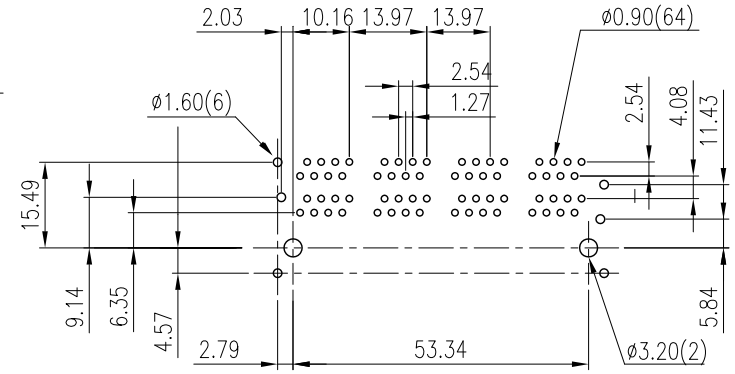
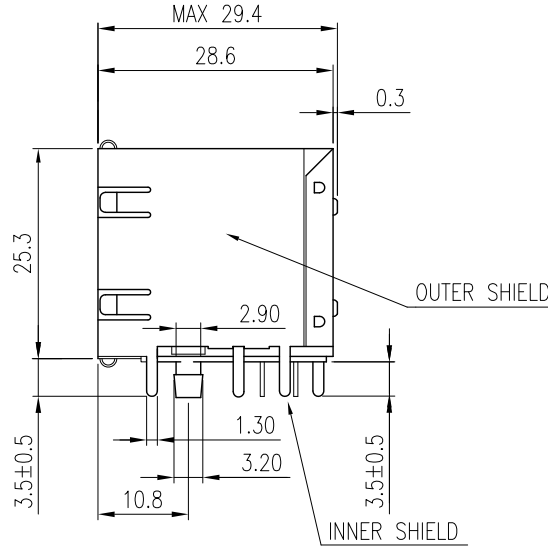
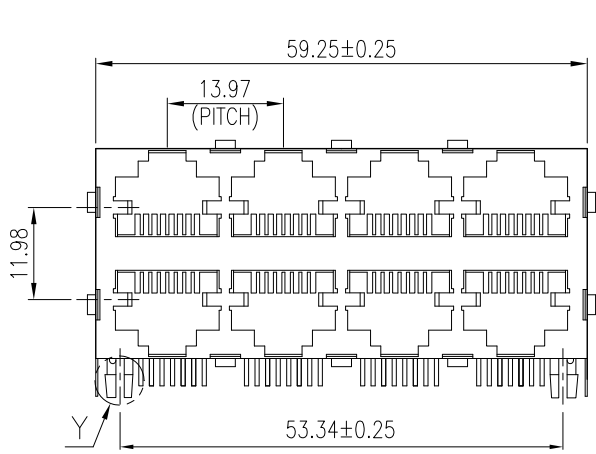


This document is the property of Amphenol Corporation and is delivered on the express condition that it is not to be disclosed, reproduced or used, in whole or in part, for manufacture or sale by anyone other than Amphenol Corporation without its prior consent, and that no right is granted to disclose or to use any information in this document.  
 The marking on this product doesn't contain environmental hazardous material per Material Specification SS-00259 for Sony GP compliant or per directive 2002/95/EC for RoHS compliant.

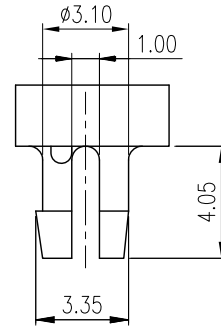
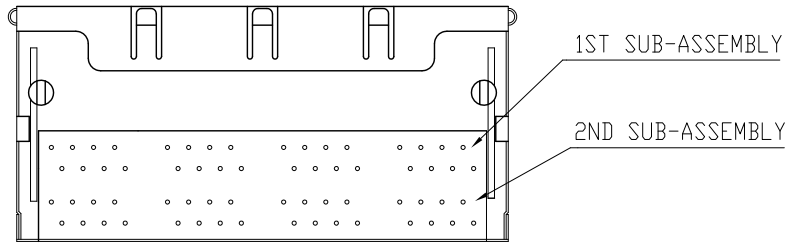
# CUSTOMER DRAWING

REVISIONS				
SYM	ECN No.	DESCRIPTION	DATE	APPROVED
AX1		UNAPPROVED REVISION	07/02/2008	Hank Hsu

**PRELIMINARY RELEASE  
SUBJECT TO CHANGE**



RECOMMENDED PCB LAYOUT



DETAIL Y

**NOTES:**

- INSULATOR: PBT WITH GLASS FIBER, UL94V-0, COLOR- BLACK
- CONTACT: PHOSPHOR BRONZE, 0.35mm THICKNESS, SELECTIVE GOLD PLATED ON CONTACT AREA, FLASH GOLD PLATED ON SOLDER TAIL
- SHIELD: COPPER ALLOY, 0.25mm THICKNESS, NICKEL PLATED
- THE PRODUCT CAN MEET IEEE802.3 STANDARD
- THIS PRODUCT DOESN'T CONTAIN ENVIRONMENTAL HAZARDOUS MATERIAL PER DIRECTIVE 2002/95/EC FOR RoHS.
- THIS PRODUCT MUST BE FOR DIP PROCESS

G71H 0005 4 00 EU	50μ"
G71H 0005 3 00 EU	30μ"
G71H 0005 2 00 EU	15μ"
G71H 0005 1 00 EU	6μ"
PART NUMBER	FINISH

TOLERANCE	m/m	APPROVALS	DATE	TITLE	Amphenol® Amphenol Corporation Amphenol Taiwan Corporation			
x.	±0.30	DRAWN <b>Sondra Sang</b>	07/02/08	G71H SERIES MULTI-PORT JACKS 2x4-PORT, SIDE ENTRY 8P8C, W/ SHIELDED	SCALE	N.A.	SHEET 1 OF 1	REV.
x.x	±0.25	CHECKED <b>Chenny Yeh</b>	07/02/08		SIZE	PART NO.	DWG NO.	AX1
x.xx	±0.15	APPROVED <b>Hank Hsu</b>	07/02/08		A4	G71H 0005 X00 EU	MJK-G71H0005X00EU-04	
x.xxx	±0.08							
ANGULAR	±2°							
UNLESS OTHERWISE SPECIFIED		UNIT MM						