

This document is the property of Amphenol Corporation and is delivered on the express condition that it is not to be disclosed, reproduced or used, in whole or in part, for manufacture or sale by anyone other than Amphenol Corporation without its prior consent, and that no right is granted to disclose or to use any information in this document.  
The marking on this product doesn't contain environmental hazardous materials per Material Specification 55-00259 for Sony GP compliant or per directive 2002/95/EC for RoHS compliant.

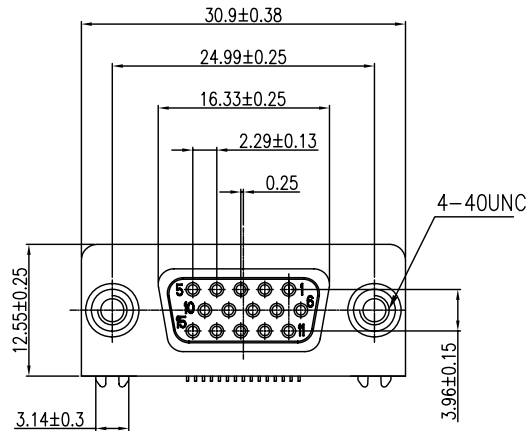


ORIGINAL

REVISIONS				
SYM	ECN No.	DESCRIPTION	DATE	APPROVED
A		RELEASE REVISION	12/24/2010	Arron Lin

NOTES:

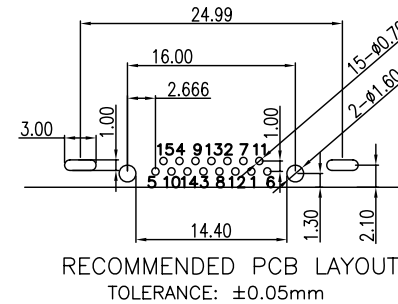
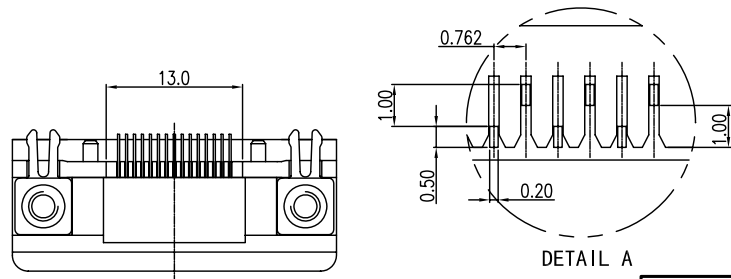
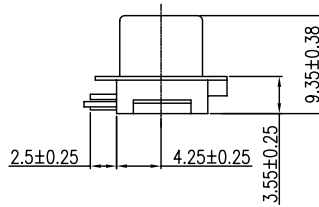
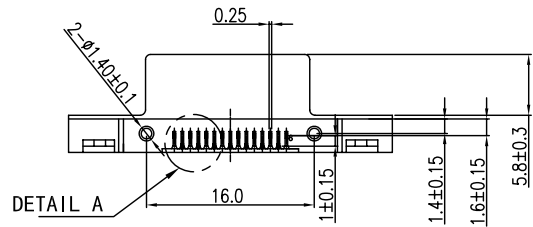
- MATERIAL:  
HOUSING: HIGH TEMPERATURE THERMAL PLASTIC, LCP, UL94V-0, COLOR: OPTION.  
TERMINAL: COPPER ALLOY.  
SHELL: SPCC.  
BOARDLOCK: SPCC.
- FINISH:  
TERMINAL:  
CONTACT AREA: SELECTED GOLD PLATING;  
SOLDERING AREA: MATTE TIN PLATING 100 μ" THICKNESS MIN.;  
UNDER PLATING: NICKEL PLATING 50 μ" THICKNESS MIN. OVERALL.  
SHELL: NICKEL PLATING 50 μ" THICKNESS MIN. OVERALL.  
BOARDLOCK:  
SOLDERING AREA: MATTE TIN PLATING 100 μ" THICKNESS MIN.;  
UNDER PLATING: NICKEL PLATING 50 μ" THICKNESS MIN. OVERALL.
- PACKING IS PER AMTA PACKING SPECIFICATION PKS-0001.
- THIS PRODUCT DOESN'T CONTAIN ENVIRONMENTAL HAZARDOUS PER DIRECTIVE 2002/95/EC FOR RoHS COMPLIANT.



PART NO. G17GH150X231XEU

CONTACT FINISH  
0: GOLD FLASH  
1: 10 μ" GOLD  
2: 15 μ" GOLD  
3: 30 μ" GOLD

COLOR OF HOUSING  
0: BLACK  
2: BLUE



TOLERANCE		APPROVALS		DATE		TITLE		PART No.	
X.		DRAWN Auqa Chou		12/24/2010		D-SUB 15 PIN, SLIM TYPE RIGHT ANGLE, HIGH DENSITY		Amphenol® Amphenol Corporation Amphenol Taiwan Corporation	
X.X	±0.30	CHECKED Roger Tsai		12/24/2010					
X.XX	±0.20	APPROVED Arron Lin		12/24/2010		UNIT mm		SIZE A3	
X.XXX	±0.10	DWG TYPE CUST DWG		PROJECT CODE DSUB		SCALE NA		SHEET 1 OF 2	
ANGULAR	±1°	UNLESS OTHERWISE SPECIFIED				PART No. G17GH150X231XEU		DWG No. G17GH150X231XEU	
								REV. A	

This document is the property of Amphenol Corporation and is delivered on the express condition that is not to be disclosed, reproduced or used, in whole or in part, for manufacture or sale by anyone other than Amphenol Corporation without its prior consent, and that no right is granted to disclose or to use any information in this document.

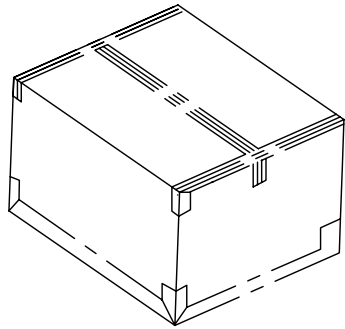
The marking on this product doesn't contain environmental hazardous materials per Material Specification 55-00259 for Sony GP compliant or per directive 2002/95/EC for RoHS compliant.



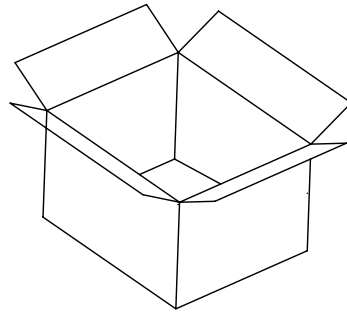
ORIGINAL



REVISIONS				
SYM	ECN No.	DESCRIPTION	DATE	APPROVED
A		RELEASE REVISION	12/24/2010	Arron Lin

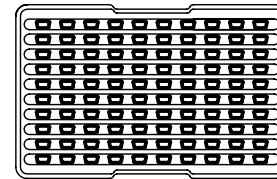
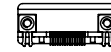


<1,000 PCS/CARTON>



<1,000PCS/10 TRAYS>

SHIPPING CARTON:  
L=370, W=240, H=150 mm



<100PCS/TRAY>

TRAY: L=360,  
W=230, H=12.5 mm

100	10	1000	6.2	4.7	BY TRAY
PCS/ TRAY	TRAYS/ BOX	QUANTITY (PCS)	G/W (Kg)	N/W (Kg)	PACKAGING

TOLERANCE X. ±0.30 X.X ±0.20 X.XX ±0.10 X.XXX ±0.10 ANGULAR ±1° UNLESS OTHERWISE SPECIFIED	APPROVALS	DATE	TITLE D-SUB 15 PIN, SLIM TYPE RIGHT ANGLE, HIGH DENSITY	Amphenol® Amphenol Corporation Amphenol Taiwan Corporation	
	DRAWN Auqa Chou	12/24/2010			
	CHECKED Roger Tsai	12/24/2010			
	APPROVED Arron Lin	12/24/2010		UNIT mm	SIZE A3
	DWG TYPE CUST DWG	PROJECT CODE DSUB		SCALE NA	SHEET 2 OF 2
				PART No. G17GH150X231XEU	REV. A
				DWG No. G17GH150X231XEU	