



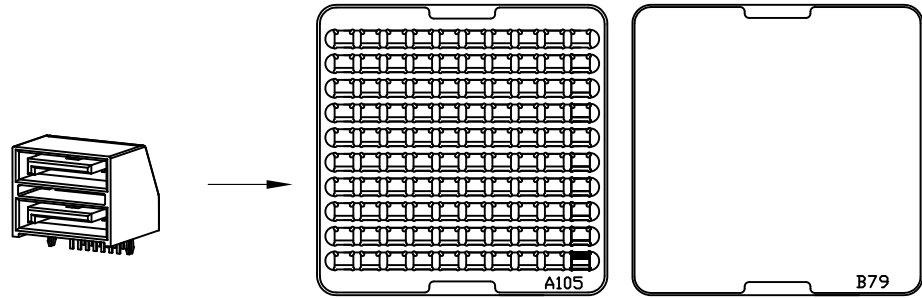
This document is the property of Amphenol Corporation and is delivered on the express condition that is not to be disclosed, reproduced or used, in whole or in part, for manufacture or sale by anyone other than Amphenol Corporation without its prior consent, and that no right is granted to disclose or to use any information in this document.

The marking on this product doesn't contain environmental hazardous materials per Material Specification 55-00259 for Sony GP compliant or per directive 2002/95/EC for RoHS compliant.

**PRELIMINARY RELEASE  
SUBJECT TO CHANGE**

REVISIONS				
SYM	ECN No.	DESCRIPTION	DATE	APPROVED
AX1		NON-RELEASE REVISION	09/06/2010	Roger Tsai

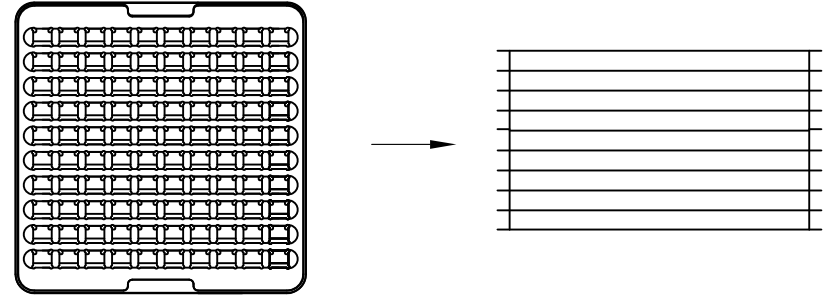
1. 1)PIC-1: PRODUCT.  
2)PIC-2: TRAY:A105 & B79



PIC-1

PIC-2

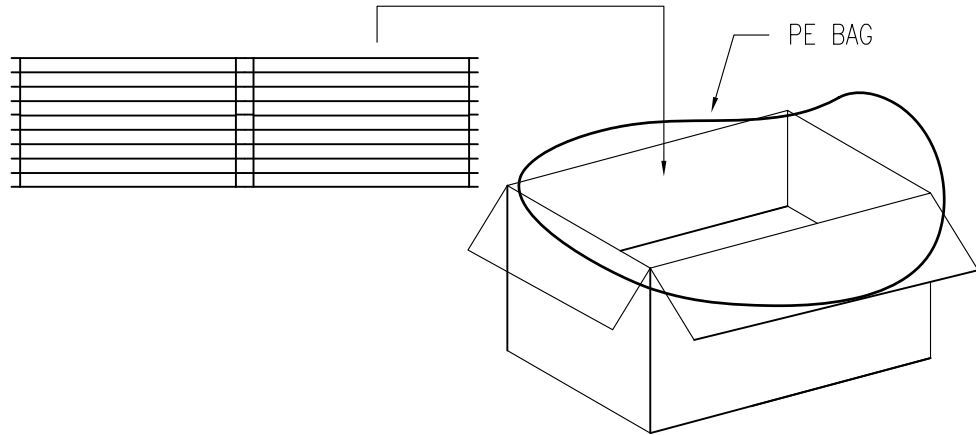
2. 1)PIC-3: 100 PCS PRODUCT/TRAY.  
2)PIC-4: 10 LAYERS.



PIC-3

PIC-4

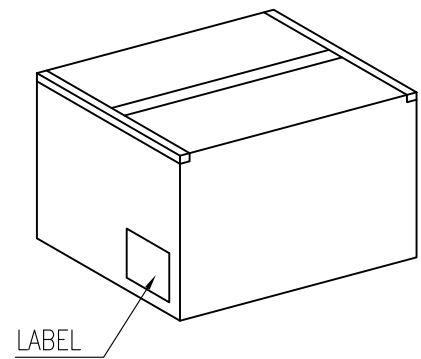
3. 1)PIC-5: CARTON: 530\*265\*200.  
2)PIC-6: 2 LAYERS \*1000PCS=2000PCS/CARTON.



PIC-5

PIC-6

4. 1)PIC-7: ENVELOP SHIPPING CARTON.



PIC-7

TOLERANCE		APPROVALS		DATE	TITLE			Amphenol®					
X.		DRAWN	Roger Tsai	09/06/2010	G16A SERIES			Amphenol Corporation					
X.X	±0.30	CHECKED	Aqua Chou	09/06/2010	SATA CONN, STACKED SIGNAL			Amphenol Taiwan Corporation					
X.XX	±0.20	APPROVED	Roger Tsai	09/06/2010	7+7- POS., MALE R/A DIP			PART No. PKS-G16A9001					
X.XXX	±0.10				TYPE PACKING			SHEET 2 OF 2					
ANGULAR	±1°				UNLESS OTHERWISE SPECIFIED			UNIT	mm	SCALE	NA	REV.	AX1
		DWG TYPE	PKS DWG	PROJECT CODE	SKT	DWG No. PKS-G16A9001							