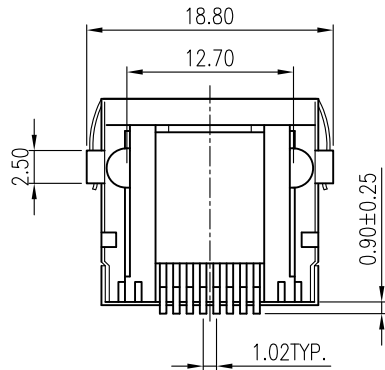
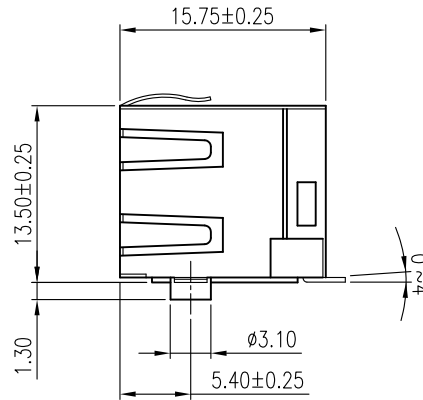
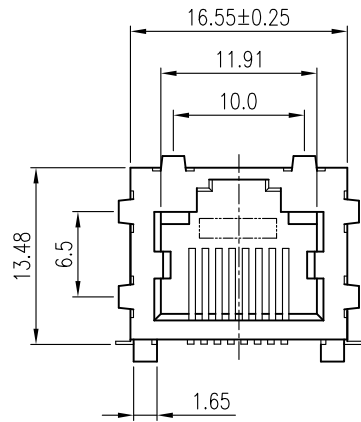
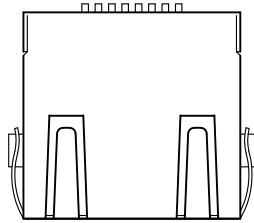


This document is the property of Amphenol Corporation and is delivered on the express condition that is not to be disclosed, reproduced or used, in whole or in part, for manufacture or sale by anyone other than Amphenol Corporation without its prior consent, and that no right is granted to disclose or to use any information in this document.

The marking on this product doesn't contain environmental hazardous materials per Material Specification SS-00259 for Sony GP compliant or per directive 2002/95/EC for RoHS compliant.

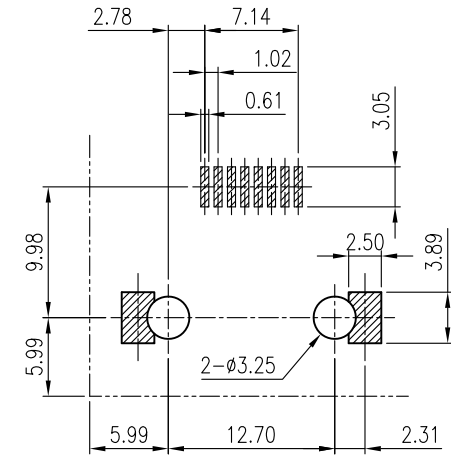
**PRELIMINARY RELEASE  
SUBJECT TO CHANGE**

REVISIONS				
SYM	ECN No.	DESCRIPTION	DATE	APPROVED
AX1		NON-RELEASE REVISION	08/19/2010	Arron Lin



**NOTES:**

- MATERIAL:  
HOUSING: HIGH TEMPERATURE THERMAL PLASTIC, PA 9T, UL94V-0, COLOR: BLACK.  
INSERT HOUSING: HIGH TEMPERATURE THERMAL PLASTIC, PA 46, UL94V-0, COLOR: BLACK.  
TERMINAL: PHOSPHOR BRONZE.
- FINISH:  
TERMINAL:  
CONTACT AREA: SELECTIVE GOLD PLATING  
SOLDERING AREA: GOLD FLASH PLATING  
UNDER PLATING: NICKEL PLATING 50 μ" THICKNESS MIN.OVERALL.
- PACKING IS PER AMTA PACKING SPECIFICATION PKS-0001.
- THIS PRODUCT DOESN'T CONTAIN ENVIRONMENTAL HAZARDOUS PER DIRECTIVE 2002/95/EC FOR RoHS COMPLIANT.



**RECOMMENDED P.C.B. LAYOUT (COMPONENT SIDE)**  
(ALL TOLERANCES ARE ±0.05)

G71B 0207 4 00 1 EU	50μ"
G71B 0207 3 00 1 EU	30μ"
G71B 0207 2 00 1 EU	15μ"
G71B 0207 1 00 1 EU	6μ"
PART NUMBER	FINISH

TOLERANCE	APPROVALS	DATE	TITLE
X. ±0.30	DRAWN Aqua Chou	08/19/2010	G71B SERIES MODULAR JACK, 8P8C R/A SMT, W/ SHIELD
X.X ±0.20	CHECKED Roger Tsai	08/19/2010	
X.XXX ±0.10	APPROVED Arron Lin	08/19/2010	
ANGULAR ±1°	DWG TYPE CUST DWG	PROJECT CODE MJK	
UNLESS OTHERWISE SPECIFIED			

		UNIT mm	SIZE A3	<b>Amphenol®</b> Amphenol Corporation Amphenol Taiwan Corporation
SCALE NA	SHEET 1 OF 1	PART No. G71B0207X001EU		
		DWG No. G71B0207X001EU	REV. AX1	