

This document is the property of Amphenol Corporation and is delivered on the express condition that it is not to be disclosed, reproduced or used, in whole or in part, for manufacture or sale by anyone other than Amphenol Corporation without its prior consent, and that no right is granted to disclose or to use any information in this document.
 The marking on this product doesn't contain environmental hazardous materials per Material Specification SS-00259 for Sony GP compliant or per directive 2002/95/EC for RoHS compliant.

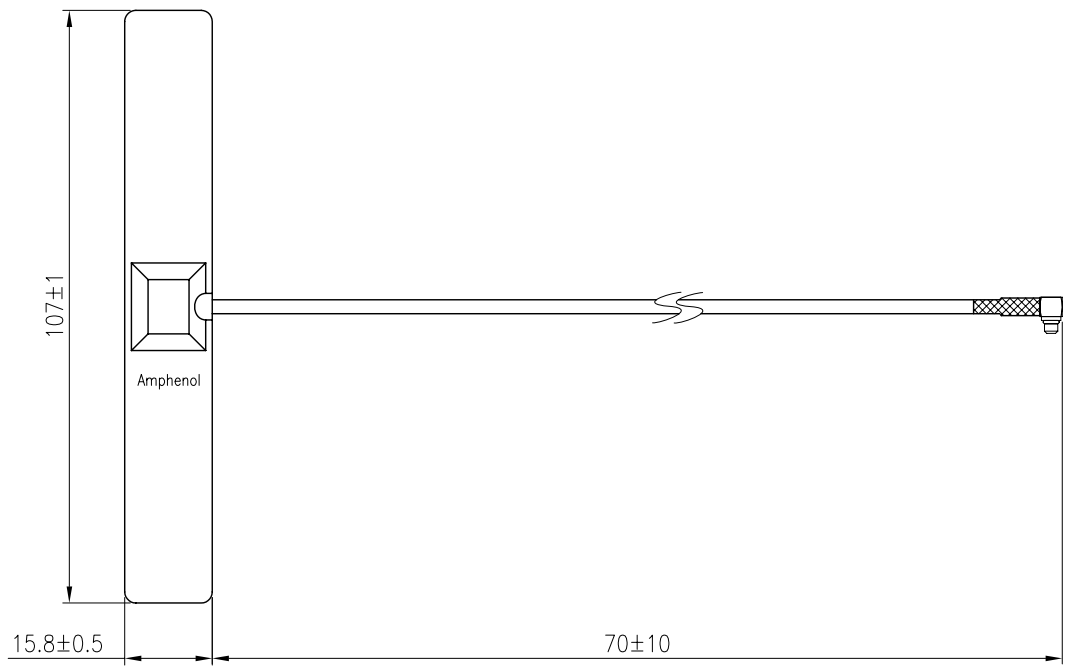


CUSTOMER DRAWING

ORIGINAL



REVISIONS				
SYM	ECN No.	DESCRIPTION	DATE	APPROVED
A		RELEASE TO THE PRODUCTION	09/01/2006	Edward Wu
B	NE-06302	CHANGED CONN FROM SMA TO MMCX R/A	09/08/2006	Edward Wu
C	NE-07857	MODIFIED DRAWING	10/16/2007	Edward Wu



NOTES:

1. CABLE GROUP: RG-174 COAXIAL CABLE, COLOR- BLACK
2. CONNECTOR: MMCX R/A PLUG CONN., GOLD PLATED
3. ANTENNA COVER: TPE/ TPU, COLOR- BLACK
4. THIS PRODUCT DOESN'T CONTAIN ENVIRONMENTAL HAZARDOUS MATERIALS PER DIRECTIVE 2002/95/EC FOR RoHS.
5. THE MINIMUM PACKAGE IS 1/EA FOR ONE PE BAG PER Amphenol PACKING SPECIFICATION PKS-0001

ELECTRICAL SPEC:

1. IMPEDANCE: 50 OHMS
2. FREQUENCY BAND:
 - 880 ~ 960 MHZ
 - 1710 ~ 1880 MHZ
 - 1880 ~ 2100 MHZ
 FOR GSM 900/GSM 1800 DCS/PCS/UMTS/CDMA
3. GAIN: 0 dB
4. V.S.W.R.: <2.0

TOLERANCE m/m	APPROVALS	DATE	TITLE		<h2 style="margin: 0;">Amphenol®</h2> <p style="margin: 0;">Amphenol Corporation Amphenol Taiwan Corporation</p>					
x. ±0.30	DRAWN		GSM FLAT ANTENNA MMCX R/A CONNECTOR 50 OHMS				SCALE	N.A.	SHEET	1
x.x ±0.25	CHECKED				UNIT	MM	SIZE	PART NO.	DWG NO.	REV.
x.xx ±0.15	APPROVED				UNLESS OTHERWISE SPECIFIED		A4	GAN 30105 EU	OTHER-GAN30105EU-29	C
x.xxx ±0.08										
ANGULAR ±2°										