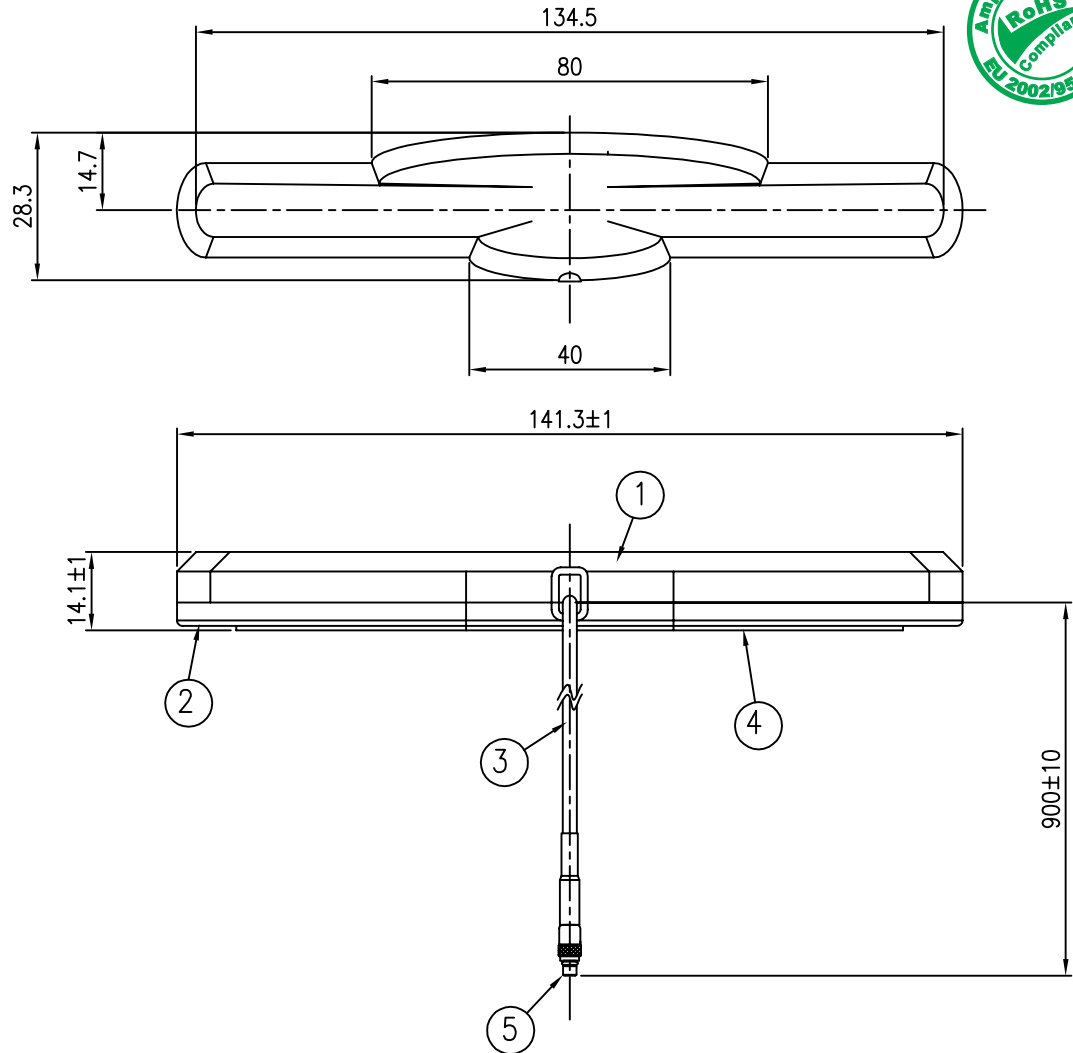
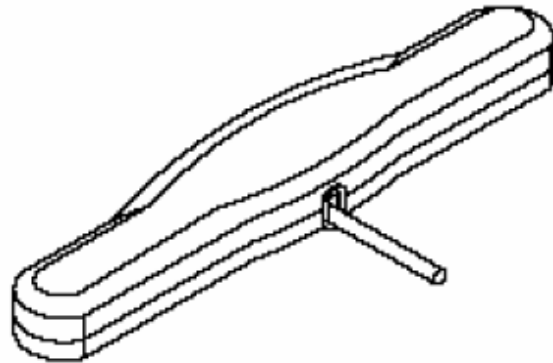


This document is the property of Amphenol Corporation and is delivered on the express condition that it is not to be disclosed, reproduced or used, in whole or in part, for manufacture or sale by anyone other than Amphenol Corporation without its prior consent, and that no right is granted to disclose or to use any information in this document.

# CUSTOMER DRAWING ORIGINAL

REVISIONS				
SYM	ECN No.	DESCRIPTION	DATE	APPROVED
A		RELEASE FOR RoHS	01/23/2007	HC Liu



NOTES:  
THIS PRODUCT DOESN'T CONTAIN ENVIRONMENTAL HAZARDOUS MATERIAL PER DIRECTIVE 2002/95/EC FOR RoHS.

ELECTRICAL SPEC:

1. IMPEDANCE: 50 OHMS
2. FREQUENCY BAND: G.S.M.= 880 ~ 960 MHZ  
1710 ~ 1880 MHZ  
1880 ~ 2100 MHZ
3. GAIN: 0 dB
4. V.S.W.R.< 2.0

NO.	DESCRIPTION	MATERIAL	Q'TY
5	MMCX CONN. STRAIGHT PLUG	BRASS	1
4	TWIN ADHESIVE		1
3	RG174/U CABLE		1
2	BASS COVER	ABS	1
1	TOP COVER	ABS	1

TOLERANCE	m/m	APPROVALS	DATE	TITLE
x.	±0.30	DRAWN XL Wu	01/23/07	GPRS ANTENNA
x.x	±0.25	CHECKED Sondra Sang	01/23/07	W/STR, MMCX CONNECTOR
x.xx	±0.15	APPROVED HC Liu	01/23/07	50 OHMS
x.xxx	±0.08			
ANGULAR	±2°			
UNLESS OTHERWISE SPECIFIED				UNIT MM

**Amphenol®**  
Amphenol Corporation  
Amphenol Taiwan Corporation

SCALE N.A. SHEET 1 OF 1

DRAWING NO. OTHER-GAN30094EU-29 REV. A

SIZE PART NO. GAN 30094 EU