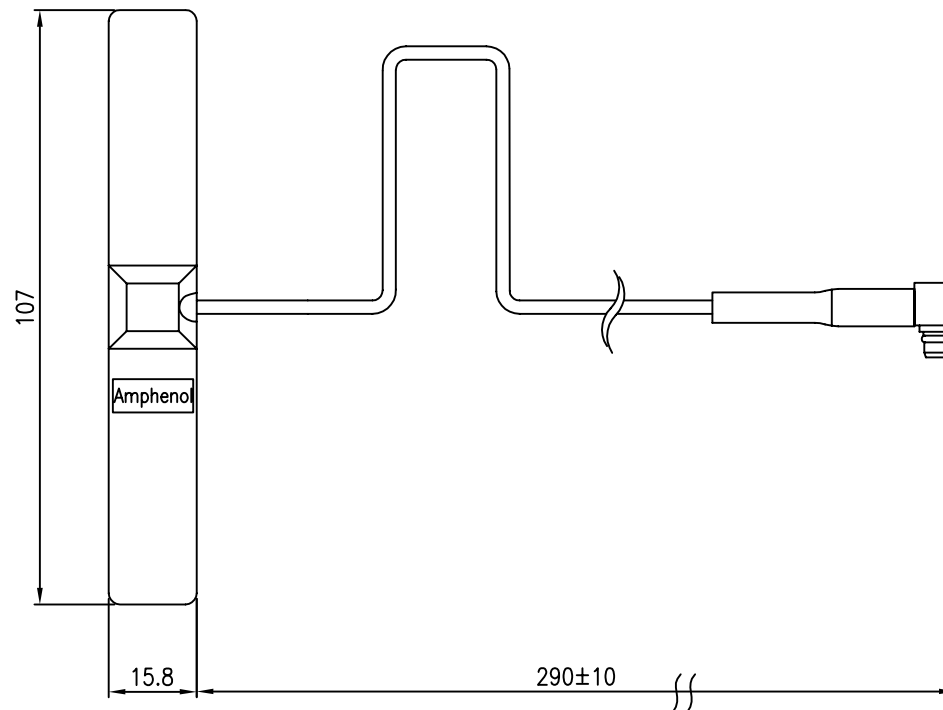
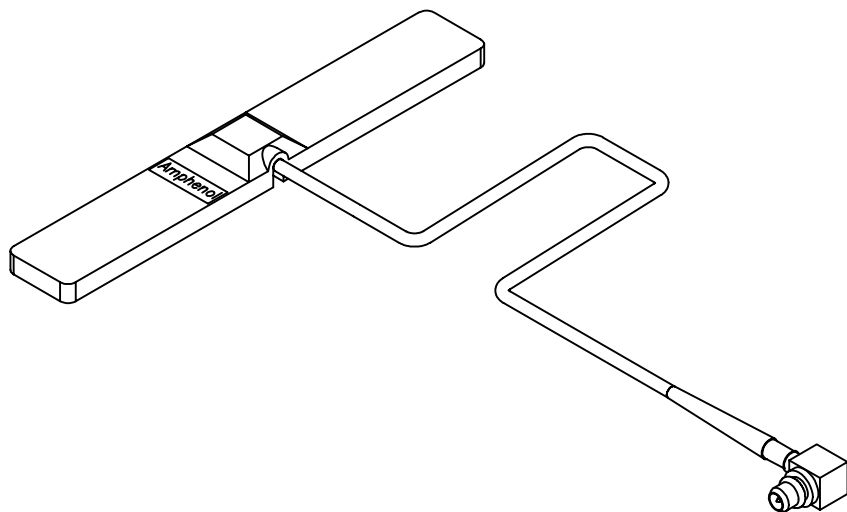


This document is the property of Amphenol Corporation and is delivered on the express condition that it is not to be disclosed, reproduced or used, in whole or in part, for manufacture or sale by anyone other than Amphenol Corporation without its prior consent, and that no right is granted to disclose or to use any information in this document.

# CUSTOMER DRAWING ORIGINAL

REVISIONS				
SYM	ECN No.	DESCRIPTION	DATE	APPROVED
A		RELRASE FOR RoHS	08/17/2006	Edward Wu



**NOTES:**

- BADY: BRASS, GOLD PLATED  
CONTACT: BERYLLIUM COPPER, 30μ" GOLD PLATED  
INSULATION: TEFLON / NATURE  
COVER: BRASS, GOLD PLATED
- CABLE: RG174U COAXIAL CABLE, COLOR- BLACK
- CONNECTOR: MMCX, R/A PLUG CONNECTOR
- SURFACE CLEANER: PDI ALCOHOL PREP PAD
- TAPER: PE FOAM
- THIS PRODUCT DOESN'T CONTAIN ENVIRONMENTAL HAZARDOUS MATERIAL PER DIRECTIVE 2002/95/EC FOR RoHS.

**ELECTRICAL SPEC:**

- IMPEDANCE: 50 OHMS
- FREQUENCY BAND: G.S.M.= 880 ~ 960 MHZ  
1710 ~ 1880 MHZ  
1880 ~ 2100 MHZ
- GAIN: 0 dB
- V.S.W.R.< 2.0

TOLERANCE	APPROVALS	DATE	TITLE	Amphenol® Amphenol Corporation Amphenol Taiwan Corporation	
x. ±0.30	DRAWN Sondra Sang	08/17/06	GSM FLAT ANTENNA	SCALE	N.A.
x.x ±0.25	CHECKED Joseph Hsu	08/17/06	TRIPLE BAND, MMCX CONNECTOR	SHEET	1 OF 1
x.xx ±0.15	APPROVED Edward Wu	08/17/06	50 OHMS	DRAWING NO.	OTHER-GAN30071EU-29
x.xxx ±0.08				REV.	A
ANGULAR ±2°					
UNLESS OTHERWISE SPECIFIED	UNIT MM	SIZE A4	PART NO. GAN 30071 EU		