

This document is the property of Amphenol Corporation and is delivered on the express condition that it is not to be disclosed, reproduced or used, in whole or in part, for manufacture or sale by anyone other than Amphenol Corporation without its prior consent, and that no right is granted to disclose or to use any information in this document.

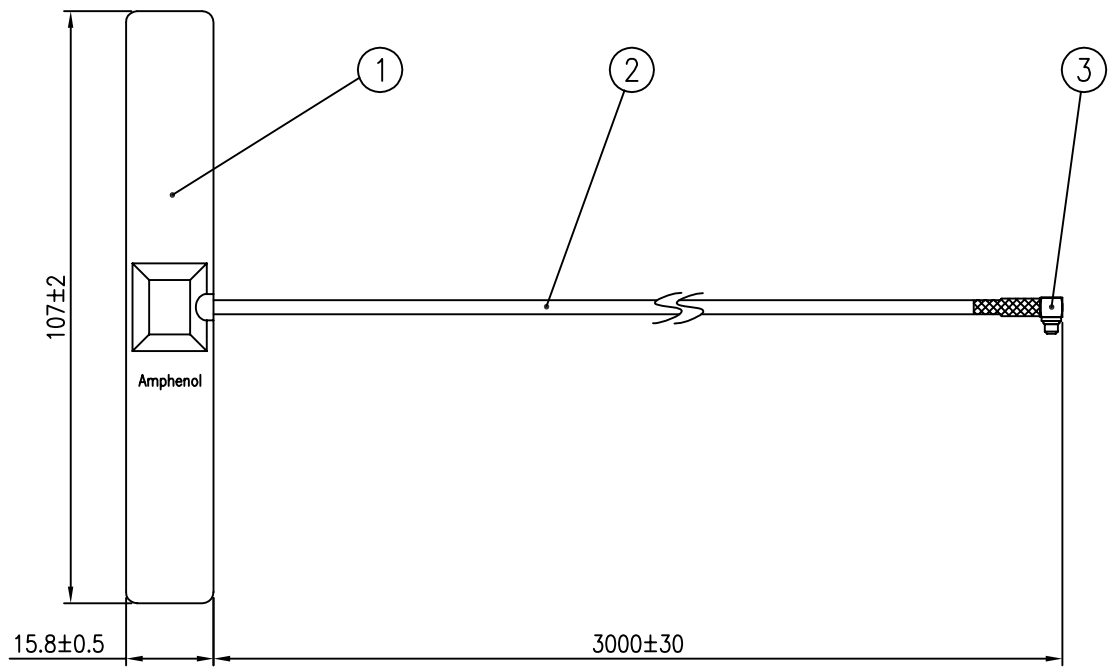
The marking on this product doesn't contain environmental hazardous materials per Material Specification SS-00259 for Sony GP compliant or per directive 2002/95/EC for RoHS compliant.



CUSTOMER DRAWING ORIGINAL



REVISIONS				
SYM	ECN No.	DESCRIPTION	DATE	APPROVED
A		RELEASE FOR RoHS	08/10/2005	Henry Ko
B	NE-07210	MODIFIED DRAWING	05/15/2007	Hank Hsu



- NOTES:
1. ANTENNA BASE: TPE/ TPU, COLOR- BLACK
 2. CABLE: RG174U COAXIAL CABLE, COLOR- BLACK
 3. CONNECTOR: MMCX PLUG CONN. GOLD PLATED
 4. THE MINIMUM PACKAGE IS ONE EA IN A PE BAG, PER Amphenol PACKING SPECIFICATION PKS-0001
 5. THIS PRODUCT DOESN'T CONTAIN ENVIRONMENTAL HAZARDOUS MATERIALS PER DIRECTIVE 2002/95/EC FOR RoHS.

ELECTRICAL SPEC:

1. IMPEDANCE: 50 OHMS
2. FREQUENCY BAND:
 - 880 ~ 960 MHZ
 - 1710 ~ 1880 MHZ
 - 1880 ~ 2100 MHZ
 - FOR GSM 900/GSM 1800 DCS/PCS/UMTS/CDMA
3. GAIN: 0 dB
4. V.S.W.R.: 2:1 Max.

TOLERANCE m/m	APPROVALS	DATE	TITLE GSM FLAT ANTENNA TRIPLE BAND, MMCX CONNECTOR 50 OHMS		 Amphenol Corporation Amphenol Taiwan Corporation		
	x. ±0.30	DRAWN Sondra Sang					05/15/07
	x.x ±0.25	CHECKED Chenny Yeh					05/15/07
	x.xx ±0.15	APPROVED Hank Hsu					05/15/07
x.xxx ±0.08	UNIT MM		SIZE A4	PART NO. GAN 30060 EU	DWG NO. OTHER-GAN30060EU-29	REV. B	
ANGULAR ±2'	UNLESS OTHERWISE SPECIFIED		SCALE N.A. SHEET 1 OF 1				