

This document is the property of Amphenol Corporation and is delivered on the express condition that it is not to be disclosed, reproduced or used, in whole or in part, for manufacture or sale by anyone other than Amphenol Corporation without its prior consent, and that no right is granted to disclose or to use any information in this document.

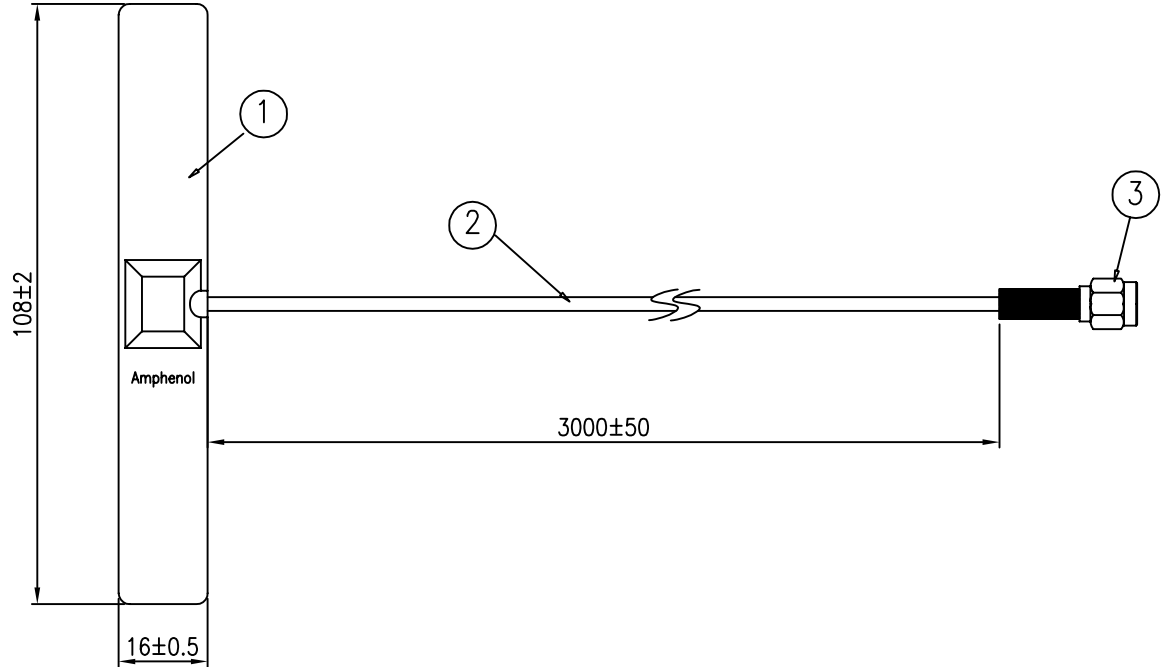
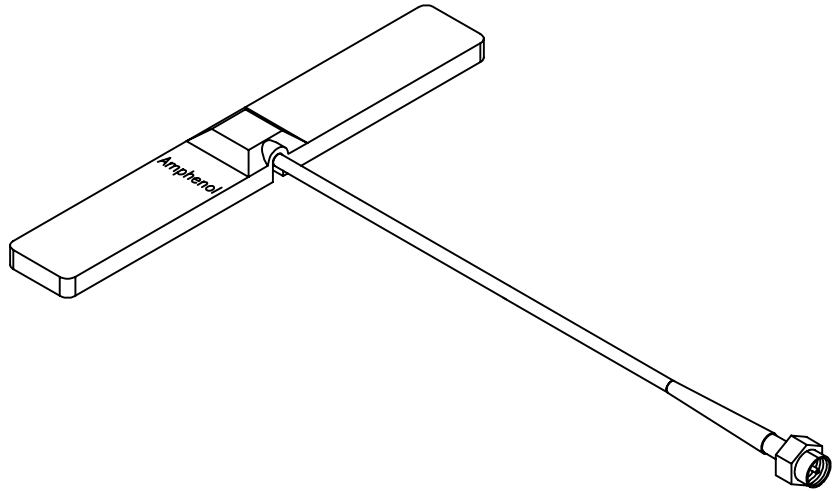


CUSTOMER DRAWING



REVISIONS				
SYM	ECN No.	DESCRIPTION	DATE	APPROVED
A		RELEASE FOR RoHS	03/12/2007	HC Liu

ORIGINAL



NOTES:

- CABLE GROUP: RG174U COAXIAL CABLE, BLACK
- CONNECTOR: SMA PLUG CONN.
BODY: BRASS, GOLD PLATED
INSULATOR: TEFLON, NATURE COLOR
CONTACT: BRASS, 5μ" GOLD PLATED
- SURFACE CLEANER: 3M VHB
- TAPER: PE FOAM
- THIS PRODUCT DOESN'T CONTAIN ENVIRONMENTAL HAZARDOUS MATERIALS PER DIRECTIVE 2002/95/EC FOR RoHS.
- PUT ONE PRODUCT INTO A PE BAG, PER AMTA PACKING SPECIFICATION PKS-0001

ELECTRICAL SPEC:

- IMPEDANCE: 50 OHMS
- FREQUENCY BAND:
880 ~ 960 MHZ
1710 ~ 1880 MHZ
1900 ~ 2170 MHZ
FOR GSM 900/GSM 1800 DCS/PCS/UMTS/CDMA
- GAIN: 0 dB
- V.S.W.R.: 1.5:1 Max.

TOLERANCE	m/m	APPROVALS	DATE	TITLE	Amphenol® Amphenol Corporation Amphenol Taiwan Corporation	
x.	±0.30	DRAWN XL Wu	03/12/07	GSM FLAT ANTENNA	SCALE	N.A.
x.x	±0.25	CHECKED Sondra Sang	03/12/07	SMA CONNECTOR	SHEET	1 OF 1
x.xx	±0.15	APPROVED HC Liu	03/12/07	50 OHMS	DRAWING NO.	OTHER-GAN30023EEU-29
x.xxx	±0.08				PART NO.	REV.
ANGULAR	±2°				GAN 30023 EEU	A
UNLESS OTHERWISE SPECIFIED			UNIT MM	SIZE A4		