

This document is the property of Amphenol Corporation and is delivered on the express condition that it is not to be disclosed, reproduced or used, in whole or in part, for manufacture or sale by anyone other than Amphenol Corporation without its prior consent, and that no right is granted to disclose or to use any information in this document.

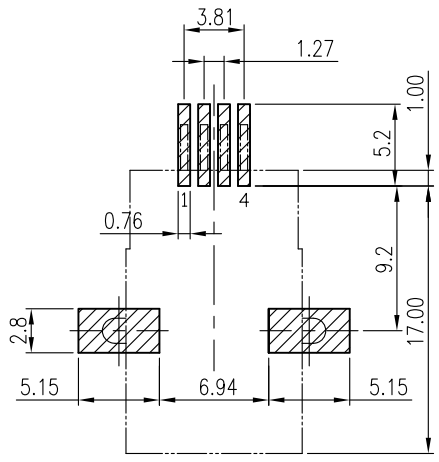
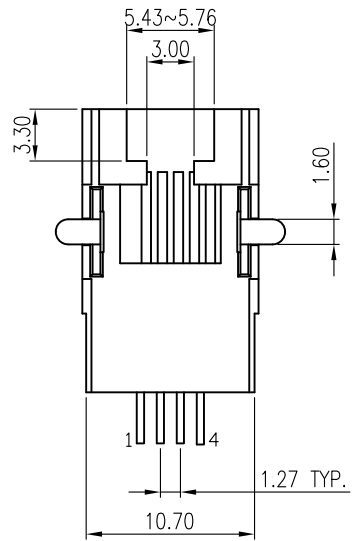
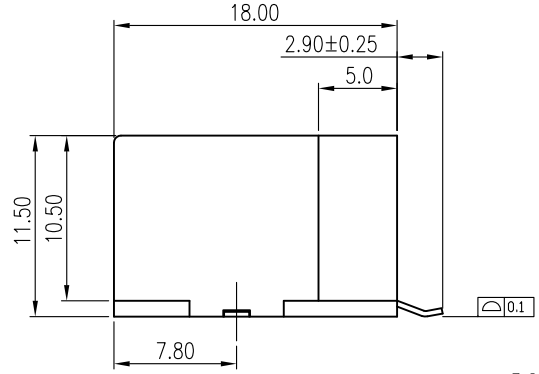
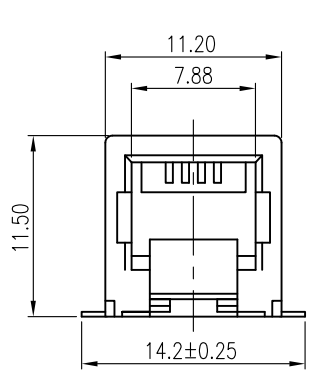
The marking on this product doesn't contain environmental hazardous materials per Material Specification 55-00259 for Sony GP compliant or per directive 2002/95/EC for RoHS compliant.

**PRELIMINARY RELEASE
SUBJECT TO CHANGE**

REVISIONS				
SYM	ECN No.	DESCRIPTION	DATE	APPROVED
AX1		UNAPPROVED REVISION	07/06/2010	Arron Lin
AX2		ADDED DIMENSION	10/25/2010	Arron Lin

NOTES:

- MATERIAL:
 - HOUSING: HIGH TEMPERATURE THERMO PLASTIC PA9T UL94V-0
COLOR: BLACK
 - INSERT HOUSING: HIGH TEMPERATURE THERMO PLASTIC,
NYLON46 UL94V-0, COLOR: BLACK
 - CONTACTS: PHOSPHOR BRONZE
 - HOLD DOWN: COPPER ALLOY
- FINISH:
 - CONTACTS:
 - CONTACT AREA: SELECTIVE GOLD PLATED.
 - SOLDERING AREA: GOLD FLASH PLATED.
 - UNDER PLATING: NICKEL PLATED. 50 μ" THICKNESS MIN.
 - HOLD DOWN: MATTE TIN PLATED 100 μ" THICKNESS MIN.
- PACKING IS PER AMTA PACKING SPECIFICATION PKS-0001.
- THIS PRODUCT DOESN'T CONTAIN ENVIRONMENTAL HAZARDOUS PER DIRECTIVE 2002/95/EC FOR RoHS COMPLIANT.



RECOMMENDED PCB LAYOUT
ALL TOLERANCE ±0.05

G71D 0097 4 00 EU	50μ"
G71D 0097 3 00 EU	30μ"
G71D 0097 2 00 EU	15μ"
G71D 0097 1 00 EU	6μ"
PART NUMBER	FINISH

TOLERANCE	APPROVALS	DATE	TITLE	UNIT	SIZE	PART No.
X. ±0.30	DRAWN Aqua Chou	10/25/2010	MODULAR JACK 4P4C, SIDE ENTRY, SMT TYPE	mm	A3	G71D0097X00EU
X.X ±0.20	CHECKED Roger Tsai	10/25/2010				
X.XX ±0.10	APPROVED Arron Lin	10/25/2010				
ANGULAR ±1°	DWG TYPE CUST DWG	PROJECT CODE MJK				
UNLESS OTHERWISE SPECIFIED			UNIT mm	SCALE NA	SHEET 1 OF 1	DWG No. G71D0097X00EU
						REV. AX2

Amphenol[®]
Amphenol Corporation
Amphenol Taiwan Corporation