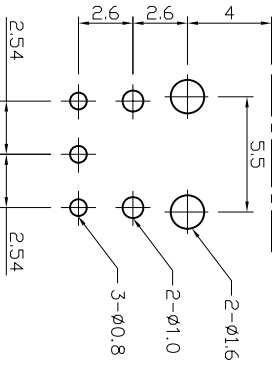


This document is the property of Amphenol Corporation and is delivered on the express condition that it is not to be disclosed, reproduced or used, in whole or in part, for manufacture or sale by anyone other than Amphenol Corporation without its prior consent, and that no right is granted to disclose or to use any information in this document.

The marking on this product doesn't contain environmental hazardous materials per Material Specification SS-00259 for Sony GP compliant or per directive 2002/95/EC for RoHS compliant.

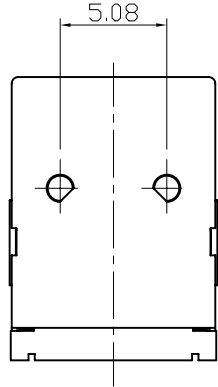
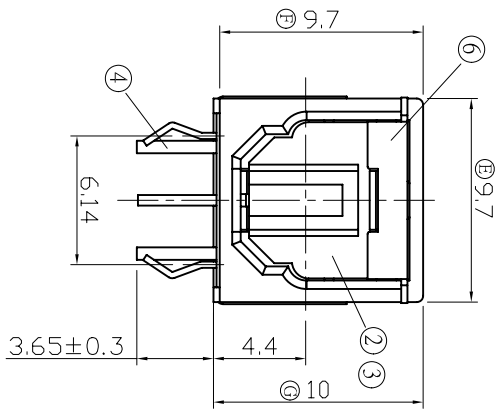
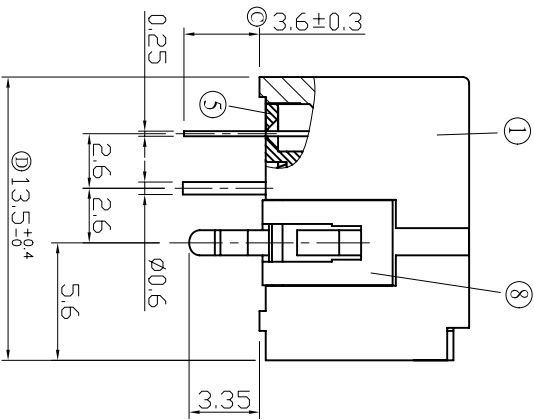
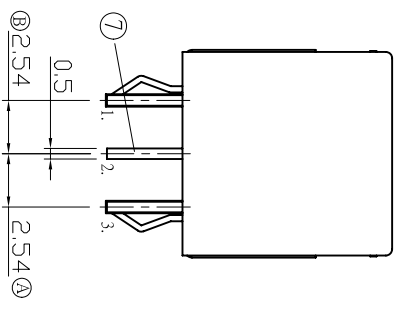
REV	ECN No.	DESCRIPTION	DATE	APPROVED



PCB LAYOUT (TOLERANCES ±0.1)

Pin Function

1. GND
2. Vcc
3. Vin



NO	PART NAME	MATERIAL	FINISH
1.	HOUSING	PBT(BLACK)	—
2.	SHUTTER	PBT(GRAY)	—
3.	SPRING	SUS304	—
4.	Fix Pole	PHOSPHOR BRONZE	Sn Plating
5.	LED Cover	PBT(BLACK)	—
6.	FOIL	SPCC	Blackening
7.	LED Terminal	—	Sn Plating(PIN)
8.	SHIELD	PHOSPHOR BRONZE	Sn Plating

TOLERANCE	APPROVALS	DATE	TITLE
X. X.X X.XX X.XXX	BKAW Roger Tsoi	04/27/2010	G20A SERIES FIBER OPTIC TRANSMITTER, R/A PCB MOUNT KINK TYPE (16Mb/s)
ANGULAR ±1°	CHECKED Daniel Hsieh	04/27/2010	
UNLESS OTHERWISE SPECIFIED	APPROVED Hank Hsu	04/27/2010	
	DWG TYPE CUST DWG	PROJECT CODE BHD	

Amphenol®

Amphenol Corporation
Amphenol Taiwan Corporation

Part No. G20A03017EU

REV. AX0

1 2 3 4 5 6 7 8

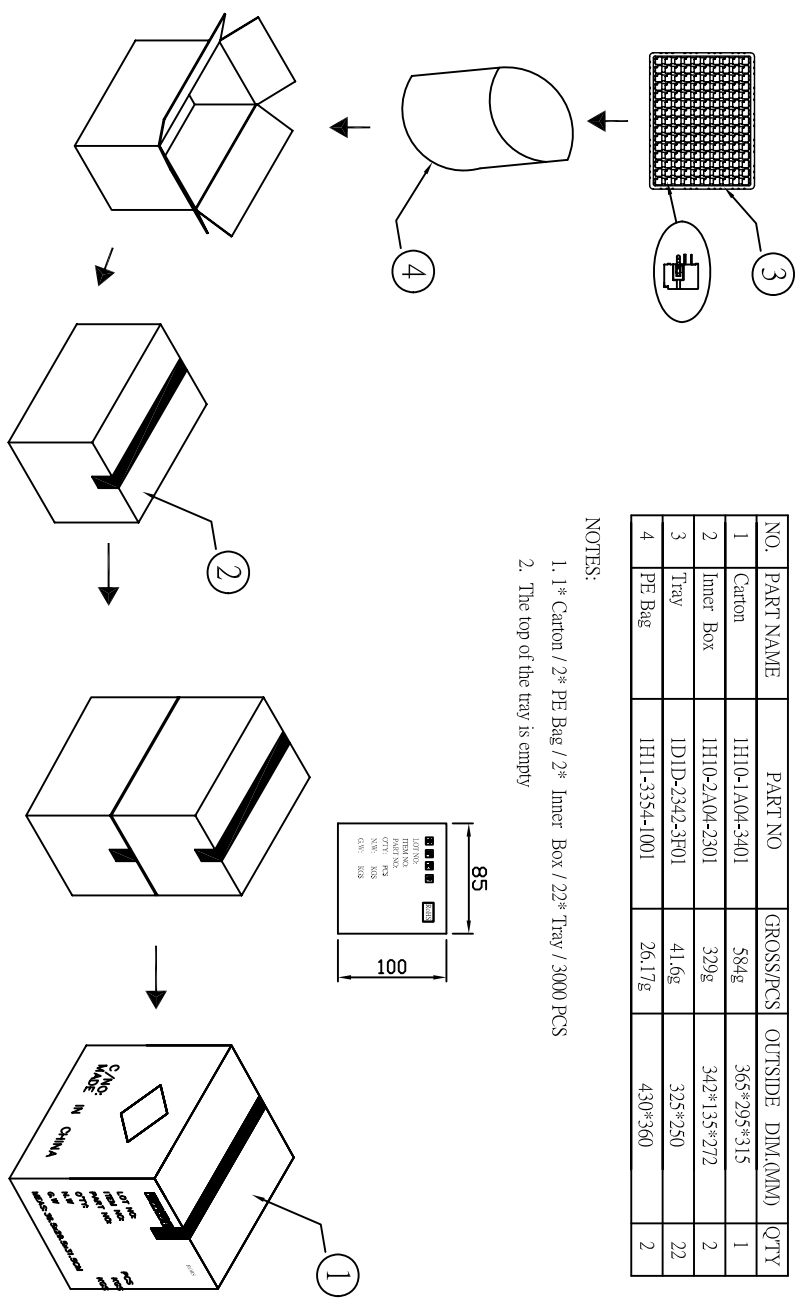
This document is the property of Amphenol Corporation and is delivered on the express condition that it is not to be disclosed, reproduced or used, in whole or in part, for manufacture or sale by anyone other than Amphenol Corporation without its prior consent, and that no right is granted to disclose or to use any information in this document.
 The marking on this product doesn't contain environmental hazardous materials per Material Specification SS-00259 for Sony GP compliant or per directive 2002/95/EC for REHS compliant.

REVISIONS	DATE	APPROVED
SWM	EON No.	DESCRIPTION

NO.	PART NAME	PART NO.	GROSS/PCS	OUTSIDE DIM.(MM)	QTY
1	Carton	IH10-1A04-3401	584g	365*295*315	1
2	Inner Box	IH10-2A04-2301	329g	342*135*272	2
3	Tray	ID1D-2342-3F01	41.6g	325*250	22
4	PE Bag	IH11-3354-1001	26.17g	430*360	2

NOTES:

- 1 * Carton / 2* PE Bag / 2* Inner Box / 22* Tray / 3000 PCS
2. The top of the tray is empty



TOLERANCE	APPROVALS	DATE	TITLE	UNIT	SIZE	PART No.
X, X.X X.XX X.XXX	DRAWN Roger Tsai	04/27/2010	G20A SERIES FIBER OPTIC TRANSMITTER, R/A PCB MOUNT KINK TYPE (16Mb/s)	mm	A3	Amphenol Corporation Amphenol Taiwan Corporation
ANGULAR ±1°	CHECKED Daniel Hsieh	04/27/2010		SCALE NA	SHEET 1 OF 1	DWG No. G20A03017EU
UNLESS OTHERWISE SPECIFIED	APPROVED Hank Hsu	04/27/2010				REV. AX0
	DWG TYPE CUST DWG	PROJECT CODE BHD				

Amphenol®

Amphenol Corporation
Amphenol Taiwan Corporation

G20A03017EU

REV.
AX0