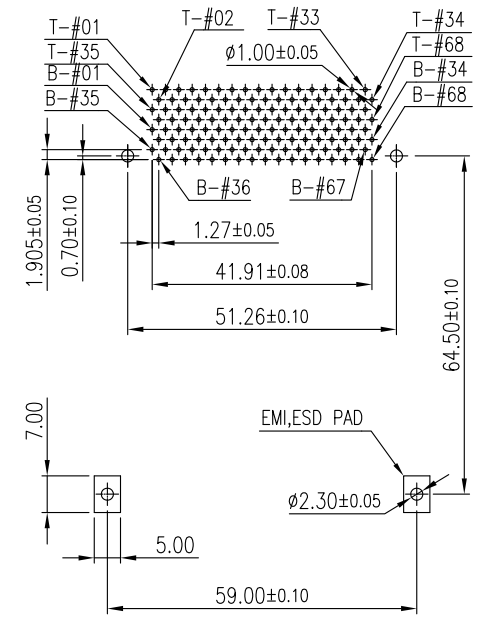
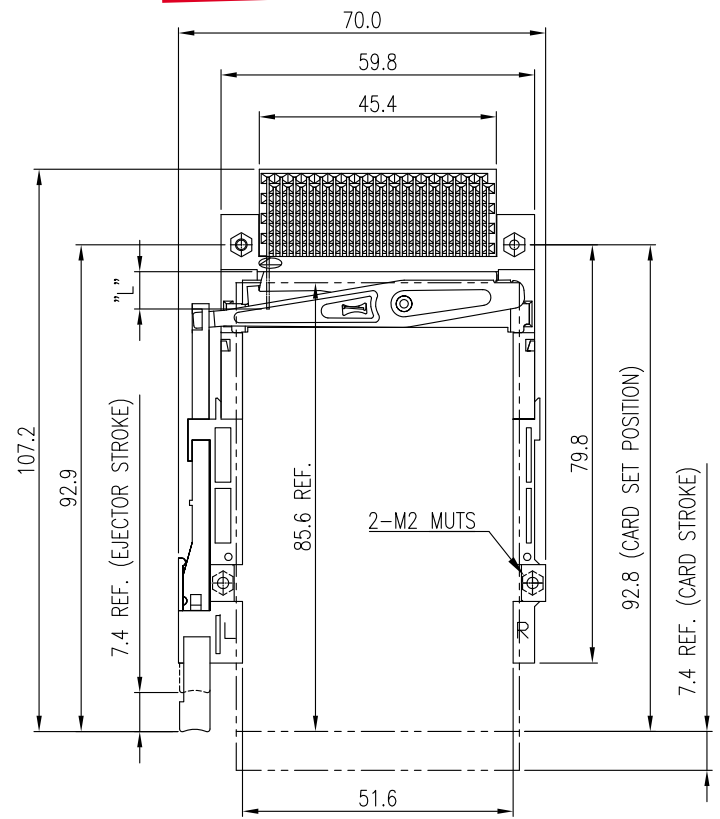
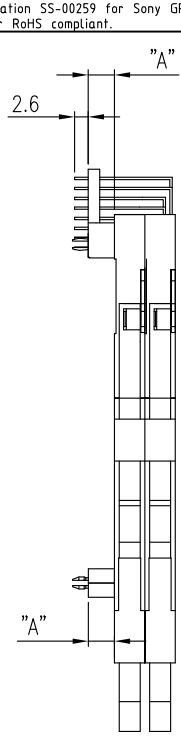


PRELIMINARY RELEASE
SUBJECT TO CHANGE

REVISIONS				
SYM	ECN No.	DESCRIPTION	DATE	APPROVED
AX1		NON-RELEASE REVISION	06/23/2010	Roger Tsai
AX2		ADD EJECTOR STROKE DIMENSION	06/25/2010	Roger Tsai
AX3		MODIFIED DIMENSION	06/28/2010	Roger Tsai
AX4		MODIFIED PCB LAYOUT DIMENSION: 52.07-->51.26mm	07/09/2010	Roger Tsai



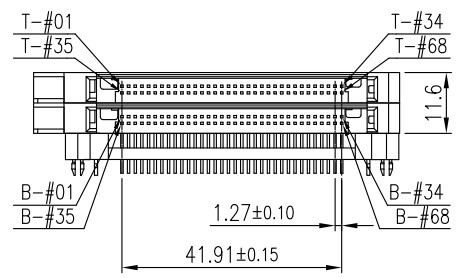
RECOMMENDED HOLE PATTERN

PART NO. G659BEU3X2X0F3

- CONTACT FINISH — STAND-OFF "A"
- O: GOLD FLASH
 - 1: 30 μ" GOLD
 - 2: 15 μ" GOLD
 - 5: 5.0 MM
 - 6: 2.2 MM
 - B: 3.0 MM
 - C: 4.0 MM
 - D: 5.5 MM

NOTES:

- MATERIAL:
HOUSING: HIGH TEMPERATURE THERMAL PLASTIC PBT, UL 94V-0, COLOR: BLACK.
TERMINAL: BRASS.
- FINISH:
TERMINAL:
CONTACT AREA: SELECTED GOLD PLATING THICKNESS MIN;
SOLDERING AREA: TIN PLATING 100 μ" THICKNESS MIN;
UNDER PLATING NICKEL PLATING 100 μ" THICKNESS MIN OVERALL.
- PACKING IS PER AMP PACKING SPECIFICATION PKS-0001.
- THIS PRODUCT DOESN'T CONTAIN ENVIRONMENTAL HAZARDOUS MATERIALS PER DIRECTIVE 2002/95/EC FOR RoHS.



PIN TYPE	DIM. L	PIN NUMBER
DETECT	3.50	36, 67
GENERAL	4.25	ALL OTHER PINS
POWER	5.00	1, 17, 34, 35, 51, 68

TOLERANCE	APPROVALS	DATE	TITLE		Amphenol®	
X. ±0.30	DRAWN Roger Tsai	07/09/2010	CARD BUS CONNCTOR 68 POS., 1.27 PITCH, DUAL DECK, R/A, W/ EJECTOR, W/O COVER		Amphenol Corporation Amphenol Taiwan Corporation	
X.X ±0.20	CHECKED Aqua Chou	07/09/2010				
X.XX ±0.10	APPROVED Roger Tsai	07/09/2010				
X.XXX ±0.10	DWG TYPE CUST DWG	PROJECT CODE OTHER	UNIT mm	SIZE A3	PART No. G659BEU3X2X0F3	
ANGULAR ±1°			SCALE NA	SHEET 1 OF 1	DWG No. G659BEU3X2X0F3	
UNLESS OTHERWISE SPECIFIED					REV. AX4	