

PRELIMINARY RELEASE
SUBJECT TO CHANGE

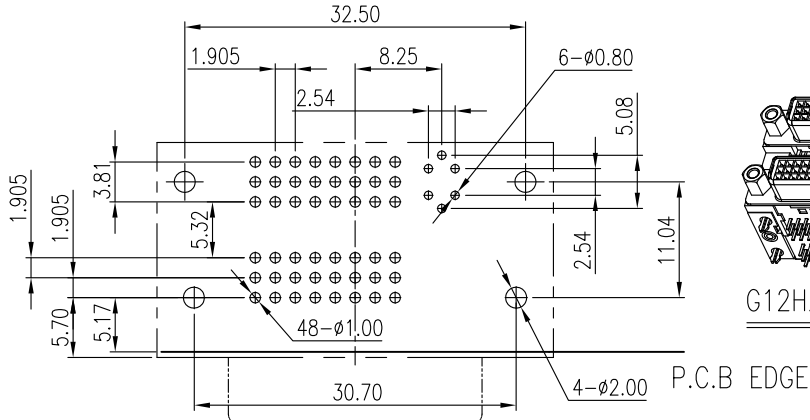
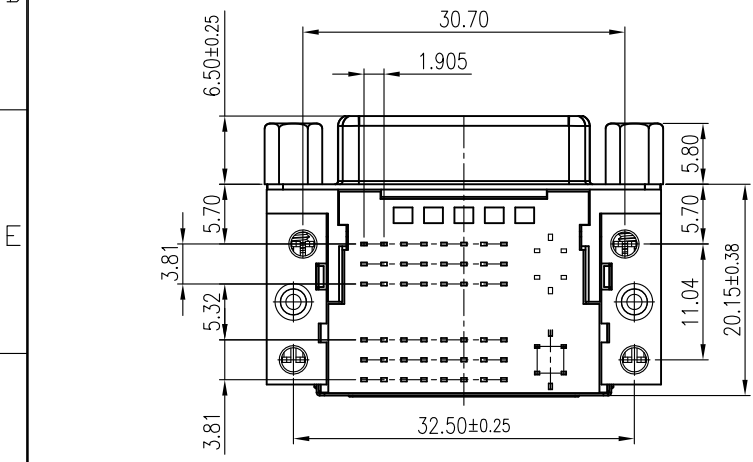
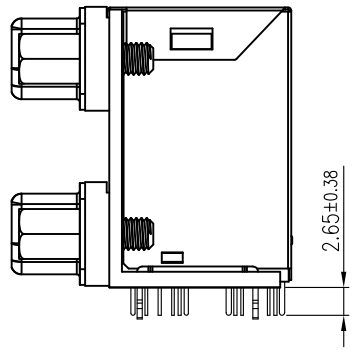
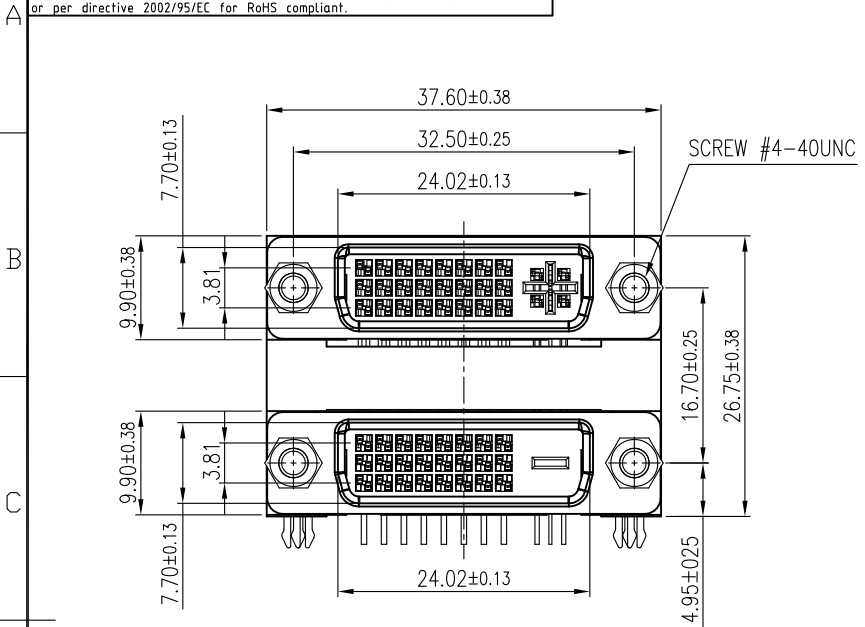
REVISIONS				
SYM	ECN No.	DESCRIPTION	DATE	APPROVED
AX1		NON-RELEASE REVISION	06/23/2010	Roger Tsai

PART NO. G12H212X21XEU

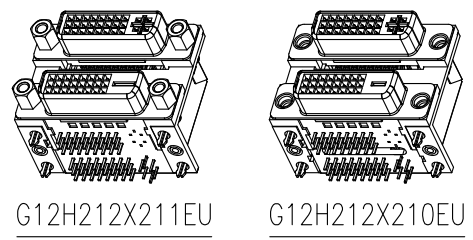
CONTACT FINISH	SCREW OPTION
0: GOLD FLASH	0: WITHOUT
1: 15 μ" GOLD	1: WITH
2: 30 μ" GOLD	

NOTES:

1. MATERIAL:
 - TOP HOUSING: HIGH TEMPERATURE THERMAL PLASTIC, PBT, UL94V-0, COLOR: BLUE.
 - BOTTOM HOUSING: HIGH TEMPERATURE THERMAL PLASTIC, PBT, UL94V-0, COLOR: IVORY.
 - TERMINAL: COPPER ALLOY.
 - SHELL: SPCC.
 - SHIELD: STAINLESS STEEL.
 - BOARDLOCK: COPPER ALLOY.
 - BRACKET: ZINC ALLOY.
 - SCREW: COPPER ALLOY.
2. FINISH:
 - TERMINAL: CONTACT AREA: SELECTED GOLD PLATING;
 - SOLDERING AREA: TIN PLATING 100 μ" THICKNESS MIN.;
 - UNDER PLATING: NICKEL PLATING 50 μ" THICKNESS MIN. OVERALL.
 - SHELL & BOARDLOCK & BRACKET & SCREW: NICKEL PLATING 50 μ" THICKNESS MIN. OVERALL.
3. PACKING IS PER AMTA PACKING SPECIFICATION PKS-0001.
4. THIS PRODUCT DOESN'T CONTAIN ENVIRONMENTAL HAZARDOUS PER DIRECTIVE 2002/95/EC FOR RoHS COMPLIANT.



RECOMMENDED P.C.B. LAYOUT (TOLERANCE:±0.05 mm)



TOLERANCE	APPROVALS	DATE	TITLE		<div style="font-size: 2em; font-weight: bold;">Amphenol®</div> Amphenol Corporation Amphenol Taiwan Corporation			
X. ±0.30 X.X ±0.20 X.XX ±0.10 X.XXX ±0.10	DRAWN Roger Tsai CHECKED Aqua Chou APPROVED Roger Tsai	06/23/2010 06/23/2010 06/23/2010	DIGITAL VISUAL INTERFACE STACKED, DVI-I / DVI-D FEMALE, RIGHT ANGLE TYPE					
ANGULAR ±1°	DWG TYPE CUST DWG	PROJECT CODE SKT		UNIT mm	SIZE A3	PART No.	G12H212X21XEU	
UNLESS OTHERWISE SPECIFIED				SCALE NA	SHEET 1 OF 1	DWG No.	G12H212X21XEU	
						REV.	AX1	