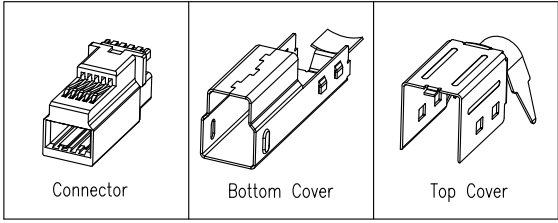


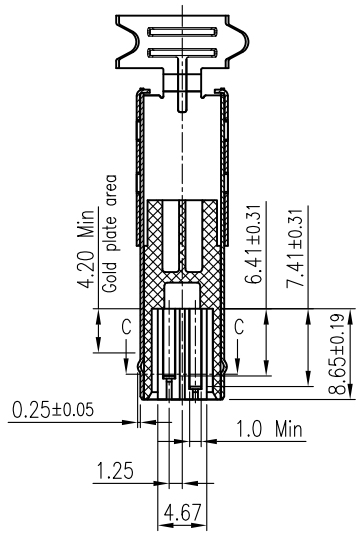
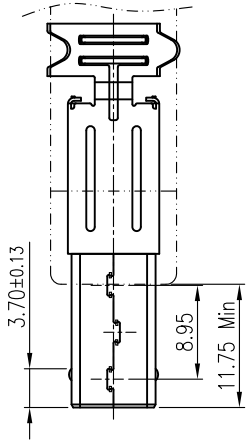
This document is the property of Amphenol Corporation and is delivered on the express condition that is not to be disclosed, reproduced or used, in whole or in part, for manufacture or sale by anyone other than Amphenol Corporation without its prior consent, and that no right is granted to disclose or to use any information in this document.

The marking on this product doesn't contain environmental hazardous materials per Material Specification 55-00259 for Sony GP compliant or per directive 2002/95/EC for RoHS compliant.

REVISIONS				
SYM	ECN No.	DESCRIPTION	DATE	APPROVED
AX1		NON-RELEASE REVISION	06/18/2010	Roger Tsai
AX2		ADDED PACKAGING DRAWING	06/25/2010	Arron Lin



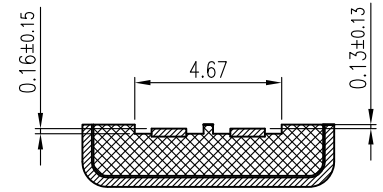
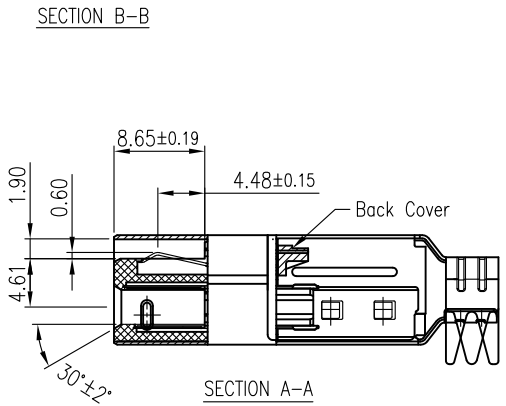
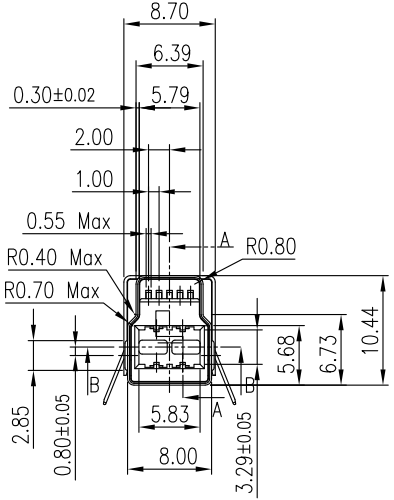
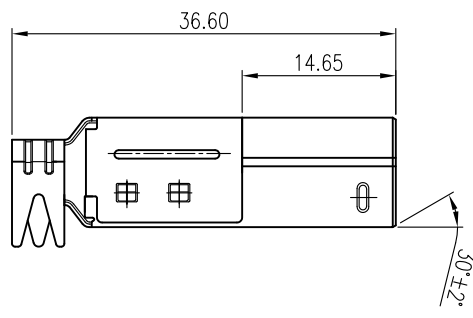
Pin Number	Signal Name
1	VBUS
2	D-
3	D+
4	GND
5	StdB_SSTX-
6	StdB_SSTX+
7	GND-DRAIN
8	StdB_SSRX-
9	StdB_SSRX+



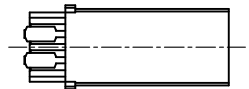
**NOTES:**

- MATERIAL:**  
 HOUSING: HIGH TEMPERATURE THERMAL PLASTIC, PBT, UL94V-0, COLOR: OPTION.  
 TERMINAL A (5P): PHOSPHOR BRONZE.  
 TERMINAL B (4P): BRASS  
 SHELL: SPCC-CQ1.
- FINISH:**  
 TERMINAL A & TERMINAL B:  
 CONTACT AREA: SELECTED GOLD PLATING;  
 SOLDERING AREA: TIN PLATING 100 μ" THICKNESS MIN.;  
 UNDER PLATING: NICKEL PLATING 50 μ" THICKNESS MIN. OVERALL.  
 SHELL:  
 NICKEL PLATING 50 μ" THICKNESS MIN. OVERALL.
- THIS PRODUCT DOESN'T CONTAIN ENVIRONMENTAL HAZARDOUS PER DIRECTIVE 2002/95/EC FOR RoHS COMPLIANT.**

PART NO. GSB3271XXWEU  
 CONTACT FINISH | COLOR  
 1: GOLD FLASH | 1: BLUE  
 2: 5 μ" GOLD | 3: BLACK  
 3: 30 μ" GOLD



SECTION C-C  
SCALE 3:1



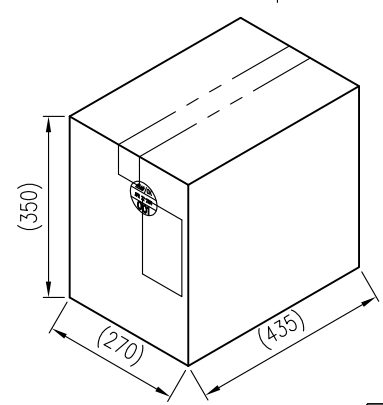
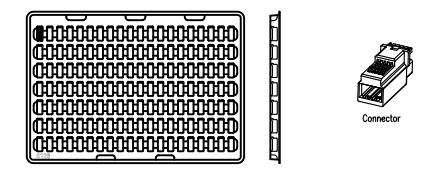
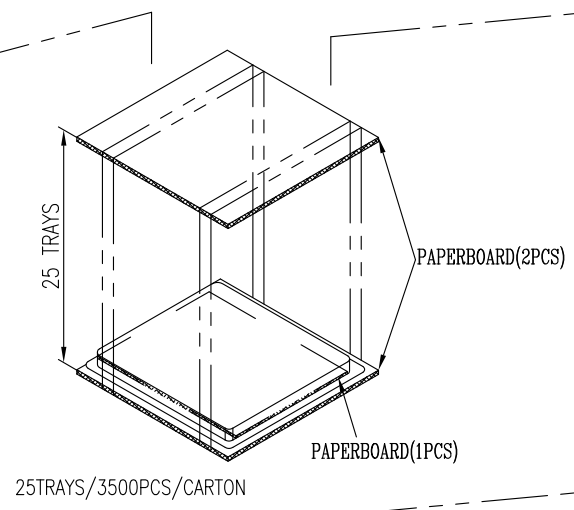
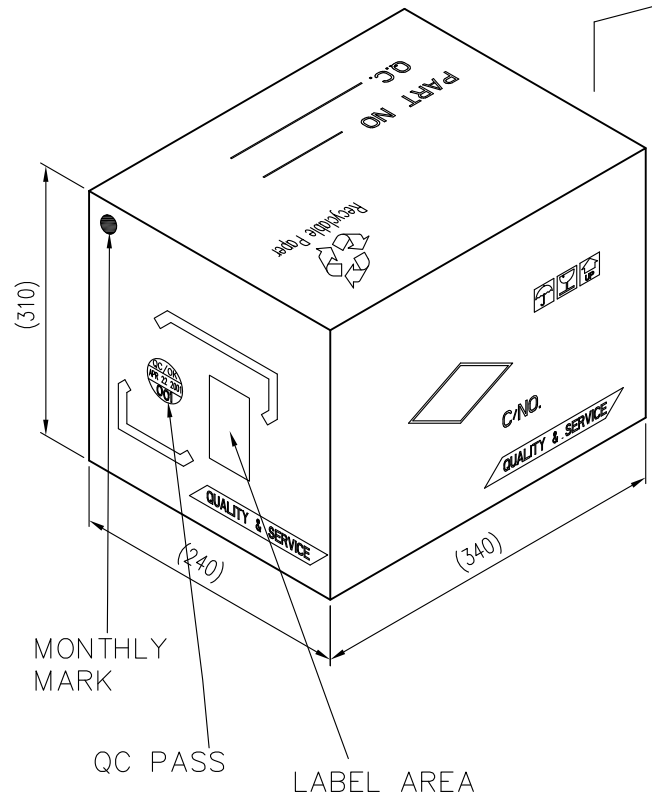
**PRELIMINARY RELEASE  
SUBJECT TO CHANGE**

TOLERANCE		APPROVALS		DATE	TITLE	Amphenol® Amphenol Corporation Amphenol Taiwan Corporation			
X.		DRAWN	Aqua Chou	06/25/2010	USB 3.0 B TYPE PLUG, CABLE MOUNT	UNIT mm	SIZE A3	PART No.	GSB3271XXWEU
X.X	±0.30	CHECKED	Roger Tsai	06/25/2010				DWG No.	GSB3271XXWEU
X.XX	±0.20	APPROVED	Arron Lin	06/25/2010	UNLESS OTHERWISE SPECIFIED	SCALE	NA	SHEET	1 OF 2
X.XXX	±0.10	DWG TYPE	CUST DWG	PROJECT CODE		OTHER			

This document is the property of Amphenol Corporation and is delivered on the express condition that is not to be disclosed, reproduced or used, in whole or in part, for manufacture or sale by anyone other than Amphenol Corporation without its prior consent, and that no right is granted to disclose or to use any information in this document.

The marking on this product doesn't contain environmental hazardous materials per Material Specification 55-00259 for Sony GP compliant or per directive 2002/95/EC for RoHS compliant.

REVISIONS				
SYM	ECN No.	DESCRIPTION	DATE	APPROVED
AX1		NON-RELEASE REVISION	06/18/2010	Roger Tsai
AX2		ADDED PACKAGING DRAWING	06/25/2010	Arron Lin



140	25	3500	XXX	XXX	GSB3271XXWEU
PCS/TRAY	TRAYS/BOX	QUANTITY (PCS)	G/W (Kg)	N/W (Kg)	PART NUMBER

**PRELIMINARY RELEASE  
SUBJECT TO CHANGE**

TOLERANCE	APPROVALS	DATE	TITLE		Amphenol® Amphenol Corporation Amphenol Taiwan Corporation	
X. ±0.30	DRAWN Aqua Chou	06/25/2010	USB 3.0 B TYPE PLUG, CABLE MOUNT		PART No. GSB3271XXWEU	
X.X ±0.20	CHECKED Roger Tsai	06/25/2010			REV. AX2	
X.XXX ±0.10	APPROVED Arron Lin	06/25/2010			DWG No. GSB3271XXWEU	
ANGULAR ±1°	DWG TYPE CUST DWG	PROJECT CODE OTHER	UNIT mm	SCALE NA	SIZE A3	SHEET 2 OF 2
UNLESS OTHERWISE SPECIFIED						