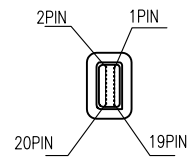


This document is the property of Amphenol Corporation and is delivered on the express condition that is not to be disclosed, reproduced or used, in whole or in part, for manufacture or sale by anyone other than Amphenol Corporation without its prior consent, and that no right is granted to disclose or to use any information in this document.

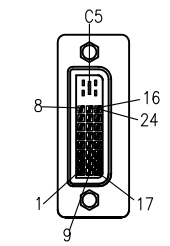
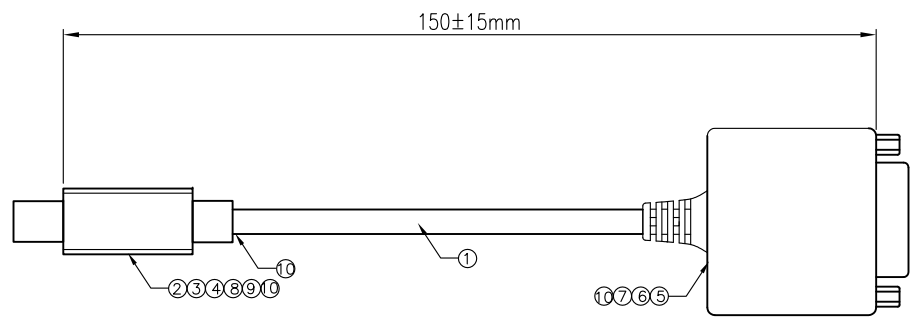
The marking on this product doesn't contain environmental hazardous materials per Material Specification 55-00259 for Sony GP compliant or per directive 2002/95/EC for RoHS compliant.

REVISIONS				
SYM	ECN No.	DESCRIPTION	DATE	APPROVED
AX1		NON-RELEASE REVISION	06/10/2010	Roger Tsai

PRELIMINARY RELEASE
SUBJECT TO CHANGE

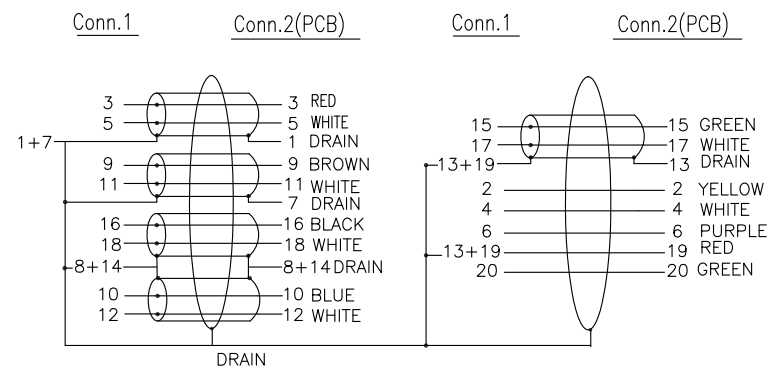


Conn.1 Mini Display Port



Conn.2 DVI24+5 Female

Pin Assignment



Features:

1. Support Mini DisplayPort 1.1a input and DVI output.
2. Support DVI highest video resolution 1080p.
3. Support DVI 225MHz/2.25Gbps per channel (6.75Gbps all channel) bandwidth.
4. Support DVI 12bit per channel (36bit all channel) deep color.
5. Powered from Mini DisplayPort source.

ITEM	DESCRIPTION	Q'TY	UNIT
10	S.R. MOLDING 45P PVC MPS, COLOR: WHITE	10	g
9	MINI DISPLAY PORT ABS DOWN WHITE INSULATION	1	PCS
8	MINI DISPLAY PORT ABS UP WHITE INSULATION	1	PCS
7	DVI ABS DOWN WHITE INSULATION	1	PCS
6	DVI ABS UP WHITE INSULATION	1	PCS
5	MINI DISPLAY PORT TO DVI BLANK PCB+SMT	1	PCS
4	MINI DISPLAY PORT M BACK SHELL NICKEL PLATING	1	PCS
3	MINI DISPLAY PORT M FRONT SHELL NICKEL PLATING	1	PCS
2	MINI DISPLAY PORT M INSULATION: WHITE , PIN GOLD PLATING WITH PCB	1	PCS
1	UL20276 [32AWG(7/0.08TC)*1P+D+AL+MYLAR]*5+32AWG(7/0.08TC)*5C +AL/MY+D.W+BD+JACKET PVC COLOR: WHITE OD: 4.8±0.2 mm	0.15	m

TOLERANCE		APPROVALS		DATE	TITLE		Amphenol® Amphenol Corporation Amphenol Taiwan Corporation				
X.		DRAWN	Roger Tsai	06/10/2010	MINI DISPLAY PORT MALE TO DVI FEMALE ADAPTER		PART No. G46B23001EU				
X.X	±0.30	CHECKED	Aqua Chou	06/10/2010							
X.XX	±0.20	APPROVED	Roger Tsai	06/10/2010	UNIT mm SCALE NA		SIZE A3 SHEET 1 OF 1		DWG No. G46B23001EU REV. AX1		
X.XXX	±0.10	DWG TYPE	CUST DWG	PROJECT CODE							OTHER
ANGULAR ±1°		UNLESS OTHERWISE SPECIFIED									