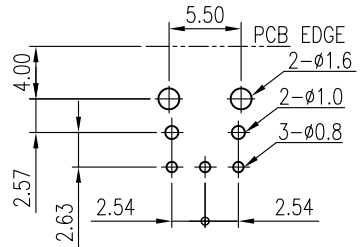
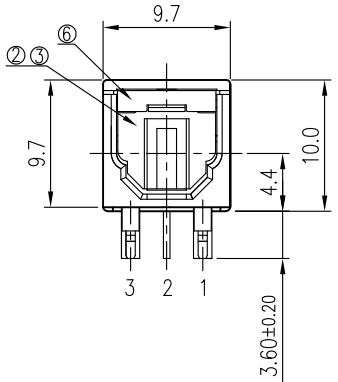
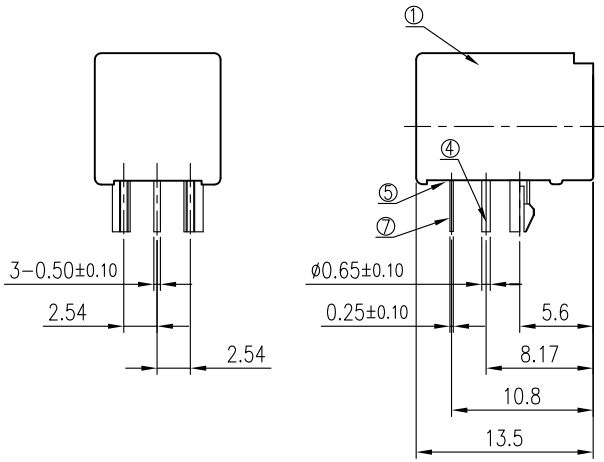
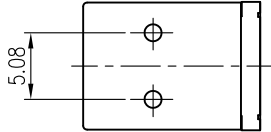


This document is the property of Amphenol Corporation and is delivered on the express condition that it is not to be disclosed, reproduced or used, in whole or in part, for manufacture or sale by anyone other than Amphenol Corporation without its prior consent, and that no right is granted to disclose or to use any information in this document.

The marking on this product doesn't contain environmental hazardous materials per Material Specification SS-00259 for Sony GP compliant or per directive 2002/95/EC for RoHS compliant.

**PRELIMINARY RELEASE
SUBJECT TO CHANGE**

REVISIONS				
SYM	ECN No.	DESCRIPTION	DATE	APPROVED
AX1		NON-RELEASE REVISION	05/04/2010	Roger Tsai



PIN FUNCTION
#1. GND
#2. Vcc
#3. Vin

NOTES:

1. MATERIAL & FINISH:

ITEM	DESCRIPTION	MATERIAL & FINISH	Q'TY
1	HOUSING	PBT, UL 94V-0, COLOR- BLACK	1
2	SHUTTER	PBT, UL 94V-0, COLOR- GRAY	1
3	SPRING	SUS304	1
4	FIX POLE	SPHOSPHOR BRONZE, BRIGHT TIN PLATIE	2
5	COVER	PBT, UL 94V-0, COLOR- GRAY	1
6	FOIL	SPCC	1
7	OPTIC COMPONENT	NT-300, SPHOSPHOR BRONZE, BRIGHT TIN PLATED	1

- 2. PRODUCT SPECIFICATION REFER TO : PS-7400.
- 3. TEST SUMMARY REFER TO : TS-7400-XXX.
- 4. PACKING IS PER AMTA PACKING SPECIFICATION PKS-0001.
- 5. THIS PRODUCT IS LEAD-FREE & RoHS COMPLIANT PRODUCT.

RECOMMENDED PCB LAYOUT
(ALL TOLERANCE ARE ±0.05 MM)
(SUBTRATE THICKNESS: 1.60 MM)

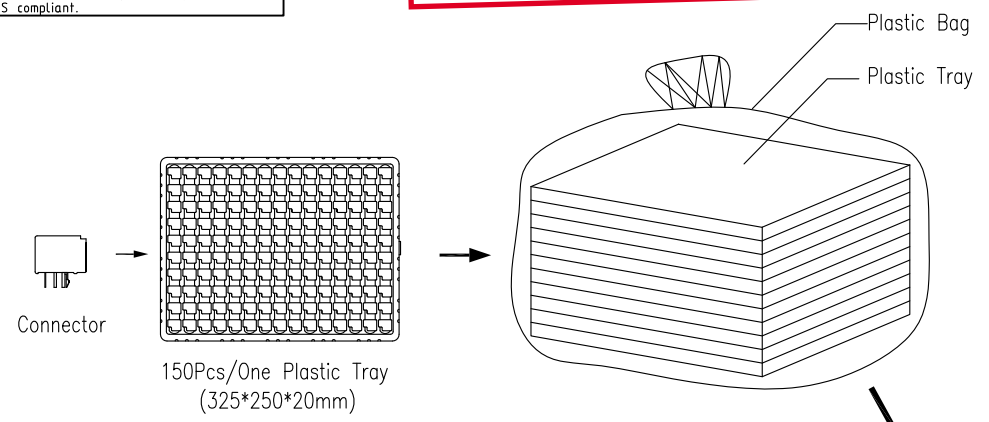
TOLERANCE	APPROVALS	DATE	TITLE	Amphenol® Amphenol Corporation Amphenol Taiwan Corporation				
X. ±0.30	DRAWN Roger Tsai	05/04/2010	G20A SERIES FIBER OPTIC TRANSMITTER R/A PCB MOUNT (16Mb/s)	UNIT mm	SIZE A3	PART No. G20A03011TEU		
X.X ±0.20	CHECKED Chenny Yeh	05/04/2010				SCALE NA	SHEET 1 OF 2	DWG No. G20A03011TEU
X.XXX ±0.10	APPROVED Roger Tsai	05/04/2010						REV. AX1
ANGULAR ±1°	DWG TYPE CUST DWG	PROJECT CODE OPT						
UNLESS OTHERWISE SPECIFIED								

PRELIMINARY RELEASE
SUBJECT TO CHANGE

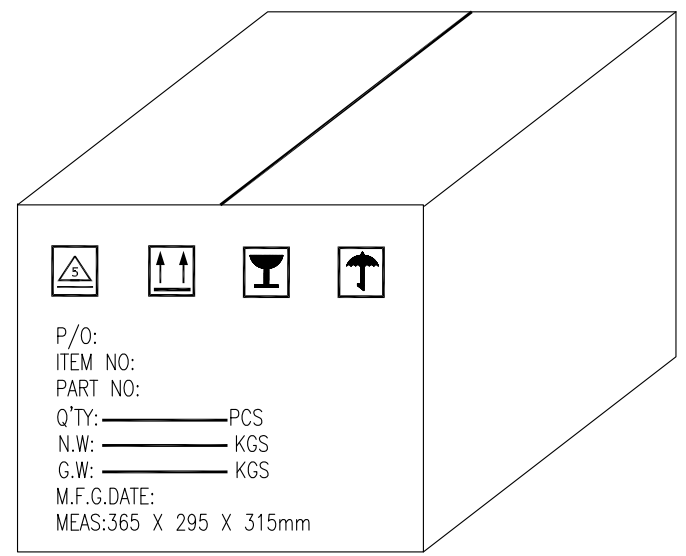
This document is the property of Amphenol Corporation and is delivered on the express condition that is not to be disclosed, reproduced or used, in whole or in part, for manufacture or sale by anyone other than Amphenol Corporation without its prior consent, and that no right is granted to disclose or to use any information in this document.

The marking on this product doesn't contain environmental hazardous materials per Material Specification 55-00259 for Sony GP compliant or per directive 2002/95/EC for RoHS compliant.

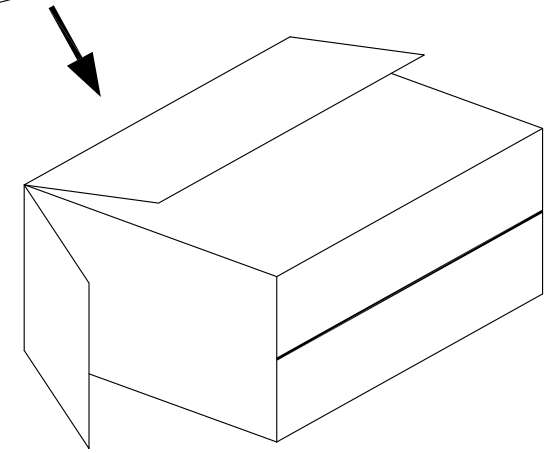
REVISIONS				
SYM	ECN No.	DESCRIPTION	DATE	APPROVED
AX1		NON-RELEASE REVISION	05/04/2010	Roger Tsai



ITEM	QUANTITY	TOTAL	SIZE (L X W XH)
TRAY	150 PCS	150 PCS	325 X 250 X 20 MM
INNER BOX	11 TRAY/INNER BOX	1500PCS	342 X 272 X 140 MM
OUTER BOX	2 INNER BOX/OUTER BOX	3000PCS	365 X 295 X 315 MM



2Pcs Inner/ One Outer Box
(3000Pcs)
(365*295*315mm)



TOLERANCE		APPROVALS		DATE	TITLE		Amphenol®								
X.		DRAWN	Roger Tsai	05/04/2010	G20A SERIES FIBER OPTIC TRANSMITTER R/A PCB MOUNT (16Mb/s)		Amphenol Corporation Amphenol Taiwan Corporation PART No. G20A03011TEU								
X.X	±0.30	CHECKED	Chenny Yeh	05/04/2010											
X.XX	±0.20	APPROVED	Roger Tsai	05/04/2010											
X.XXX	±0.10	UNLESS OTHERWISE SPECIFIED		DWG TYPE	CUST DWG	PROJECT CODE	OPT	UNIT	mm	SIZE	A3	DWG No.	G20A03011TEU	REV.	AX1
ANGULAR	±1°							SCALE	NA	SHEET	2 OF 2				