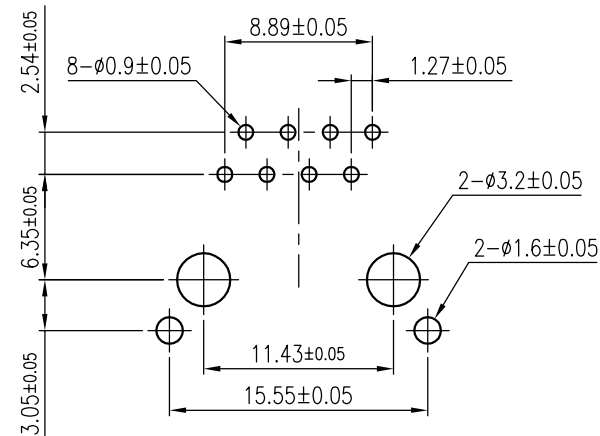
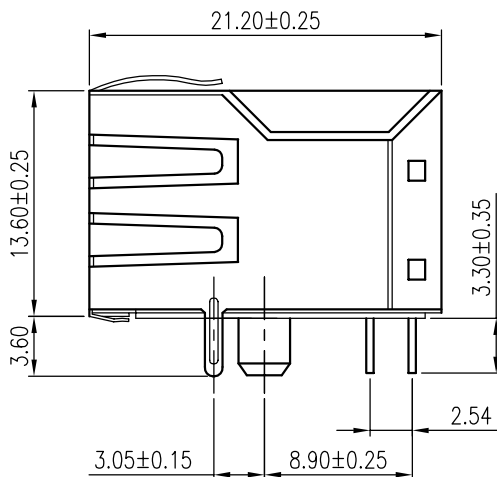
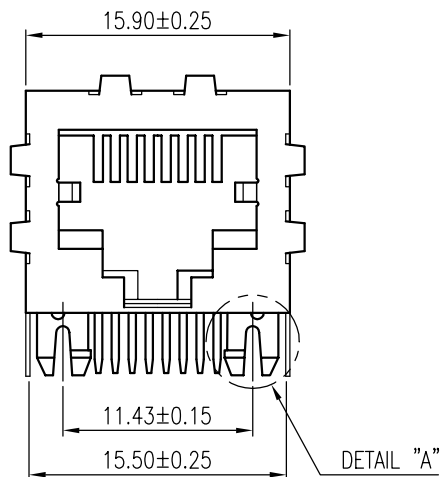


This document is the property of Amphenol Corporation and is delivered on the express condition that it is not to be disclosed, reproduced or used, in whole or in part, for manufacture or sale by anyone other than Amphenol Corporation without its prior consent, and that no right is granted to disclose or to use any information in this document.

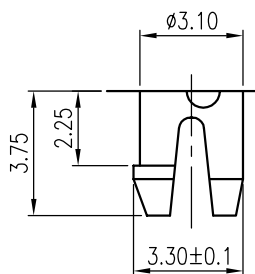
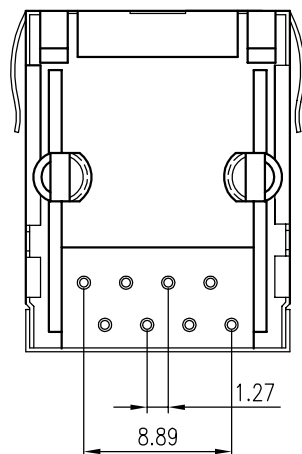
CUSTOMER DRAWING

ORIGINAL

REVISIONS				
SYM	ECN No.	DESCRIPTION	DATE	APPROVED
A		RELEASE FOR RoHS	06/30/2005	Henry Ko



RECOMMENDED PCB LAYOUT



DETAIL "A"



NOTES:

- INSULATOR: PBT, UL 94V-0, COLOR- BLACK
- CONTACTS: PHOSPHOR BRONZE, ∅0.45 MM DIAMETER, SELECTIVE FULL GOLD PLATED
- SHIELDED: COPPER ALLOY, NICKEL PLATED
- THIS PRODUCT DOESN'T CONTAIN ENVIRONMENTAL HAZARDOUS MATERIAL PER DIRECTIVE 2002/95/EC FOR RoHS.
- JUST FOR DIP PROCESS

G71B 0074 4 EU	50μ"
G71B 0074 3 EU	30μ"
G71B 0074 2 EU	15μ"
G71B 0074 1 EU	6μ"
PART NUMBER	FINISH

TOLERANCE m/m	APPROVALS	DATE	TITLE	SCALE N.A. SHEET 1 OF 1	
x. ±0.30	DRAWN <input checked="" type="checkbox"/> Sondra Sang	06/30/05	G71B SERIES MODULAR JACK, 8P8C SIDE ENTRY, PCB MOUNT W/ SHIELD & GROUNDING	DRAWING NO. MJK-G71B0074XEU-04	
x.x ±0.25	CHECKED <input type="checkbox"/> Laura Su	06/30/05		REV. A	
x.xx ±0.15	APPROVED <input type="checkbox"/> Ken Lin for	06/30/05			
x.xxx ±0.08					
ANGULAR ±2°			SIZE A3	PART NO. G71B 0074X EU	
UNLESS OTHERWISE SPECIFIED		UNIT MM			