

This document is the property of Amphenol Corporation and is delivered on the express condition that is not to be disclosed, reproduced or used, in whole or in part, for manufacture or sale by anyone other than Amphenol Corporation without its prior consent, and that no right is granted to disclose or to use any information in this document.

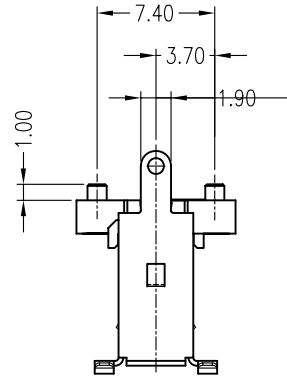
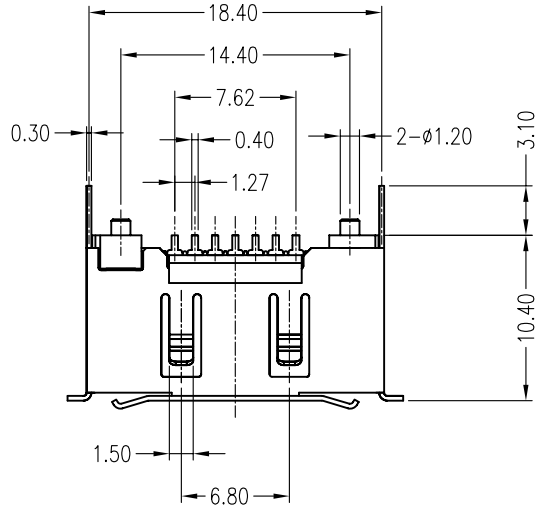
The marking on this product doesn't contain environmental hazardous materials per Material Specification SS-00259 for Sony GP compliant or per directive 2002/95/EC for RoHS compliant.



ORIGINAL



REVISIONS				
SYM	ECN No.	DESCRIPTION	DATE	APPROVED
A		RELEASE TO THE PRODUCTION	03/24/2008	Hank Hsu
B	NE-08355	ADD PAKING DRAWING	10/14/2008	Hank Hsu



P/N SYSTEM:

G09 1 3 X 1 3 X X WEU

CONTACT FINISH:

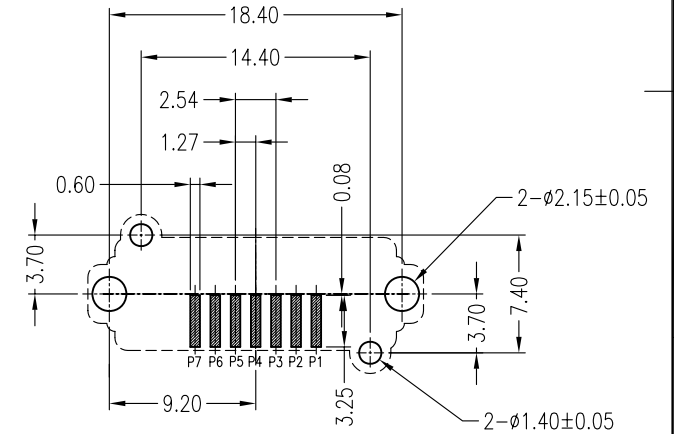
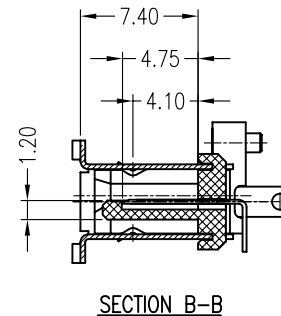
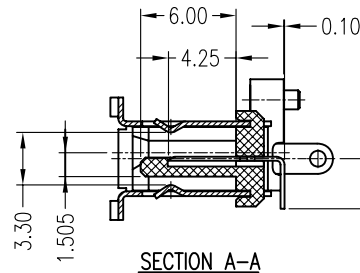
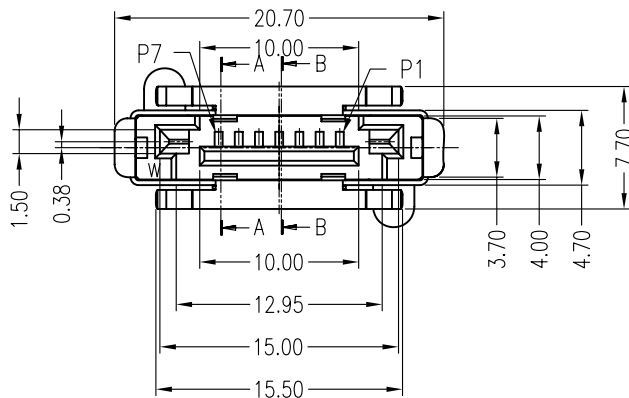
- 0: CONTACT:GOLD FLASH; SHELL:NICKEL PLATING
- 4: CONTACT:30u" GOLD; SHELL:NICKEL PLATING
- 5: CONTACT:15u" GOLD; SHELL:NICKEL PLATING

MATERIAL OPTION:

- 0: LCP+30%GF,BLACK
- 3: NYLON 66,BLACK

PACKAGING CODE:

- 0: TAPE AND REEL PACKING
- 1: TRAY PACKAGING
- 2: TUBE PACKAGING



NOTES:

1. INSULATOR: HIGH TEMPERATURE THERMOPLASTIC, UL 94V-0, COLOR- BLACK
2. CONTACT: BRASS, 0.3mm THICKNESS, SELECTIVE GOLD PLATED ON CONTACT AREA, TIN PLATED ON SOLDERING TAIL
3. SHELL: COPPER ALLOY, 0.3mm THICKNESS, NICKEL PLATED
4. THIS PRODUCT DOESN'T CONTAIN ENVIRONMENTAL HAZARDOUS MATERIALS PER DIRECTIVE 2002/95/EC FOR RoHS.

TOLERANCE	APPROVALS	DATE	TITLE		PART No.	
X. ±0.30	DRAWN Chenny Yeh	10/14/08	G09 SERIES		Amphenol®	
X.X ±0.20	CHECKED Daniel Hsieh	10/14/08	E-SATA CONNECTOR		Amphenol Corporation	
X.XX ±0.10	APPROVED Sondra Sang	10/14/08	PLUG, 7-POS.		Amphenol Taiwan Corporation	
ANGULAR ±1°	DWG TYPE CUST DWG	PROJECT CODE SKT	UNIT mm	SIZE A3	G0913X13XXXWEU	
UNLESS OTHERWISE SPECIFIED			SCALE NA	SHEET 1 OF 3	G0913X13XXXWEU	
					REV. B	

This document is the property of Amphenol Corporation and is delivered on the express condition that is not to be disclosed, reproduced or used, in whole or in part, for manufacture or sale by anyone other than Amphenol Corporation without its prior consent, and that no right is granted to disclose or to use any information in this document.

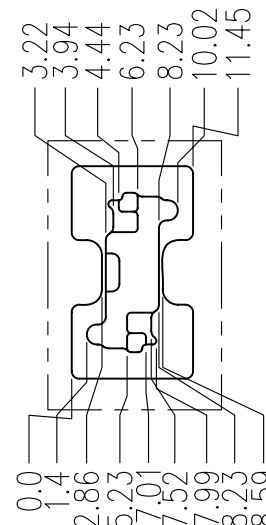
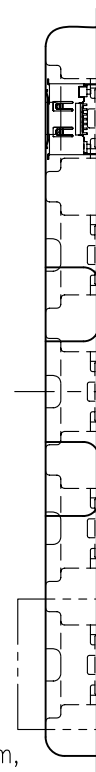
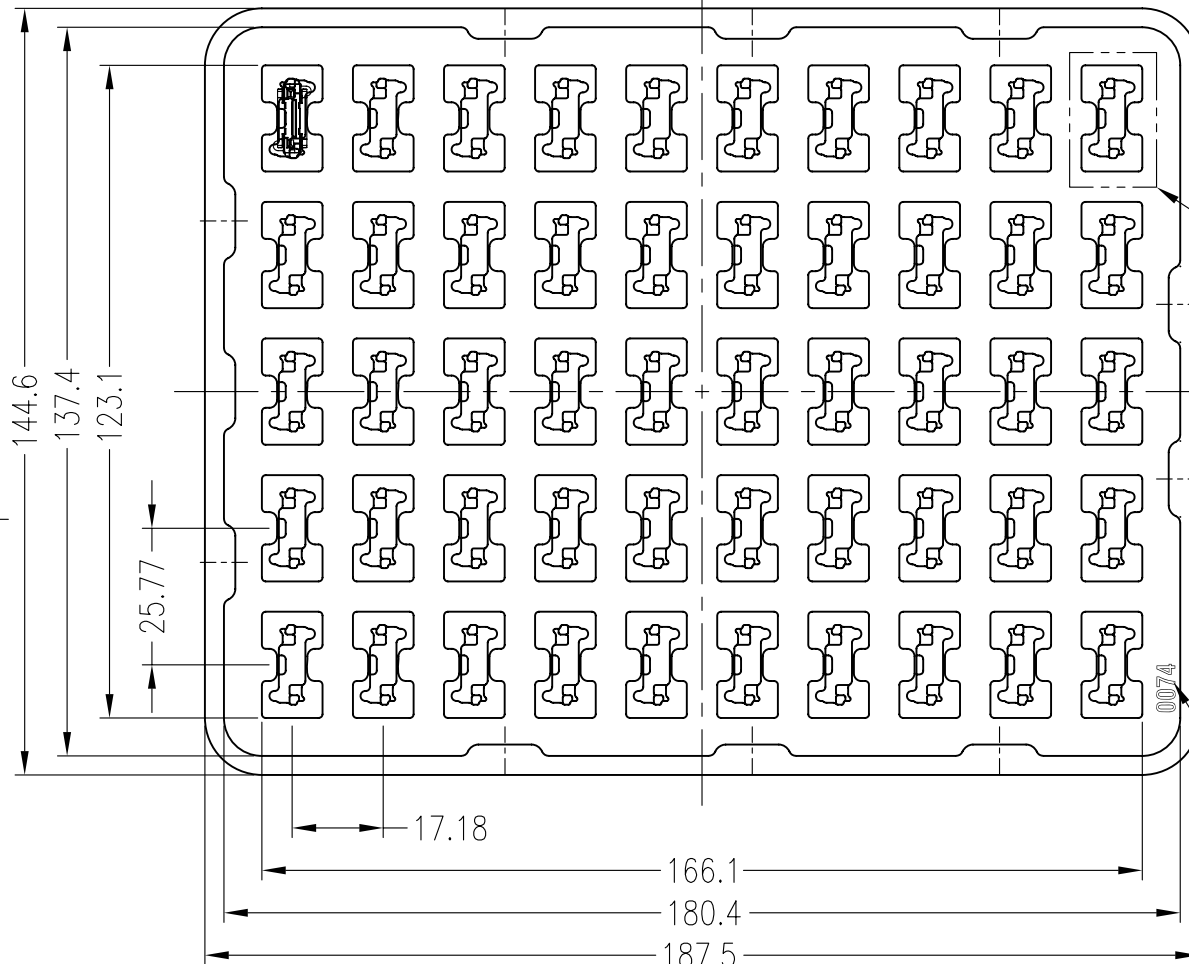
The marking on this product doesn't contain environmental hazardous materials per Material Specification SS-00259 for Sony GP compliant or per directive 2002/95/EC for RoHS compliant.



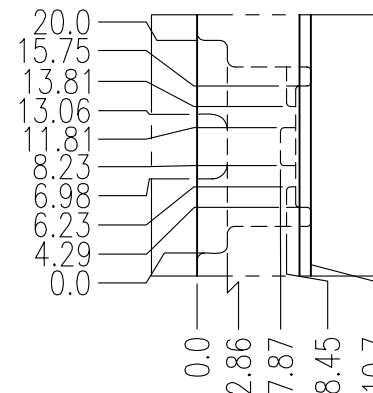
ORIGINAL



REVISIONS				
SYM	ECN No.	DESCRIPTION	DATE	APPROVED
A		RELEASE TO THE PRODUCTION	03/24/2008	Hank Hsu
B	NE-08355	ADD PAKING DRAWING	10/14/2008	Hank Hsu



VIEW A
SCALE 2:1



VIEW B
SCALE 2:1

NOTES:

- 1.MATERIAL=PS,T=1.5MM.
- 2.TAPER=3~5°.
- 3.刻字0074.

TOLERANCE		APPROVALS		DATE	TITLE	G09 SERIES E-SATA CONNECTOR PLUG, 7-POS. STRAIGHT SMT			Amphenol® Amphenol Corporation Amphenol Taiwan Corporation		
X.		DRAWN	Chenny Yeh	10/14/08		UNIT	mm	SIZE	A3	PART No.	G0913X13XXXWEU
X.X	±0.30	CHECKED	Daniel Hsieh	10/14/08		SCALE	NA	SHEET	2 OF 3	DWG No.	G0913X13XXXWEU
X.XX	±0.20	APPROVED	Sondra Sang	10/14/08		REV.	B				
X.XXX	±0.10	DWG TYPE	CUST DWG	PROJECT CODE	SKT						
ANGULAR	±1°	UNLESS OTHERWISE SPECIFIED									

This document is the property of Amphenol Corporation and is delivered on the express condition that it is not to be disclosed, reproduced or used, in whole or in part, for manufacture or sale by anyone other than Amphenol Corporation without its prior consent, and that no right is granted to disclose or to use any information in this document.

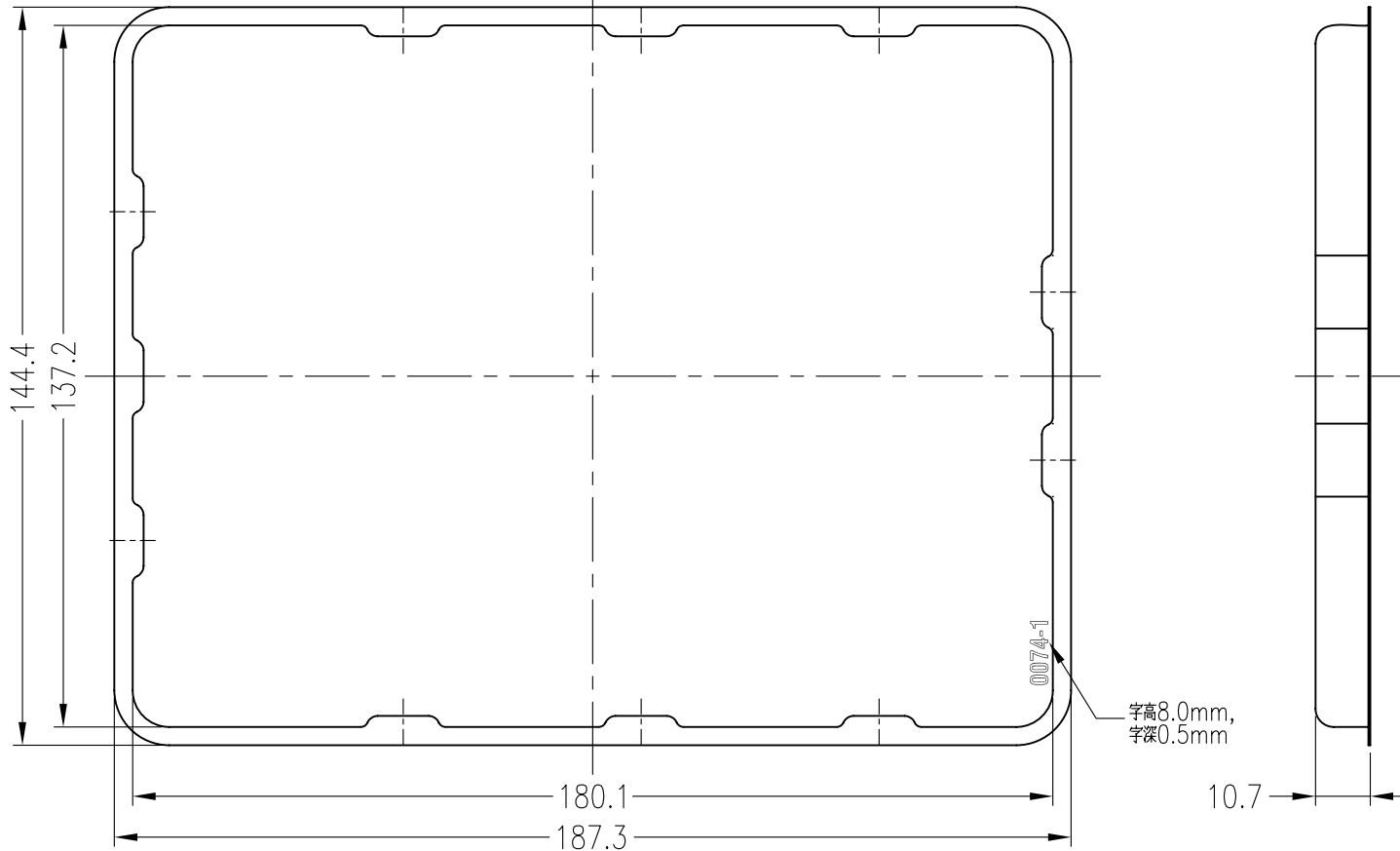
The marking on this product doesn't contain environmental hazardous materials per Material Specification 55-00259 for Sony GP compliant or per directive 2002/95/EC for RoHS compliant.



ORIGINAL



REVISIONS				
SYM	ECN No.	DESCRIPTION	DATE	APPROVED
A		RELEASE TO THE PRODUCTION	03/24/2008	Hank Hsu
B	NE-08355	ADD PAKING DRAWING	10/14/2008	Hank Hsu



NOTES:

1. MATERIAL=PS, T=1.5MM.
2. TAPER=3~5°.
3. 刻字0074-1.

TOLERANCE		APPROVALS		DATE	TITLE	Amphenol®				
X.		DRAWN	Chenny Yeh	10/14/08	G09 SERIES E-SATA CONNECTOR PLUG, 7-POS. STRAIGHT SMT	Amphenol Corporation Amphenol Taiwan Corporation				
X.X	±0.30	CHECKED	Daniel Hsieh	10/14/08		PART No.	G0913X13XXXWEU			
X.XX	±0.20	APPROVED	Sondra Sang	10/14/08		UNIT	mm	SIZE	A3	
X.XXX	±0.10	DWG TYPE	CUST DWG	PROJECT CODE	SKT	SCALE	NA	SHEET	3 OF 3	
ANGULAR	±1°					DWG No.	G0913X13XXXWEU		REV.	B
UNLESS OTHERWISE SPECIFIED										