

This document is the property of Amphenol Corporation and is delivered on the express condition that it is not to be disclosed, reproduced or used, in whole or in part, for manufacture or sale by anyone other than Amphenol Corporation without its prior consent, and that no right is granted to disclose or to use any information in this document.

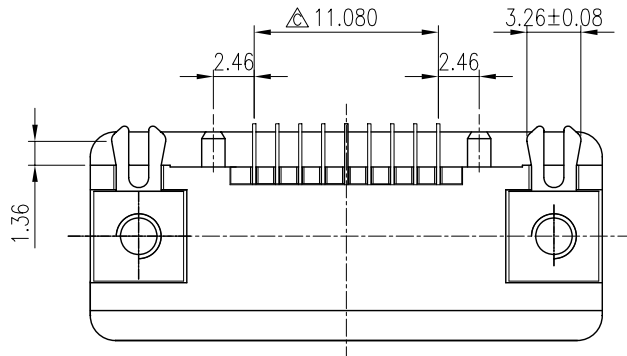
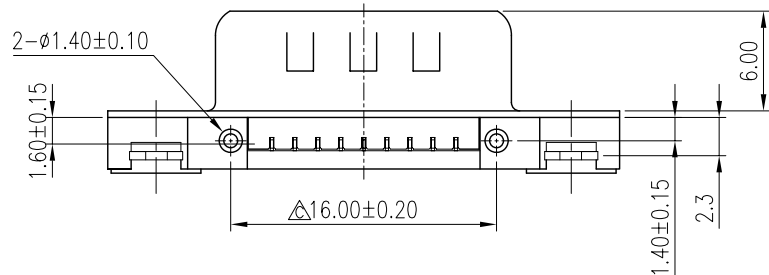
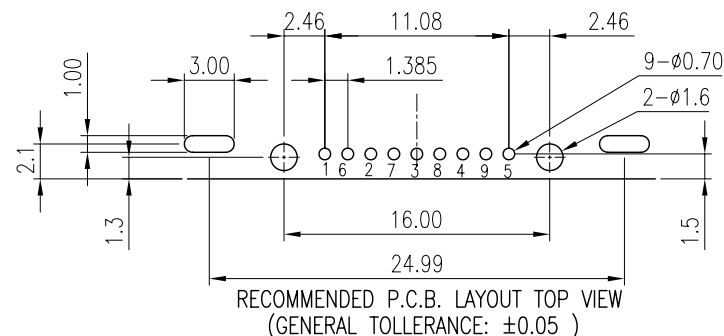
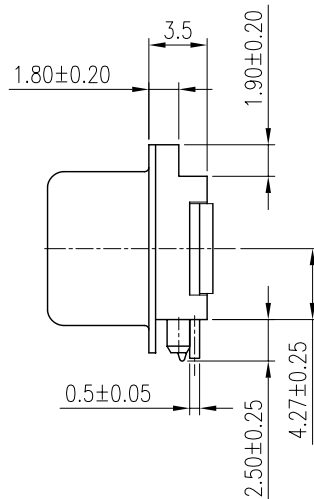
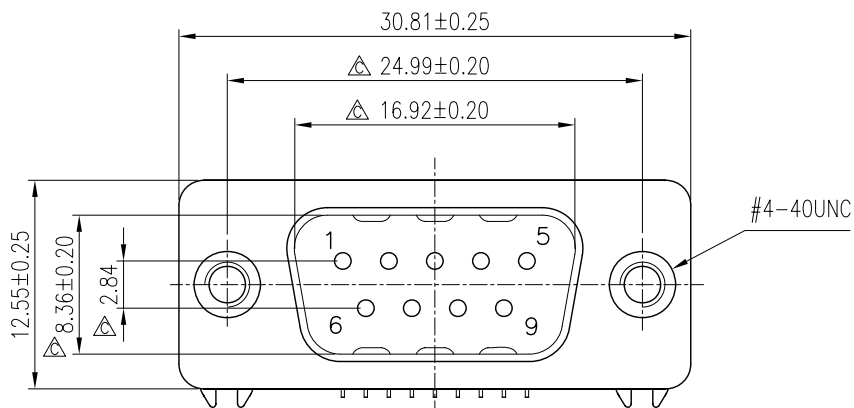
The marking on this product doesn't contain environmental hazardous materials per Material Specification SS-00259 for Sony GP compliant or per directive 2002/95/EC for RoHS compliant.



CUSTOMER DRAWING ORIGINAL



REVISIONS				
SYM	ECN No.	DESCRIPTION	DATE	APPROVED
A		RELEASE FOR RoHS	08/10/2006	Edward Wu
B	NE-08065	TOOLING MODIFICATION	02/14/2008	Hank Hsu
C	NE-08091	NEW RELEASE	03/07/2008	Hank Hsu



NOTES:

- INSULATOR: NYLON 6T, UL 94V-0, COLOR IN BLACK
- CONTACT: BRASS, SELECTIVE GOLD PLATED ON CONTACT AREA, 100μ" TIN PLATED ON SOLDERING AREA, 50μ" MIN. NICKEL UNDERPLATED
- SHELL: COLD ROLLER STEEL, NICKEL PLATED
- BOARDLOCK: BRASS, TIN PLATED
- THIS PRODUCT DOESN'T CONTAIN ENVIROMENTAL HAZARDOUS MATERIALS PER DIRECTIVE 2002/95/EC FOR RoHS.
- FOR DIP PROCESS ONLY
- PACKING MUST BE PER Amphenol PACKING SPECIFICATION PKS-0001
- △ IS CRITICAL DIMENSIONS
- PART NUMBER:
G17DC 091X 231 EU

CONTACT FINISH: 0: FLASH GOLD
1: 10μ" GOLD
2: 15μ" GOLD

TOLERANCE	m/m	APPROVALS	DATE	TITLE	Amphenol® Amphenol Corporation Amphenol Taiwan Corporation		
x.	±0.30	DRAWN Summer Feng	03/07/08	G17DC SERIES	SCALE	N.A.	SHEET 1 OF 1
x.x	±0.25	CHECKED Daniel Hsieh	03/07/08	R/A, D-SUB			
x.xx	±0.15	APPROVED Hank Hsu	03/07/08	9 POSITIONS PLUG			
x.xxx	±0.08			LOW PROFILE			
ANGULAR	±2°						
UNLESS OTHERWISE SPECIFIED		UNIT MM	SIZE A4	PART NO. G17DC 091X 231 EU	DRAWING NO. DSUB-G17DX091X231FEU-25		REV. C