

**PRELIMINARY RELEASE
SUBJECT TO CHANGE**

REVISIONS				
SYM	ECN No.	DESCRIPTION	DATE	APPROVED
AX1		NON-RELEASE REVISION	03/03/2010	Roger Tsai

This document is the property of Amphenol Corporation and is delivered on the express condition that is not to be disclosed, reproduced or used, in whole or in part, for manufacture or sale by anyone other than Amphenol Corporation without its prior consent, and that no right is granted to disclose or to use any information in this document.

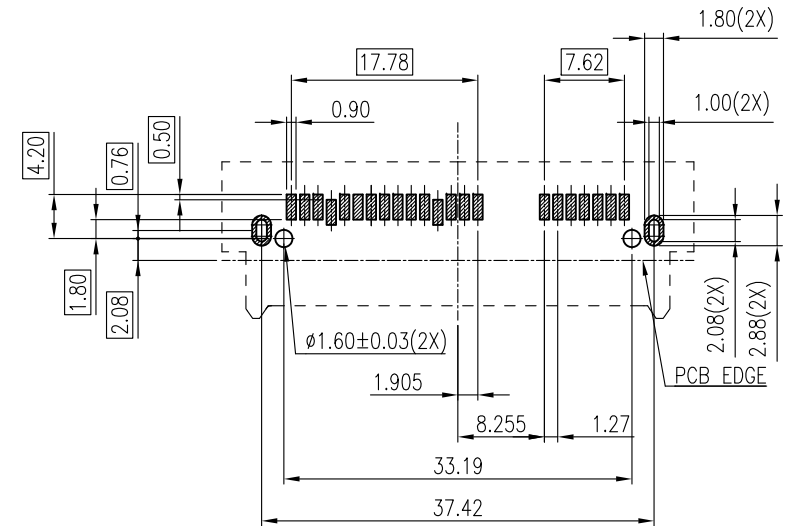
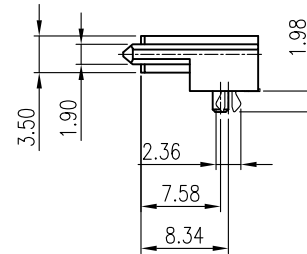
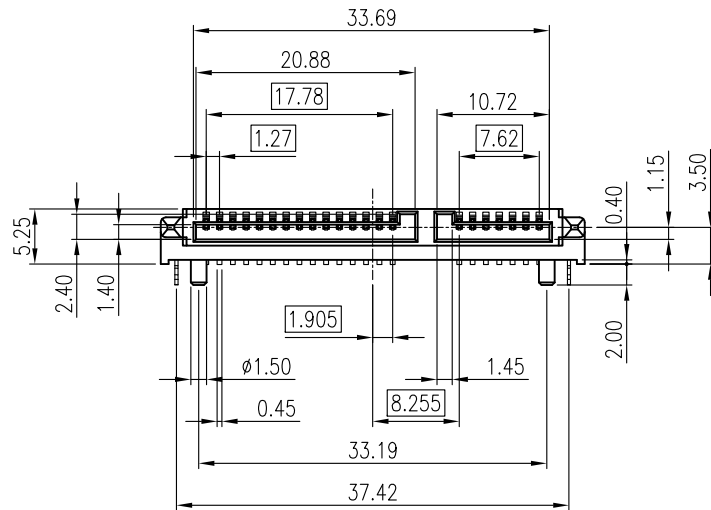
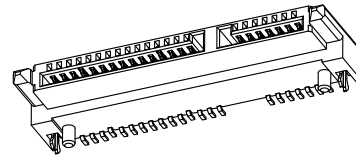
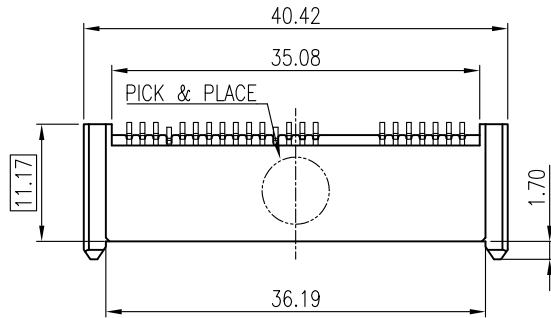
The marking on this product doesn't contain environmental hazardous materials per Material Specification 55-00259 for Sony GP compliant or per directive 2002/95/EC for RoHS compliant.

NOTES:

- MATERIAL:**
HOUSING: HIGH TEMPERATURE THERMAL PLASTIC, UL94V-0, COLOR: BLACK.
TERMINAL: COPPER ALLOY.
HOOK: COPPER ALLOY.
- FINISH:**
TERMINAL:
CONTACT AREA: SELECTED GOLD PLATING;
SOLDERING AREA: TIN PLATING 100 μ" THICKNESS MIN.;
UNDER PLATING: NICKEL PLATING 50 μ" THICKNESS MIN. OVERALL.
HOOK:
SOLDERING AREA: TIN PLATING 100 μ" THICKNESS MIN.;
UNDER PLATING: NICKEL PLATING 50 μ" THICKNESS MIN. OVERALL.
- PACKING IS PER AMTA PACKING SPECIFICATION PKS-0001.
- THIS PRODUCT DOESN'T CONTAIN ENVIRONMENTAL HAZARDOUS PER DIRECTIVE 2002/95/EC FOR RoHS COMPLIANT.

PART NO. G16CE5X110PEU

CONTACT FINISH
0: GOLD FLASH
1: 15 μ" GOLD
2: 30 μ" GOLD



RECOMMEND P.C.BOARD LAYOUT
PCB TOLERANCE:±0.05

TOLERANCE	APPROVALS	DATE	TITLE		Amphenol®							
X.	DRAWN Roger Tsai	03/03/2010	SERIAL ATA HOST CONNECTOR 1.27MM PITCH, 22 CIRCUIT 3.50MM HEIGHT, R/A SMT TYPE		Amphenol Corporation Amphenol Taiwan Corporation							
X.X ±0.30	CHECKED Chenny Yeh	03/03/2010										
X.XX ±0.20	APPROVED Roger Tsai	03/03/2010	UNLESS OTHERWISE SPECIFIED	DWG TYPE CUST DWG	PROJECT CODE SKT	UNIT mm	SCALE NA	SIZE A3	SHEET 1 OF 1	PART No. G16CE5X110PEU	DWG No. G16CE5X110PEU	REV. AX1
X.XXX ±0.10	ANGULAR ±1°											