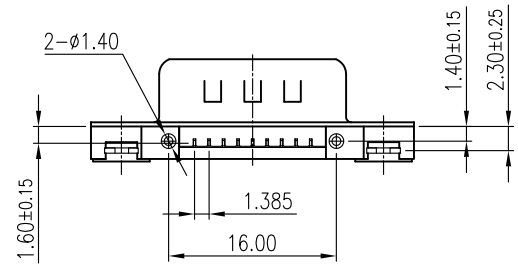
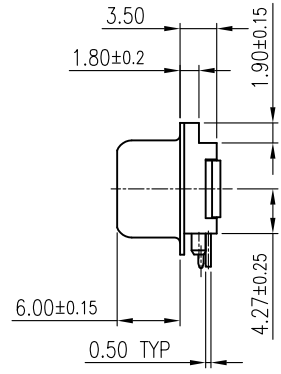
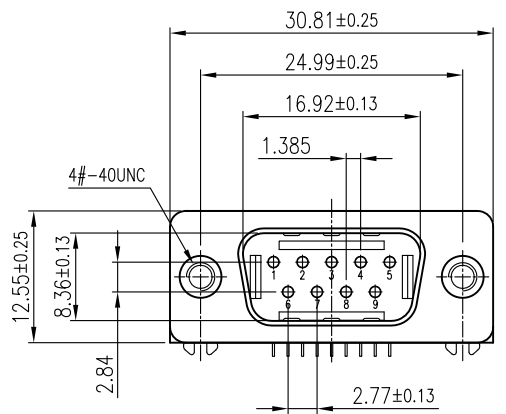


This document is the property of Amphenol Corporation and is delivered on the express condition that is not to be disclosed, reproduced or used, in whole or in part, for manufacture or sale by anyone other than Amphenol Corporation without its prior consent, and that no right is granted to disclose or to use any information in this document.

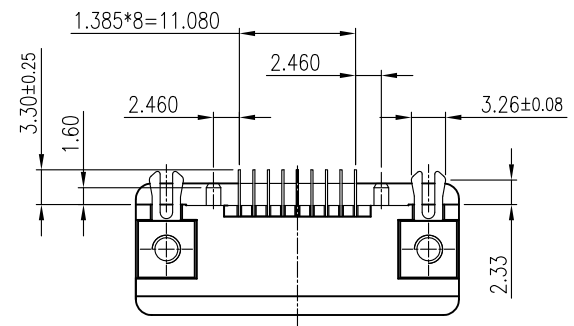
The marking on this product doesn't contain environmental hazardous materials per Material Specification 55-00259 for Sony GP compliant or per directive 2002/95/EC for RoHS compliant.

**PRELIMINARY RELEASE  
SUBJECT TO CHANGE**

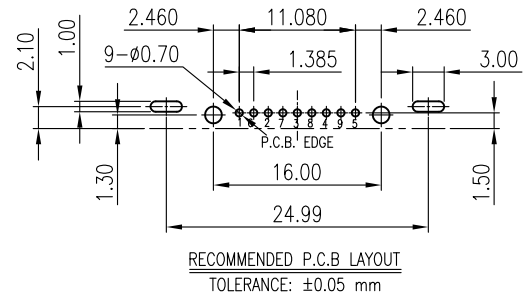
REVISIONS				
SYM	ECN No.	DESCRIPTION	DATE	APPROVED
AX1		NON-RELEASE REVISION	03/04/2010	Roger Tsai



PART NO. G17DC091X2311EU  
CONTACT FINISH  
0: GOLD FLASH  
1: 15 μ" GOLD  
2: 30 μ" GOLD



- NOTES:
- MATERIAL:  
HOUSING: HIGH TEMPERATURE THERMAL PLASTIC, PA 9T, UL94V-0, COLOR: BLACK.  
TERMINAL: COPPER ALLOY.  
BOARD LOCK: COPPER ALLOY.  
SHELL: SPCC.  
RIVET: COPPER ALLOY.
  - FINISH:  
TERMINAL:  
CONTACT AREA: SELECTED GOLD PLATING;  
SOLDERING AREA: TIN PLATING 100 μ" THICKNESS MIN.;  
UNDER PLATING: NICKEL PLATING 50 μ" THICKNESS MIN. OVERALL.  
BOARD LOCK:  
SOLDERING AREA: TIN PLATING 100 μ" THICKNESS MIN.;  
UNDER PLATING: NICKEL PLATING 50 μ" THICKNESS MIN. OVERALL.  
SHELL:  
NICKEL PLATING 50 μ" THICKNESS MIN. OVERALL.  
RIVET:  
NICKEL PLATING 50 μ" THICKNESS MIN. OVERALL.
  - PACKING IS PER AMTA PACKING SPECIFICATION PKS-0001.
  - THIS PRODUCT DOESN'T CONTAIN ENVIRONMENTAL HAZARDOUS PER DIRECTIVE 2002/95/EC FOR RoHS COMPLIANT.



TOLERANCE		APPROVALS		DATE	TITLE		Amphenol®							
X.		DRAWN	Roger Tsai	03/04/2010	G17DC SERIES D-SUB 9 PIN, MALE CONNECTOR SLIM DIP TYPE		Amphenol Corporation Amphenol Taiwan Corporation							
X.X	±0.30	CHECKED	Chenny Yeh	03/04/2010										
X.XX	±0.20	APPROVED	Roger Tsai	03/04/2010										
X.XXX	±0.10	UNLESS OTHERWISE SPECIFIED		CUST DWG	PROJECT CODE	DSUB	UNIT	mm	SIZE	A3	PART No.	G17DC091X2311EU		
							SCALE	NA	SHEET	1 OF 1	DWG No.	G17DC091X2311EU	REV.	AX1