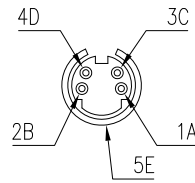
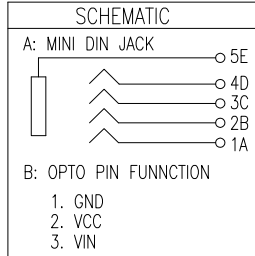


This document is the property of Amphenol Corporation and is delivered on the express condition that it is not to be disclosed, reproduced or used, in whole or in part, for manufacture or sale by anyone other than Amphenol Corporation without its prior consent, and that no right is granted to disclose or to use any information in this document.

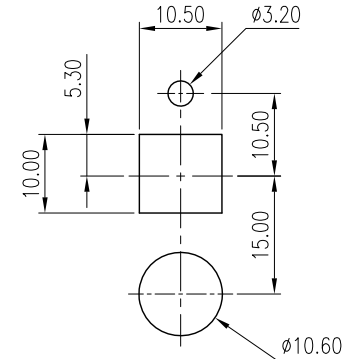
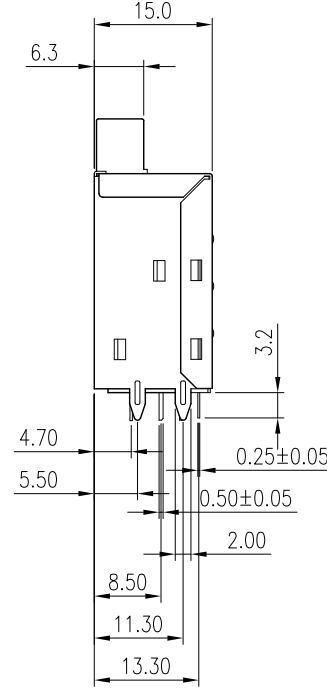
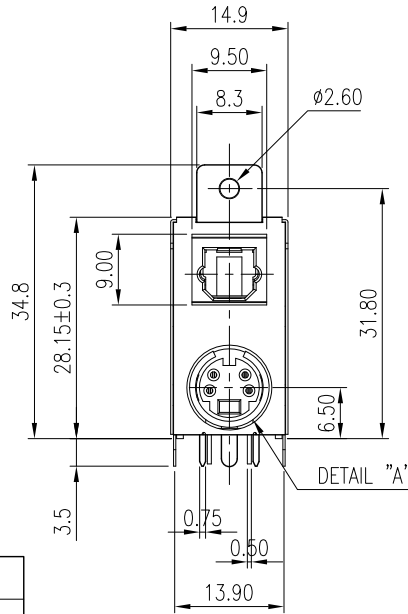
The marking on this product doesn't contain environmental hazardous materials per Material Specification 55-00259 for Sony GP compliant or per directive 2002/95/EC for RoHS compliant.

REVISIONS				
SYM	ECN No.	DESCRIPTION	DATE	APPROVED
AX1		UNAPPROVED REVISION	10/15/2008	Hank Hsu

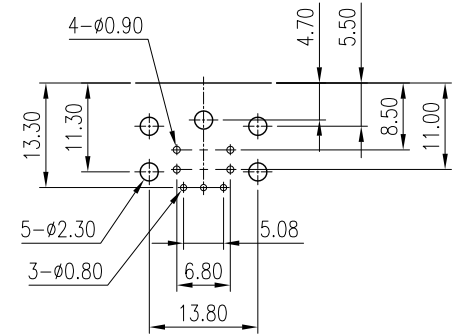
PRELIMINARY RELEASE
SUBJECT TO CHANGE



DETAIL "A"



RECOMMENDED PANEL CUTOUT



**RECOMMENDED PCB LAYOUT
(ALL TOLERANCE ARE ±0.05 MM)**

NOTE: THIS PRODUCT DOESN'T CONTAIN ENVIRONMENTAL HAZARDOUS MATERIALS PER DIRECTIVE 2002/95/EC FOR RoHS.

14	GROUND CONTACT	BRASS	NICKEL	1
13	CONTACT, S4	BRASS	TIN	1
12	CONTACT, S3	BRASS	TIN	1
11	CONTACT, S2	BRASS	TIN	1
10	CONTACT, S1	BRASS	TIN	1
9	TRANSMITTING		TIN	1
8	SPRING	STAINLESS STEEL, SUS 304		1
7	REAR FOIL	SPCC	NICKEL	1
6	FRONT FOIL	SPCC	NICKEL	1
5	COVER	PBT, UL 94V-0, COLOR- BLACK		1
4	HOUSING BASE COVER	NYLON 46, UL 94V-0, COLOR-BLACK		1
3	LED COVER	PBT, UL 94V-0, COLOR- BLACK		1
2	SHUTTER	PBT, UL 94V-0, COLOR- GRAY		1
1	HOUSING	PBT, UL 94V-0, COLOR- BLACK		1
ITEM	DESCRIPTION	MATERIAL & FINISH	FINISH	Q'TY

TOLERANCE	APPROVALS	DATE	TITLE					
X.	DRAWN	10/15/08	FIBER OPTIC TRANSMITTER					
X.X ±0.30	Sondra Sang	10/15/08	OVER MINI DIN, 4 POS. FEMALE					
X.XX ±0.20	CHECKED	10/15/08	STACKED, R/A DIP TYPE					
X.XXX ±0.10	Hank Hsu	10/15/08		UNIT	mm	SIZE	A3	
ANGULAR ±1°	DWG TYPE	CUST DWG	PROJECT CODE	SCALE	NA	SHEET	1 OF 1	
UNLESS OTHERWISE SPECIFIED				PART No.	G20A 03007 EU		REV.	AX1
				DWG No.	G20A03007EU			

Amphenol®

Amphenol Corporation
Amphenol Taiwan Corporation

PART No. G20A 03007 EU

DWG No. G20A03007EU