

This document is the property of Amphenol Corporation and is delivered on the express condition that is not to be disclosed, reproduced or used, in whole or in part, for manufacture or sale by anyone other than Amphenol Corporation without its prior consent, and that no right is granted to disclose or to use any information in this document.

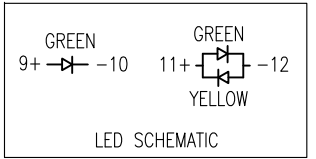
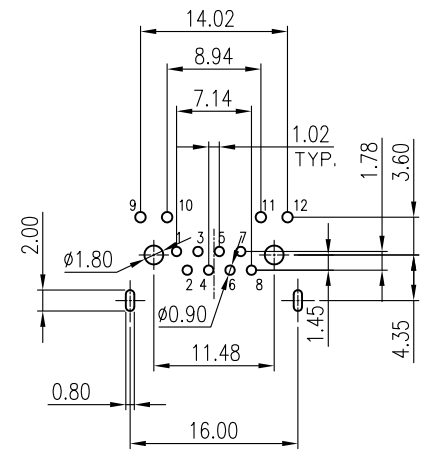
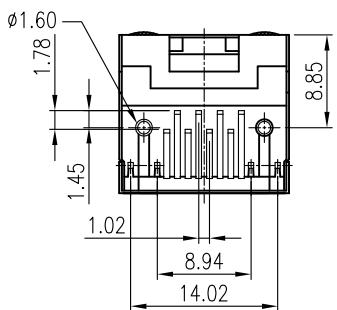
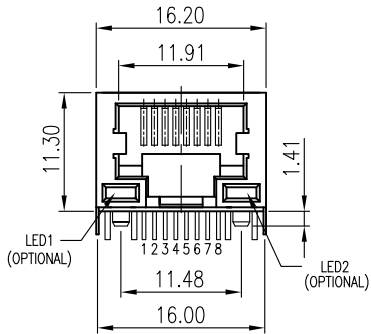
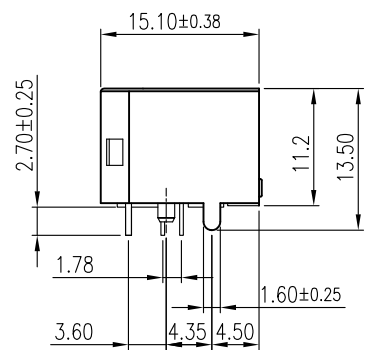
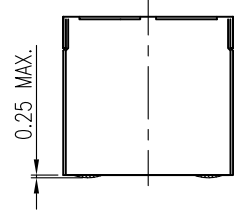
The marking on this product doesn't contain environmental hazardous materials per Material Specification 55-00259 for Sony GP compliant or per directive 2002/95/EC for RoHS compliant.

PRELIMINARY RELEASE  
SUBJECT TO CHANGE

REVISIONS				
SYM	ECN No.	DESCRIPTION	DATE	APPROVED
AX1		NON-RELEASE REVISION	02/04/2010	Arron Lin
AX2		MODIFIED PIN LENGTH: 2.2mm-->2.7mm	02/26/2010	Roger Tsai
AX3		MODIFIED DRAWING: ADD SHELL TAIL	03/19/2010	Roger Tsai
AX4		ADD PACKING SPECIFICATION	03/25/2010	Roger Tsai

**NOTES:**

- MATERIAL:  
HOUSING: HIGH TEMPERATURE THERMAL PLASTIC, NYLON46, UL94V-0, COLOR: BLACK.  
TERMINAL: PHOSPHOR BRONZE.  
SHIELD: COPPER ALLOY
- FINISH:  
TERMINAL:  
CONTACT AREA: SELECTED GOLD PLATING;  
SOLDERING AREA: WITH HARD GOLD AND GOLD FLASH.  
UNDER PLATING: NICKEL PLATING 50 u" THICKNESS MIN. OVERALL.  
SHIELD:  
UNDER PLATING: NICKEL PLATING 50 u" THICKNESS MIN. OVERALL.
- PACKING IS PER AMTA PACKING SPECIFICATION PKS-0001.
- THIS PRODUCT DOESN'T CONTAIN ENVIRONMENTAL HAZARDOUS PER DIRECTIVE 2002/95/EC FOR RoHS COMPLIANT.



G71B0249400EU	50u"
G71B0249300EU	30u"
G71B0249200EU	15u"
G71B0249100EU	6u"
G71B0249000EU	G/F
PART NUMBER	FINISH

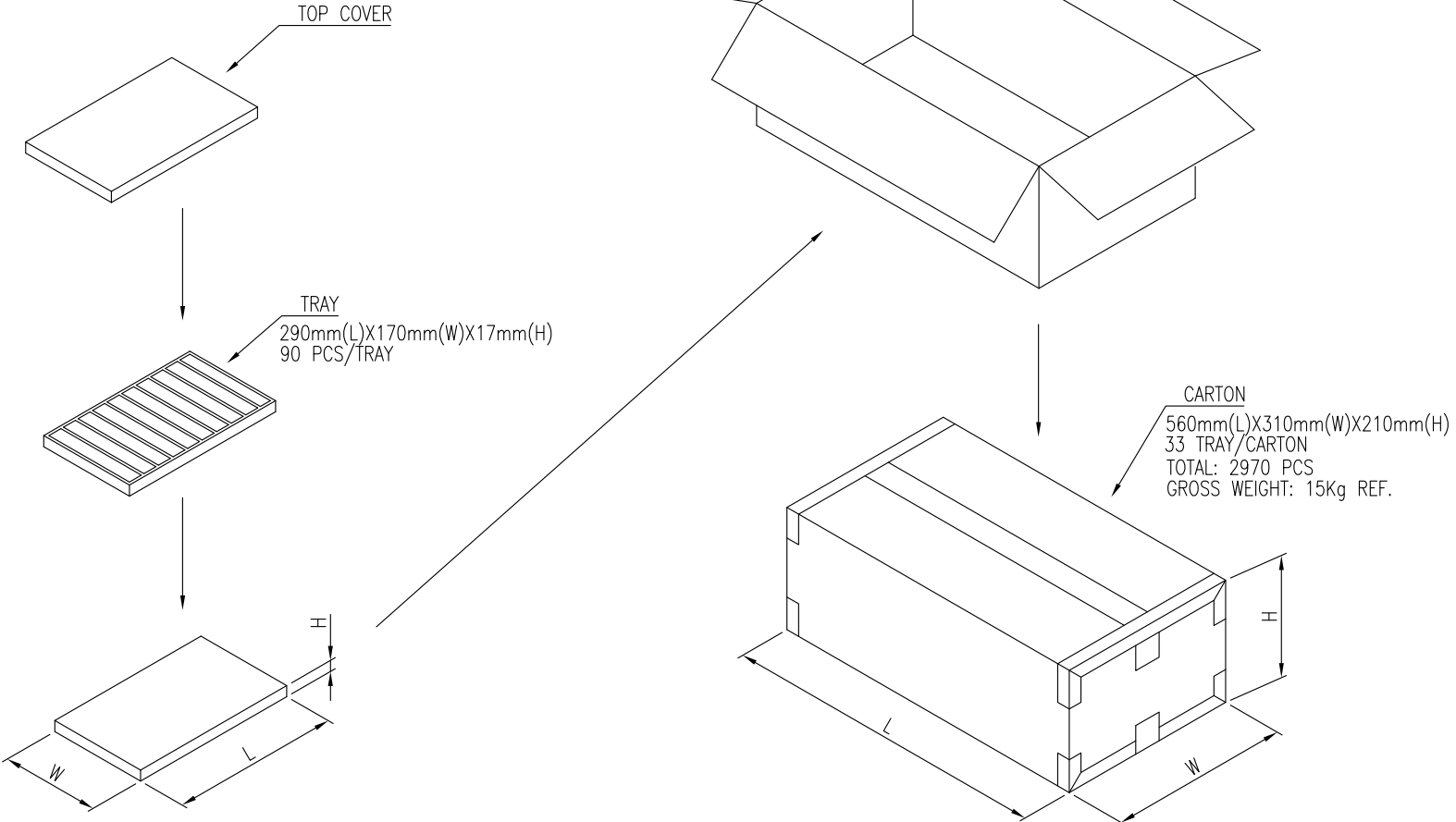
TOLERANCE	APPROVALS	DATE	TITLE		UNIT		SIZE		PART No.	
X. ±0.30	DRAWN Roger Tsai	03/25/2010	G71B SERIES MODULAR JACK 8P8C, R/A, SIDE ENTRY, DIP TYPE		mm		A3		G71B0249X00EU	
X.X ±0.20	CHECKED Chenny Yeh	03/25/2010			SCALE		SHEET		DWG No.	
X.XXX ±0.10	APPROVED Roger Tsai	03/25/2010			NA		1 OF 2		G71B0249X00EU	
ANGULAR ±1°	DWG TYPE CUST DWG	PROJECT CODE MJK			UNIT mm		SCALE NA		SHEET 1 OF 2	
UNLESS OTHERWISE SPECIFIED										

**Amphenol**®  
Amphenol Corporation  
Amphenol Taiwan Corporation

PRELIMINARY RELEASE  
SUBJECT TO CHANGE

REVISIONS				
SYM	ECN No.	DESCRIPTION	DATE	APPROVED
AX1		NON-RELEASE REVISION	02/04/2010	Arron Lin
AX2		MODIFIED PIN LENGTH: 2.2mm-->2.7mm	02/26/2010	Roger Tsai
AX3		MODIFIED DRAWING: ADD SHELL TAIL	03/19/2010	Roger Tsai
AX4		ADD PACKING SPECIFICATION	03/25/2010	Roger Tsai

This document is the property of Amphenol Corporation and is delivered on the express condition that is not to be disclosed, reproduced or used, in whole or in part, for manufacture or sale by anyone other than Amphenol Corporation without its prior consent, and that no right is granted to disclose or to use any information in this document.  
The marking on this product doesn't contain environmental hazardous materials per Material Specification 55-00259 for Sony GP compliant or per directive 2002/95/EC for RoHS compliant.



TOLERANCE		APPROVALS		DATE	<b>TITLE</b> G71B SERIES MODULAR JACK 8P8C, R/A, SIDE ENTRY, DIP TYPE	<b>Amphenol®</b> Amphenol Corporation Amphenol Taiwan Corporation							
X.		DRAWN	Roger Tsai	03/25/2010									
X.X	±0.30	CHECKED	Chenny Yeh	03/25/2010									
X.XX	±0.20	APPROVED	Roger Tsai	03/25/2010									
X.XXX	±0.10	DWG TYPE	CUST DWG	PROJECT CODE	MJK	UNIT	mm	SIZE	A3	PART No.	G71B0249X00EU		
ANGULAR	±1°	UNLESS OTHERWISE SPECIFIED				SCALE	NA	SHEET	2 OF 2	DWG No.	G71B0249X00EU	REV.	AX4