

This document is the property of Amphenol Corporation and is delivered on the express condition that is not to be disclosed, reproduced or used, in whole or in part, for manufacture or sale by anyone other than Amphenol Corporation without its prior consent, and that no right is granted to disclose or to use any information in this document.

The marking on this product doesn't contain environmental hazardous materials per Material Specification 55-00259 for Sony GP compliant or per directive 2002/95/EC for RoHS compliant.

**PRELIMINARY RELEASE
SUBJECT TO CHANGE**

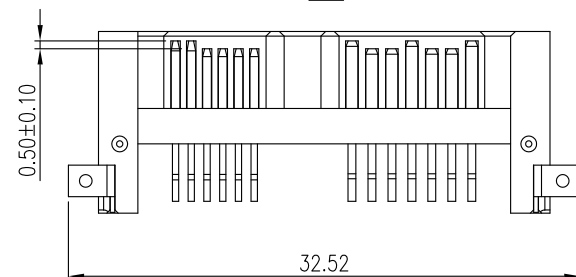
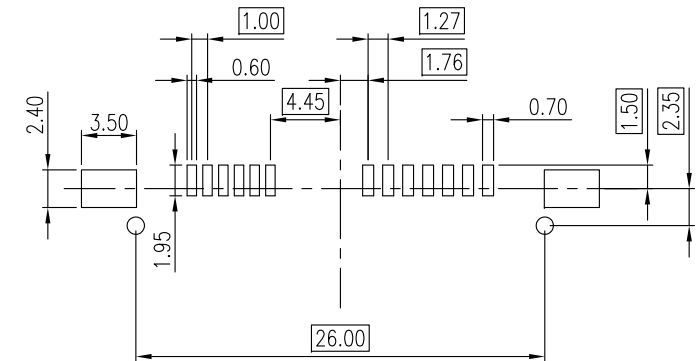
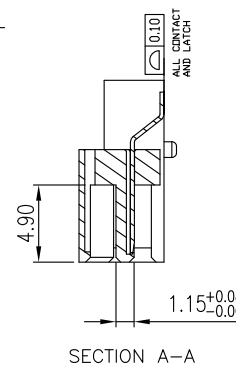
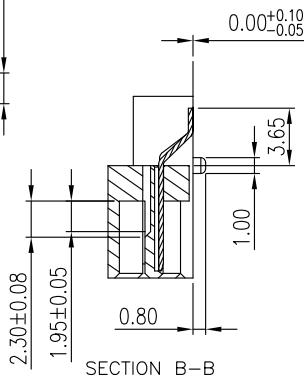
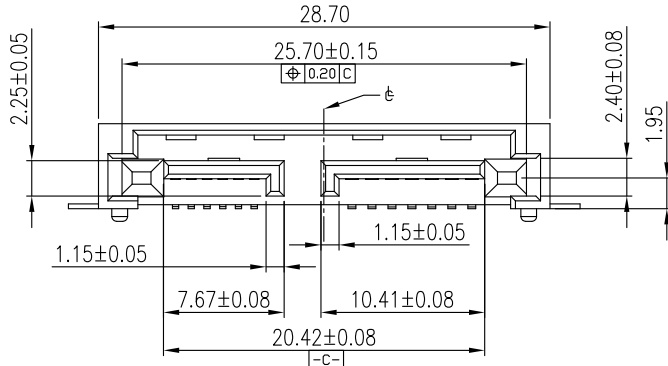
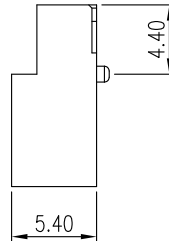
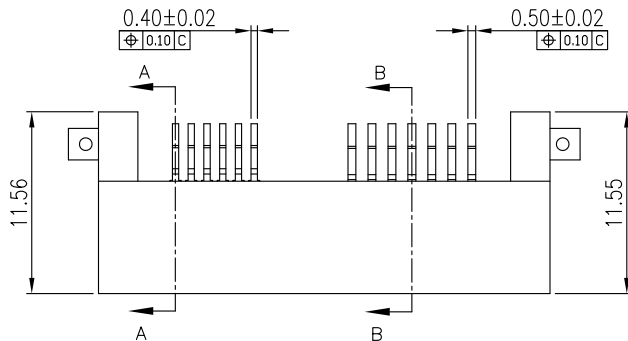
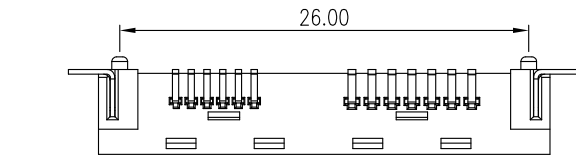
REVISIONS				
SYM	ECN No.	DESCRIPTION	DATE	APPROVED
AX1		NON-RELEASE REVISION	02/02/2010	Arron Lin

PART NO. G16E1X140MEU

CONTACT FINISH
O: GOLD FLASH
1: 15 u" GOLD
2: 30 u" GOLD

NOTES:

- MATERIAL:
HOUSING: HIGH TEMPERATURE THERMAL PLASTIC, LCP, UL94V-0, COLOR: BLACK.
TERMINAL: COPPER ALLOY.
PEG: COPPER ALLOY.
- FINISH:
TERMINAL:
CONTACT AREA: SELECTED GOLD PLATING;
SOLDERING AREA: TIN PLATING 100 u" THICKNESS MIN.;
UNDER PLATING: NICKEL PLATING 50 u" THICKNESS MIN. OVERALL.
PEG:
SOLDERING AREA: MATTE TIN PLATING 100 u" THICKNESS MIN.;
UNDER PLATING: NICKEL PLATING 50 u" THICKNESS MIN. OVERALL.
- PACKING IS PER AMTA PACKING SPECIFICATION PKS-0001.
- THIS PRODUCT DOESN'T CONTAIN ENVIRONMENTAL HAZARDOUS PER DIRECTIVE 2002/95/EC FOR RoHS COMPLIANT.



TOLERANCE	APPROVALS	DATE	TITLE		PART No.		
X. ±0.30	DRAWN Daniel Hsieh	02/02/2010	G16 SERIES SLIM SATA PLUG 7+6 PIN, R/A, SMT TYPE		Amphenol® Amphenol Corporation Amphenol Taiwan Corporation		
X.X ±0.20	CHECKED Roger Tsai	02/02/2010					
X.XX ±0.10	APPROVED Arron Lin	02/02/2010	UNLESS OTHERWISE SPECIFIED		UNIT mm	SIZE A3	
ANGULAR ±1°	DWG TYPE CUST DWG	PRDJECT CODE SKT			SCALE NA	SHEET 1 OF 1	PART No. G16E1X140MEU