

This document is the property of Amphenol Corporation and is delivered on the express condition that it is not to be disclosed, reproduced or used, in whole or in part, for manufacture or sale by anyone other than Amphenol Corporation without its prior consent, and that no right is granted to disclose or to use any information in this document.

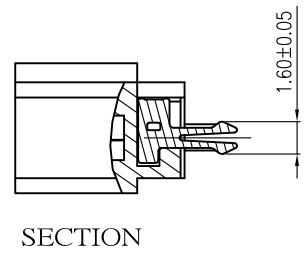
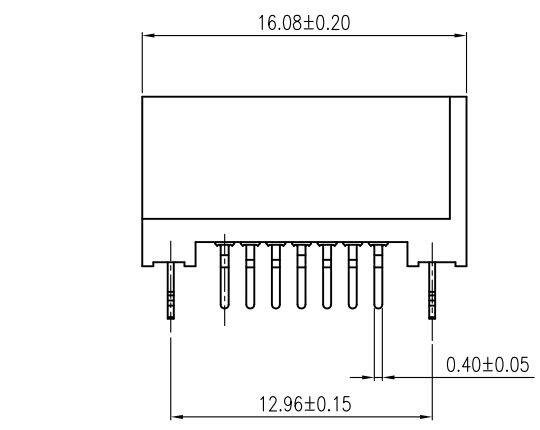
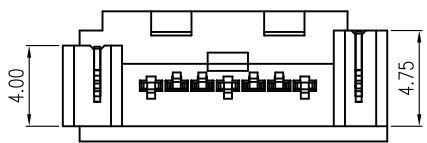
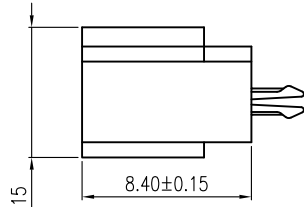
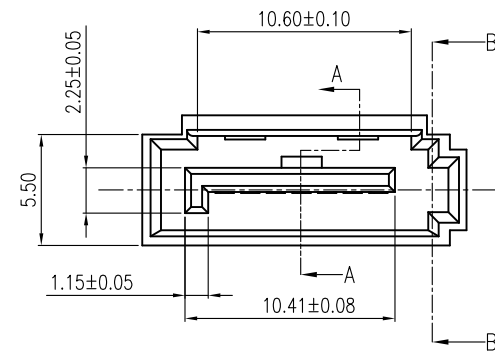
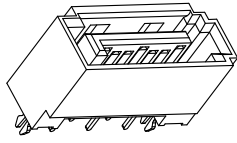
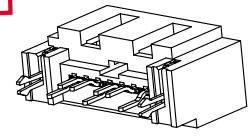
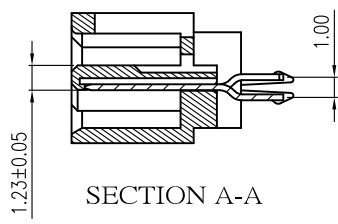
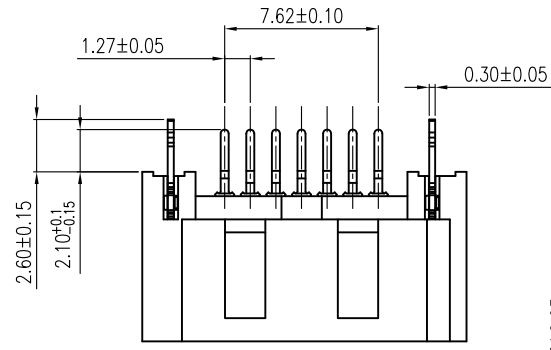
The marking on this product doesn't contain environmental hazardous materials per Material Specification 55-00259 for Sony GP compliant or per directive 2002/95/EC for RoHS compliant.

**PRELIMINARY RELEASE
SUBJECT TO CHANGE**

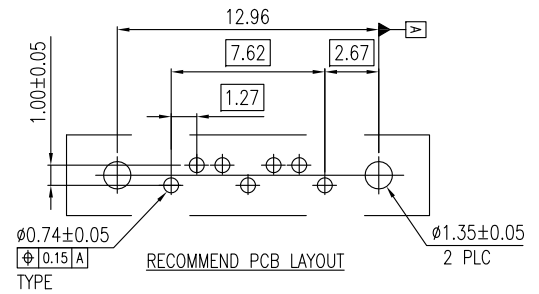
REVISIONS				
SYM	ECN No.	DESCRIPTION	DATE	APPROVED
AX1		UNAPPROVED REVISION	01/19/2010	Arron Lin

NOTES:

- MATERIAL:
HOUSING: HIGH TEMPERATURE THERMO PLASTIC UL94V-0
TERMINAL: COPPER ALLOY .
BOARBLOCK: COPPER ALLOY .
- FINISH:
TERMINAL:
CONTACT AREA: SELECTIVE GOLD PLATED.
SOLDERING AREA: MATTE TIN PL. 100 μ" THK MIN.
UNDER PL.: NICKEL PL. 50 μ" THK MIN.
BOARBLOCK:
SOLDERING AREA: MATTE TIN PL. 100 μ" THK MIN.
UNDER PL.: NICKEL PL. 50 μ" THK MIN.
- THIS PRODUCT DOESN'T CONTAIN ENVIRONMENTAL HAZARDOUS PER DIRECTIVE 2002/95/EC FOR RoHS COMPLIANT.



G16AD X 210EU
CONTACT FINISH
0: GOLD FLASH
1: 15u" GOLD
2: 30u" GOLD
O: LCP+30%GF, BLACK



TOLERANCE	DRAWN	APPROVALS	DATE	TITLE	UNIT	SCALE	SIZE	SHEET	PART No.	DWG No.	REV.
X. ±0.30	DESIGNED	Daniel Hsieh	01/19/2010	SATA CONNECTOR 7 POS., 1.27 PITCH, VERTICAL, DIP TYPE	mm	NA	A3	1 OF 1	G16ADX210EU	G16ADX210EU	AX1
X.X ±0.20	CHECKED	Roger Tsai	01/19/2010								
X.XX ±0.20	APPROVED	Arron Lin	01/19/2010								
X.XXX ±0.10	DWG TYPE	CUST DWG	PROJECT CODE								
ANGULAR ±1°											
UNLESS OTHERWISE SPECIFIED											

Amphenol®

Amphenol Corporation
Amphenol Taiwan Corporation

