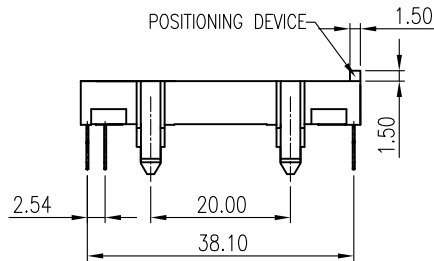
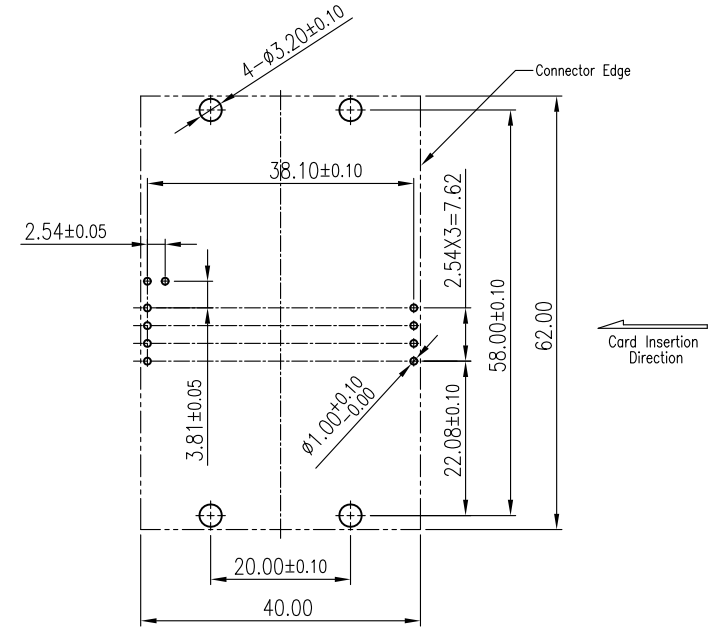
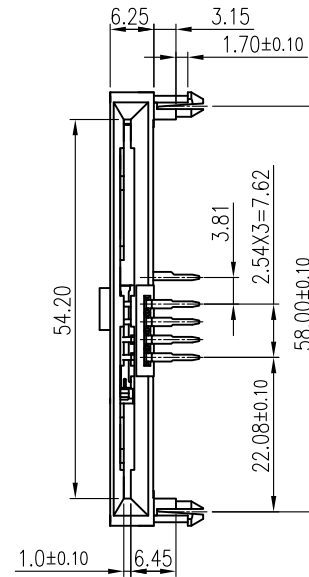
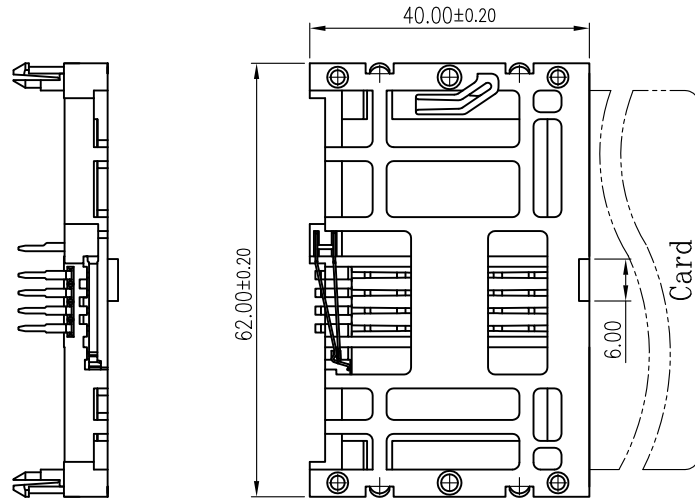


This document is the property of Amphenol Corporation and is delivered on the express condition that it is not to be disclosed, reproduced or used, in whole or in part, for manufacture or sale by anyone other than Amphenol Corporation without its prior consent, and that no right is granted to disclose or to use any information in this document.

The marking on this product doesn't contain environmental hazardous materials per Material Specification 55-00259 for Sony GP compliant or per directive 2002/95/EC for RoHS compliant.

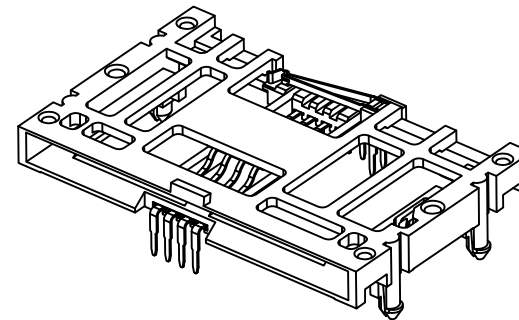
**PRELIMINARY RELEASE
SUBJECT TO CHANGE**

REVISIONS				
SYM	ECN No.	DESCRIPTION	DATE	APPROVED
AX1		NON-RELEASE REVISION	01/25/2010	Roger Tsai



NOTES:

- MATERIAL:**
HOUSING: THERMAL PLASTIC, UL94V-0, COLOR: BLACK.
TERMINAL: COPPER ALLOY.
SWITCH: COPPER ALLOY.
- FINISH:**
TERMINAL:
CONTACT AREA: GOLD PLATING 15 μ" THICKNESS MIN.;
SOLDERING AREA: TIN PLATING 100 μ" THICKNESS MIN.;
UNDER PLATING: NICKEL PLATING 50 μ" THICKNESS MIN. OVERALL.
SWITCH:
CONTACT AREA: GOLD PLATING 15 μ" THICKNESS MIN.;
SOLDERING AREA: TIN PLATING 100 μ" THICKNESS MIN.;
UNDER PLATING: NICKEL PLATING 50 μ" THICKNESS MIN. OVERALL.
- PACKING IS PER AMTA PACKING SPECIFICATION PKS-0001.
- THIS PRODUCT DOESN'T CONTAIN ENVIRONMENTAL HAZARDOUS PER DIRECTIVE 2002/95/EC FOR RoHS COMPLIANT.



TOLERANCE		APPROVALS		DATE	TITLE		Amphenol®						
X.		DRAWN	Roger Tsai	01/25/2010	SMART CARD CONNECTOR SINGLE DECK TYPE, STAND OFF=3.15 MM WITH BLOCK (NORMAL CLOSE)		Amphenol Corporation Amphenol Taiwan Corporation						
X.X	±0.30	CHECKED	Daniel Hsieh	01/25/2010									
X.XX	±0.20	APPROVED	Roger Tsai	01/25/2010									
X.XXX	±0.10	DWG TYPE	CUST DWG	PROJECT CODE						OTHER			
ANGULAR	±1°					UNIT	mm	SIZE	A3	PART No.	G85A10082143EU		
UNLESS OTHERWISE SPECIFIED						SCALE	NA	SHEET	1 OF 1	DWG No.	G85A10082143EU	REV.	AX1