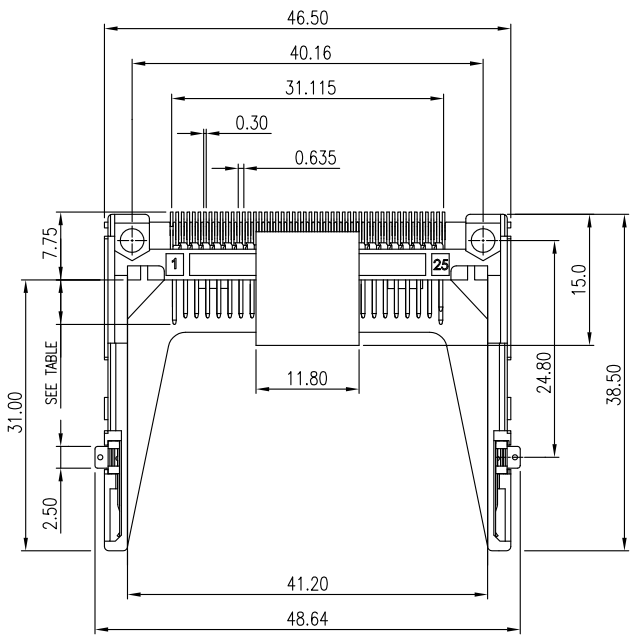


This document is the property of Amphenol Corporation and is delivered on the express condition that is not to be disclosed, reproduced or used, in whole or in part, for manufacture or sale by anyone other than Amphenol Corporation without its prior consent, and that no right is granted to disclose or to use any information in this document.

The marking on this product doesn't contain environmental hazardous materials per Material Specification 55-00259 for Sony GP compliant or per directive 2002/95/EC for RoHS compliant.

**PRELIMINARY RELEASE
SUBJECT TO CHANGE**

REVISIONS				
SYM	ECN No.	DESCRIPTION	DATE	APPROVED
AX1		NON-RELEASE REVISION	01/20/2010	Roger Tsai

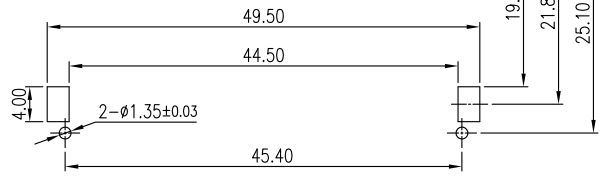
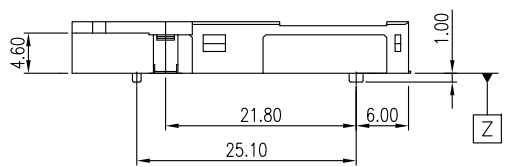
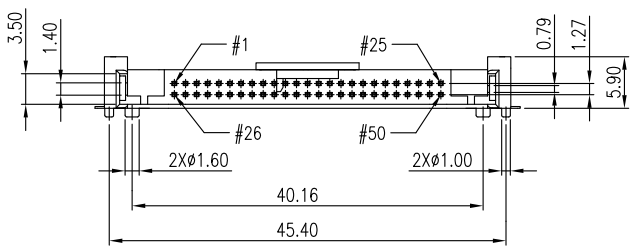
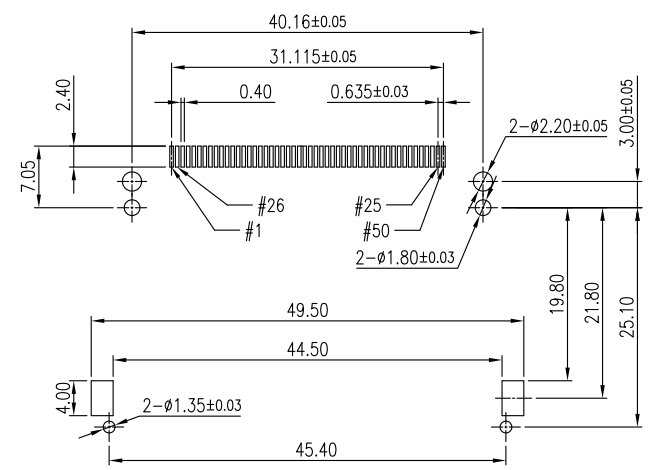


PART NO. G659C5013X101EU

CONTACT FINISH
 O: GOLD FLASH
 1: 5 μ" GOLD
 2: 15 μ" GOLD
 3: 30 μ" GOLD

Table		
Pin Type	Interface Dim.	Pin No.
Detect	3.50mm (0.138in)	25,26
General	4.25mm (0.167in)	The Others
Power	5.00mm (0.197in)	01,13,38,50

- NOTES:
- MATERIAL:
 HOUSING: HIGH TEMPERATURE THERMAL PLASTIC, UL94V-0, COLOR: IVORY.
 PICK-UP CAP: HIGH TEMPERATURE THERMAL PLASTIC, UL94V-0. COLOR: BLACK.
 TERMINAL: COPPER ALLOY.
 HOLDDOWN: COPPER ALLOY.
 - FINISH:
 TERMINAL:
 CONTACT AREA: SELECTED GOLD PLATING;
 SOLDERING AREA: TIN PLATING 100 μ" THICKNESS MIN.;
 UNDER PLATING: NICKEL PLATING 50 μ" THICKNESS MIN. OVERALL.
 - PACKING IS PER AMTA PACKING SPECIFICATION PKS-0001.
 - THIS PRODUCT DOESN'T CONTAIN ENVIRONMENTAL HAZARDOUS PER DIRECTIVE 2002/95/EC FOR RoHS COMPLIANT.



RECOMMENDED PCB LAYOUT
TOLERANCE: ±0.05mm

TOLERANCE		APPROVALS		DATE	TITLE		Amphenol®				
X.		DRAWN	Roger Tsai	01/20/2010	CF CARD HEADER, TYPE II NORMAL TYPE		Amphenol Corporation Amphenol Taiwan Corporation				
X.X	±0.30	CHECKED	Daniel Hsieh	01/20/2010							
X.XX	±0.20	APPROVED	Roger Tsai	01/20/2010			UNIT	mm	SIZE	A3	
X.XXX	±0.10	DWG TYPE	CUST DWG	PROJECT CODE			OTHER	SCALE	NA	SHEET	1 OF 1
ANGULAR		±1°						DWG No.	G659C5013X101EU	REV.	AX1
UNLESS OTHERWISE SPECIFIED											