

This document is the property of Amphenol Corporation and is delivered on the express condition that is not to be disclosed, reproduced or used, in whole or in part, for manufacture or sale by anyone other than Amphenol Corporation without its prior consent, and that no right is granted to disclose or to use any information in this document.

The marking on this product doesn't contain environmental hazardous materials per Material Specification 55-00259 for Sony GP compliant or per directive 2002/95/EC for RoHS compliant.



ORIGINAL

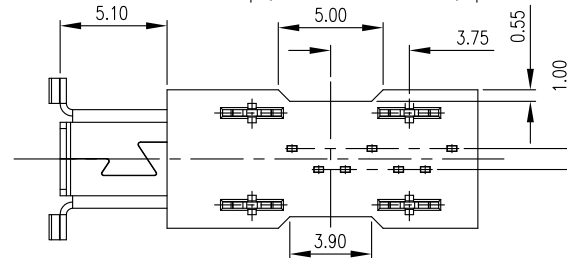
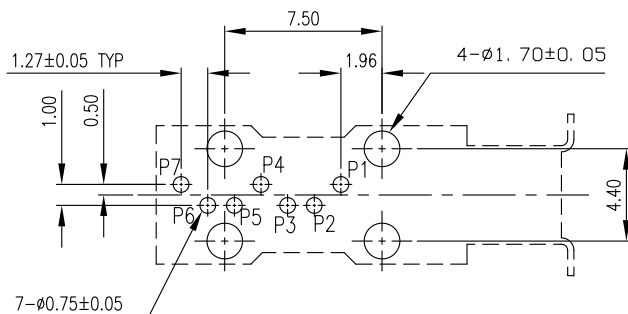
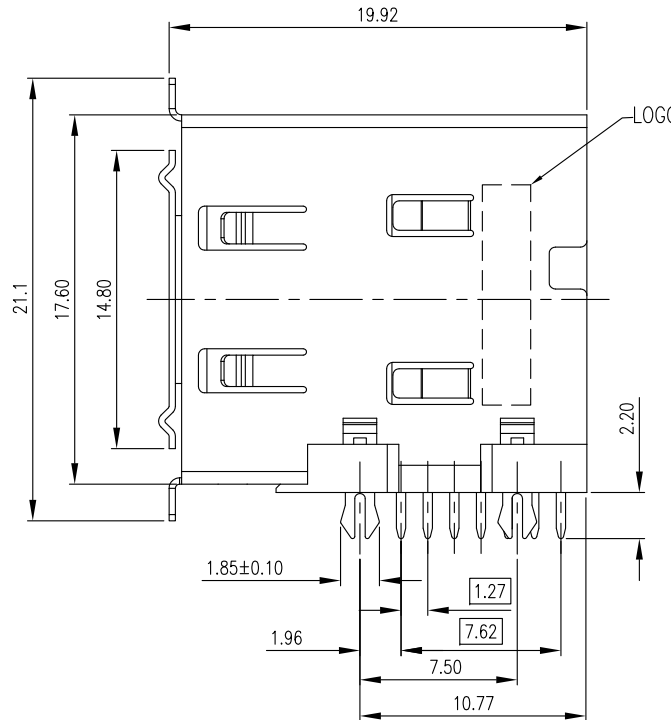
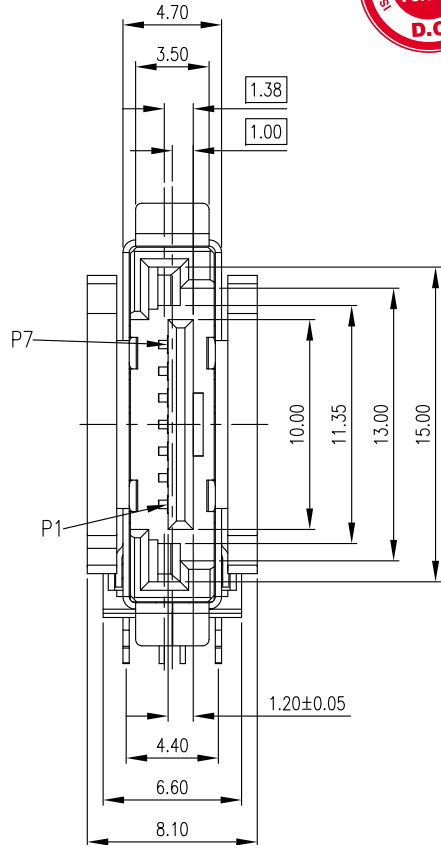
REVISIONS				
SYM	ECN No.	DESCRIPTION	DATE	APPROVED
A		RELEASE TO PRODUCTION	11/28/2008	Hank Hsu
B	NE-09068	MODIFIED DRAWING	04/17/2009	Arron Lin
C	NE-09084	ADD PACKING DRAWING	05/08/2009	Arron Lin
D	NE-09111	MODIFIED PACKING DRAWING	06/30/2009	Arron Lin
E	NE-09150	ADD BLACK COLOR OPTION	09/01/2009	Roger Tsai
F	NE-09196	MODIFIED DIM	12/10/2009	Arron Lin

NOTES:

- MATERIAL:
 - HOUSING: HIGH TEMPERATURE THERMO PLASTIC UL94V-0
 - TERMINAL: BRASS
 - BOARD LOCK: BRASS
 - SHELL: BRASS
- FINISH:
 - TERMINAL:
 - CONTACT AREA: SELECTIVE GOLD PLATING.
 - SOLDERING AREA: MATT TIN PL. 80 μ" THK MIN.
 - UNDER PL.: NICKEL PL. 50 μ" THK MIN.
 - BOARD LOCK:
 - UNDER PL.: NICKEL PL. 50 μ" THK MIN OVER ALL.
- THIS PRODUCT DOESN'T CONTAIN ENVIRONMENTAL HAZARDOUS PER DIRECTIVE 2002/95/EC FOR RoHS COMPLIANT.
- PACKING REFER TO PKS-G45A19001

PART NO. G0916X21X1AEU

CONTACT FINISH COLOR OPTION
 0: GOLD FLASH 9: RED (1807C)
 1: 15 μ" GOLD A: BLACK
 2: 30 μ" GOLD



P.C. BOARD MOUNTING DIMENSIONS t=1.60mm
 PCB TOLERANCE: ±0.05

TOLERANCE	DRAWN	APPROVALS	DATE	TITLE						
X. ±0.30	BESTIGNED	Daniel Hsieh	12/10/2009	G09 SERIES E-SATA CONNECTOR UP-RIGHT, DIP TYPE	<div style="text-align: center;"> <p>Amphenol[®]</p> <p>Amphenol Corporation Amphenol Taiwan Corporation</p> </div>					
X.X ±0.20	CHECKED	Roger Tsai	12/10/2009							
X.XXX ±0.10	APPROVED	Arron Lin	12/10/2009							
ANGULAR ±1°	DWG TYPE	CUST DWG	PROJECT CODE							
UNLESS OTHERWISE SPECIFIED					UNIT	mm	SIZE	A3	PART No.	G0916X21X1AEU
					SCALE	NA	SHEET	1 OF 2	DWG No.	G0916X2191ATEU
									REV.	F

This document is the property of Amphenol Corporation and is delivered on the express condition that is not to be disclosed, reproduced or used, in whole or in part, for manufacture or sale by anyone other than Amphenol Corporation without its prior consent, and that no right is granted to disclose or to use any information in this document.

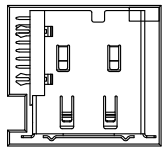
The marking on this product doesn't contain environmental hazardous materials per Material Specification 55-00259 for Sony GP compliant or per directive 2002/95/EC for RoHS compliant.



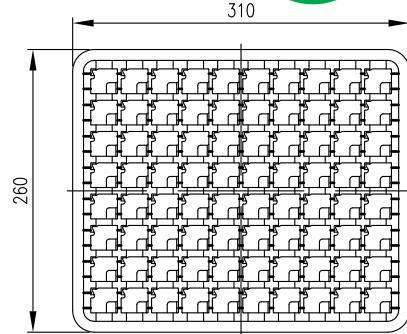
ORIGINAL

REVISIONS				
SYM	ECN No.	DESCRIPTION	DATE	APPROVED
A		RELEASE TO PRODUCTION	11/28/2008	Hank Hsu
B	NE-09068	MODIFIED DRAWING	04/17/2009	Arron Lin
C	NE-09084	ADD PACKING DRAWING	05/08/2009	Arron Lin
D	NE-09111	MODIFIED PACKING DRAWING	06/30/2009	Arron Lin
E	NE-09150	ADD BLACK COLOR OPTION	09/01/2009	Roger Tsai
F	NE-09196	MODIFIED DIM	12/10/2009	Arron Lin

- 1) PIC-1: PRODUCT.
- 2) PIC-2: TRAY: 310*260*18.4.

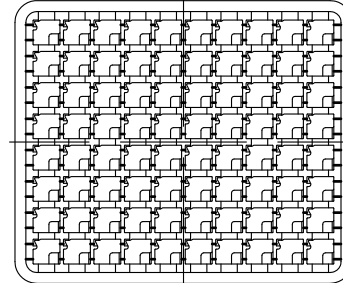


PIC-1

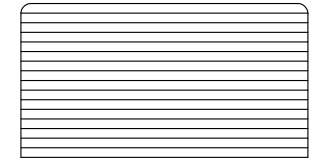


PIC-2

- 1) PIC-3: 15 PCS PRODUCT/TRAY.
- 2) PIC-4: 16 LAYERS.

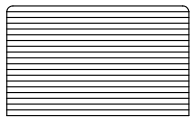


PIC-3

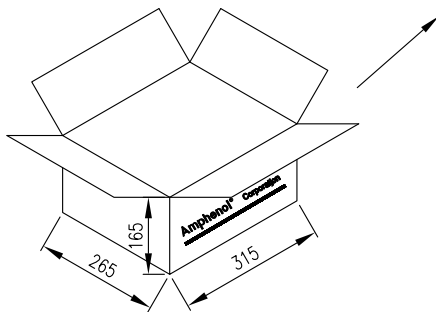
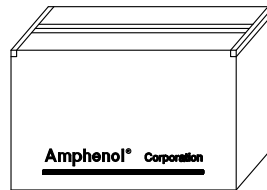


PIC-4

- 1) PIC-5: CARTON: 315*265*165.
- 2) PIC-6: 80 LAYERS*15 PCS=1200/CARTON.

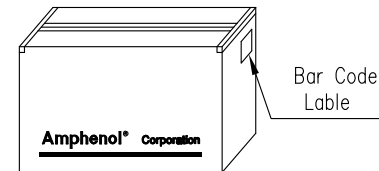


PIC-6



PIC-5

- 1) PIC-7: ENVELOP SHIPPING CARTON.
 - 2) LABEL MUST SHOW AMPHENOL PART NO. & Q'TY
- N.W. 5.14Kg/CARTON
G.W. 5.63Kg/CARTON



PIC-7

TOLERANCE	DRAWN	APPROVALS	DATE	TITLE	Amphenol®				
X. ±0.30	DESIGNED	Daniel Hsieh	12/10/2009	G09 SERIES E-SATA CONNECTOR UP-RIGHT, DIP TYPE	Amphenol Corporation Amphenol Taiwan Corporation				
X.X ±0.20	CHECKED	Roger Tsai	12/10/2009						
X.XX ±0.10	APPROVED	Arron Lin	12/10/2009		UNIT mm	SIZE A3	PART No.	G0916X21X1AEU	
ANGULAR ±1°	DWG TYPE	CUST DWG	PROJECT CODE		SCALE NA	SHEET 2 OF 2	DWG No.	G0916X2191ATEU	REV. F
UNLESS OTHERWISE SPECIFIED			SKT						