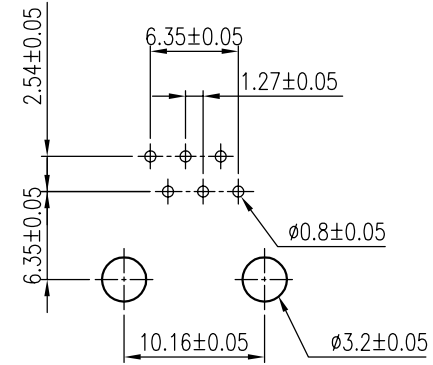
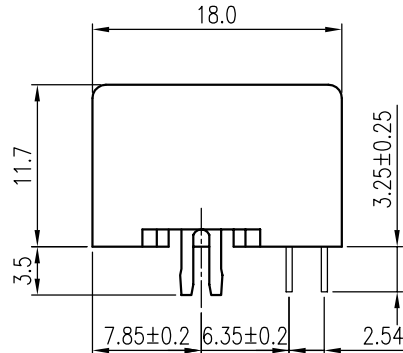
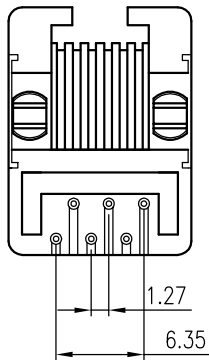
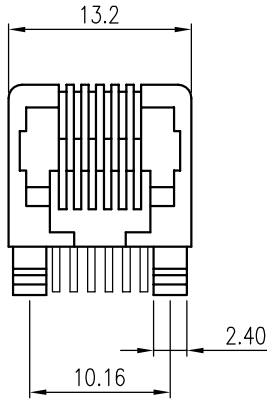
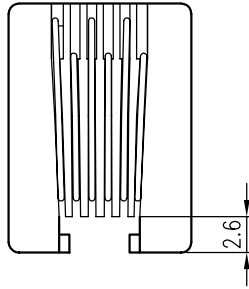


This document is the property of Amphenol Corporation and is delivered on the express condition that it is not to be disclosed, reproduced or used, in whole or in part, for manufacture or sale by anyone other than Amphenol Corporation without its prior consent, and that no right is granted to disclose or to use any information in this document.

CUSTOMER DRAWING

ORIGINAL

REVISIONS				
SYM	ECN No.	DESCRIPTION	DATE	APPROVED
A		RELEASE FOR RoHS	09/09/2005	Henry Ko



RECOMMENDED PCB LAYOUT



NOTES:

- INSULATOR: PBT UL 94V-0 RATED, COLOR- BLACK
- CONTACT: PHOSPHOR BRONZE, SELECTIVE GOLD PLATED ON CONTACT AREA
- THIS PRODUCT DOESN'T CONTAIN ENVIRONMENTAL HAZARDOUS MATERIAL PER DIRECTIVE 2002/95/EC FOR RoHS.
- THE PRODUCT MUST BE FOR DIP PROCESS ONLY

G71C 0025 4 EU	50μ"
G71C 0025 3 EU	30μ"
G71C 0025 2 EU	15μ"
G71C 0025 1 EU	6μ"
PART NUMBER	FINISH

TOLERANCE m/m	APPROVALS	DATE	TITLE	SCALE N.A. SHEET 1 OF 1		
x. ±0.30	DRAWN Sondra Sang	09/09/05	G71C SERIES 6P6C, SIDE ENTRY VERY LOW PROFILE	DRAWING NO. MJK-G71C0025XEU-04	REV. A	Amphenol® Amphenol Corporation Amphenol Taiwan Corporation
x.x ±0.25	CHECKED Laura Su	09/09/05				
x.xx ±0.15	APPROVED Ken Lin for	09/09/05				
x.xxx ±0.08						
ANGULAR ±2°						
UNLESS OTHERWISE SPECIFIED		UNIT MM	SIZE A4	PART NO. G71C 0025X EU		