

This document is the property of Amphenol Corporation and is delivered on the express condition that it is not to be disclosed, reproduced or used, in whole or in part, for manufacture or sale by anyone other than Amphenol Corporation without its prior consent, and that no right is granted to disclose or to use any information in this document.

The marking on this product doesn't contain environmental hazardous materials per Material Specification SS-00259 for Sony GP compliant or per directive 2002/95/EC for RoHS compliant.



# CUSTOMER DRAWING



REVISIONS				
SYM	ECN No.	DESCRIPTION	DATE	APPROVED
A		RELEASE TO PRODUCTION	08/11/2005	Henry Ko
B	NE-05305	MODIFY PART NO.	09/27/2005	Wayde Chen
C	NE-06135	REVISE RECOMMENDED PCB LAYOUT	05/23/2006	Armstrong Kac
D	NE-06142	REVISE RECOMMENDED PCB LAYOUT	05/24/2006	Armstrong Kac
E	NE-09149	ADD P/N SYSTEM OPTION	08/31/2009	Hank Hsu

## ORIGINAL

P/N SYSTEM:

G09 1 1 X 1 3 0 X X LF

CONTACT FINISH:

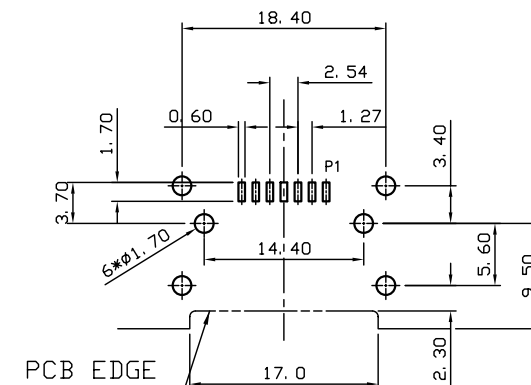
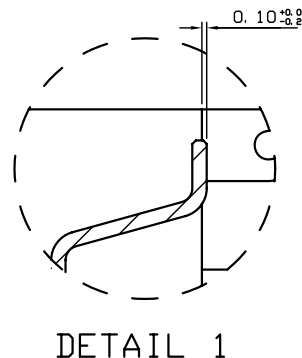
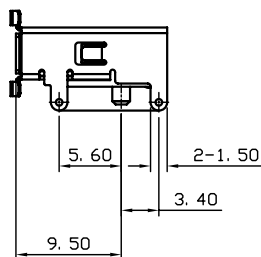
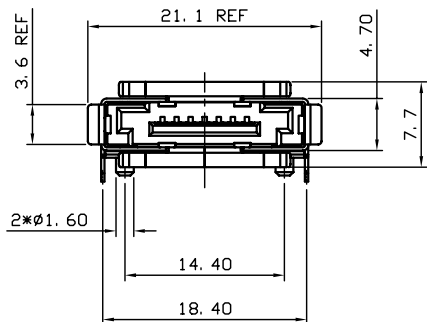
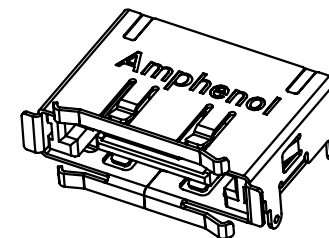
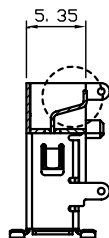
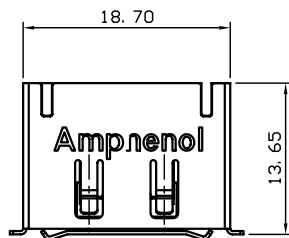
- 0: CONTACT:GOLD FLASH; SHELL:NICKEL PLATING
- 2: CONTACT:30u" GOLD; SHELL:TIN PLATING
- 3: CONTACT:30u" GOLD; SHELL:NICKEL PLATING + GOLD FLASH
- 4: CONTACT:30u" GOLD; SHELL:NICKEL PLATING
- 5: CONTACT:15u" GOLD; SHELL:NICKEL PLATING
- 6: CONTACT:GOLD FLASH; SHELL:TIN PLATING
- 7: CONTACT:GOLD FLASH; SHELL:NICKEL PLATING + GOLD FLASH
- 8: CONTACT:15u" GOLD; SHELL:NICKEL PLATING + GOLD FLASH

EXTENSION CODE:

- BLANK: AMPHEMOL LOGO  
A: W/O LOGO

PACKAGING CODE:

- 0: TAPE AND REEL PACKING  
1: TRAY PACKAGING  
4: TAPE AND REEL PACKING+NYLAR



RECOMMEND PCB LAYOUT

x.x ±0.05

x.xx ±0.10

NOTES:

1. INSULATOR: HIGH TEMPERATURE THERMOPLASTIC, UL 94V-0, COLOR- BLACK
2. CONTACT: COPPER ALLOY, 0.3mm THICKNESS, SELECTIVE GOLD PLATED ON CONTACT AREA, TIN PLATED ON SOLDERING TAIL
3. SHELL: COPPER ALLOY, 0.3mm THICKNESS, NICKEL PLATED
4. THIS PRODUCT DOESN'T CONTAIN ENVIRONMENTAL HAZARDOUS MATERIALS PER MATERIAL SPECIFICATION SS-00259 FOR SONY GP
5. PACKING PER AMTA PACKING SPECIFICATION PKS-0001
6. △ ARE CRITICAL DIMENSIONS

TOLERANCE m/m	APPROVALS	DATE	TITLE		Amphenol® Amphenol Corporation Amphenol Taiwan Corporation	
x. ±0.30	DRAWN Chenny Yeh	11/29/07	G09 SERIES E-SATA CONNECTOR PLUG, 7-POS. R/A SMT, NORMAL		SCALE N.A. SHEET 1 OF 1	
x.x ±0.25	CHECKED Sondra Sang	11/29/07				
x.xx ±0.15	APPROVED Hank Hsu	11/29/07				
x.xxx ±0.08			SIZE A4	PART NO. G09 1121301LF	ENGINEERING DWG NO. T371-G091121301LF	REV. E
ANGULAR ±2°			UNIT MM			
UNLESS OTHERWISE SPECIFIED						