

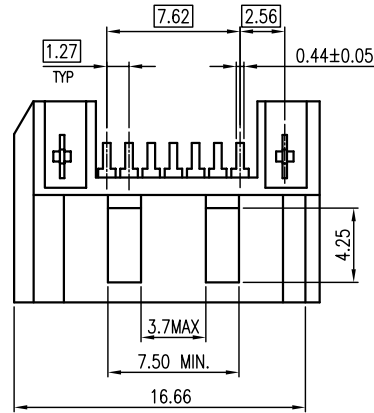
This document is the property of Amphenol Corporation and is delivered on the express condition that is not to be disclosed, reproduced or used, in whole or in part, for manufacture or sale by anyone other than Amphenol Corporation without its prior consent, and that no right is granted to disclose or to use any information in this document.
The marking on this product doesn't contain environmental hazardous materials per Material Specification 55-00259 for Sony GP compliant or per directive 2002/95/EC for RoHS compliant.



ORIGINAL



REVISIONS				
SYM	ECN No.	DESCRIPTION	DATE	APPROVED
A		UNAPPROVED REVISION	05/19/2009	Arron Lin
B	NE-10082	MODIFIED MATERIAL OPTION	06/18/2010	Roger Tsai



PART NO. G16AJX21XXEU

CONTACT FINISH
0: GOLD FLASH
1: 15 μ g GOLD
2: 30 μ g GOLD

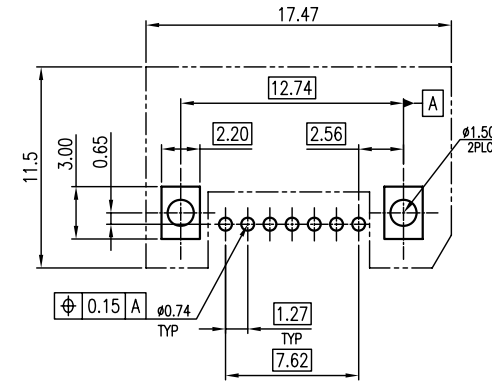
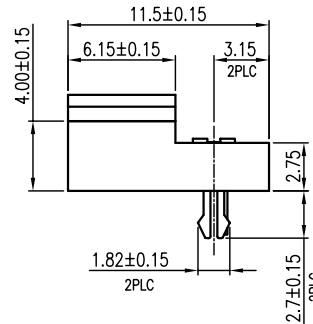
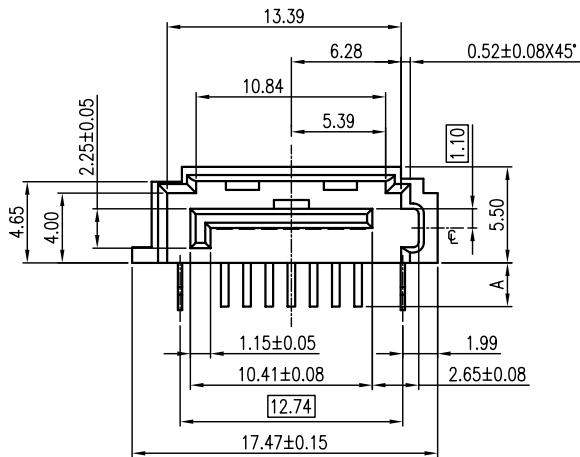
DIM OPTION
0: 2.50 mm.
1: 2.00 mm.

MATERIAL OF INSULATION
0: LCP
P: NYLON 6T

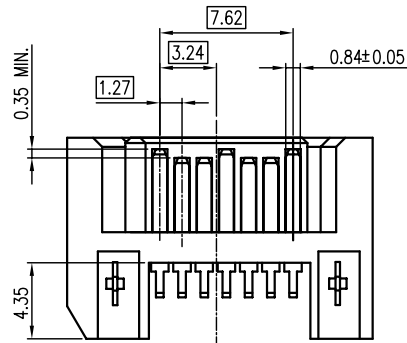
PART NO.	DIM A
G16AJX21X0EU	2.50 mm.
G16AJX21X1EU	2.00 mm.

NOTES:

- MATERIAL:
HOUSING: HIGH TEMPERATURE THERMAL PLASTIC, UL94V-0, COLOR: BLACK.
TERMINAL: COPPER ALLOY.
BOARD LOCK: COPPER ALLOY.
- FINISH:
TERMINAL:
CONTACT AREA: SELECTED GOLD PLATING;
SOLDERING AREA: TIN PLATING 100 μ " THICKNESS MIN.;
UNDER PLATING: NICKEL PLATING 50 μ " THICKNESS MIN. OVERALL.
BOARD LOCK:
SOLDERING AREA: TIN PLATING 100 μ " THICKNESS MIN.;
UNDER PLATING: NICKEL PLATING 50 μ " THICKNESS MIN. OVERALL.
- PACKING IS PER AMTA PACKING SPECIFICATION PKS-G16AJ001.
- THIS PRODUCT DOESN'T CONTAIN ENVIRONMENTAL HAZARDOUS PER DIRECTIVE 2002/95/EC FOR RoHS COMPLIANT.



RECOMMEND PCB LAYOUT
PCB TOLERANCE: ±0.05



TOLERANCE	APPROVALS	DATE	TITLE				
X. ±0.30	DRAWN Roger Tsai	06/18/2010	SATA 7 PIN DIP TYPE FOOTPRINT 0.65 MM	 Amphenol Corporation Amphenol Taiwan Corporation PART No. G16AJX21XXEU			
X.X ±0.20	CHECKED Aqua Chou	06/18/2010					
X.XXX ±0.10	APPROVED Roger Tsai	06/18/2010					
ANGULAR ±1°	DWG TYPE CUST DWG	PROJECT CODE SKT		UNIT mm	SIZE A3	DWG No. G16AJX21XXEU	
UNLESS OTHERWISE SPECIFIED			SCALE NA	SHEET 1 OF 2	REV. B		

This document is the property of Amphenol Corporation and is delivered on the express condition that is not to be disclosed, reproduced or used, in whole or in part, for manufacture or sale by anyone other than Amphenol Corporation without its prior consent, and that no right is granted to disclose or to use any information in this document.

The marking on this product doesn't contain environmental hazardous materials per Material Specification 55-00259 for Sony GP compliant or per directive 2002/95/EC for RoHS compliant.

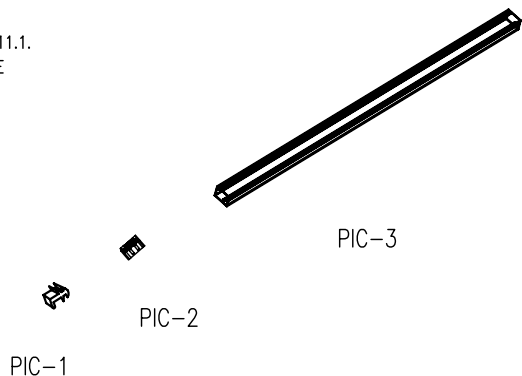


ORIGINAL

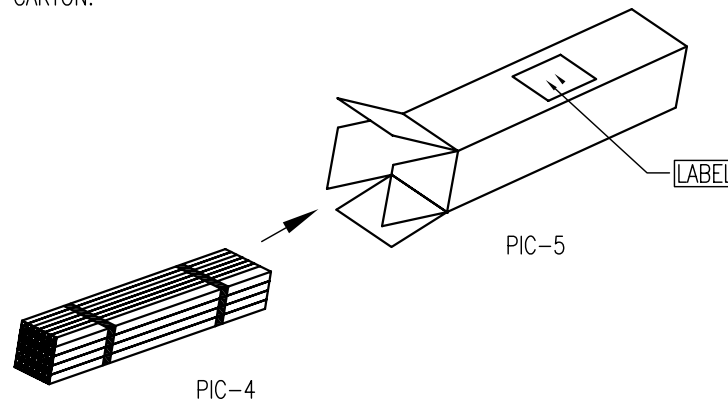


REVISIONS				
SYM	ECN No.	DESCRIPTION	DATE	APPROVED
A		UNAPPROVED REVISION	05/19/2009	Arron Lin
B	NE-10082	MODIFIED MATERIAL OPTION	06/18/2010	Roger Tsai

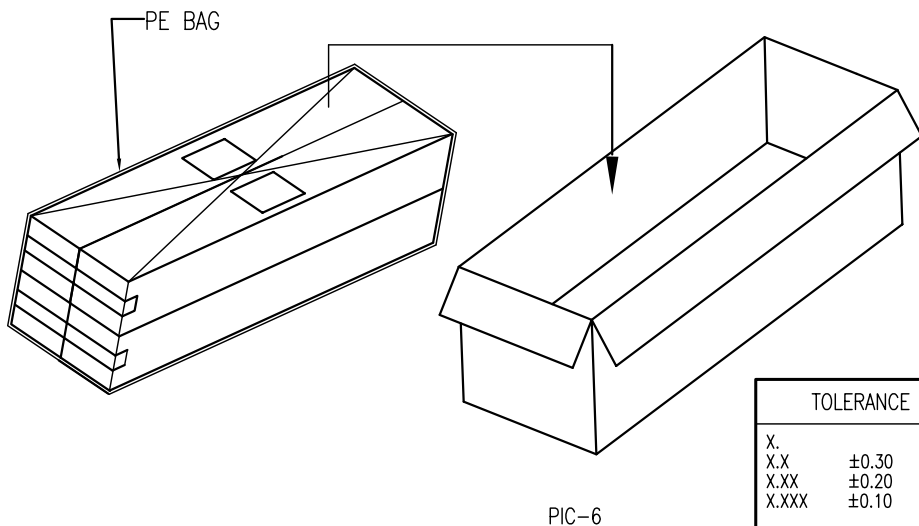
- 1.
- 1)PIC-1: PLUG.
 - 2)PIC-2: PRODUCT.
 - 3)PIC-3: TUBE:465*14.5*11.1.
25PCS PRODUCTS/TUBE



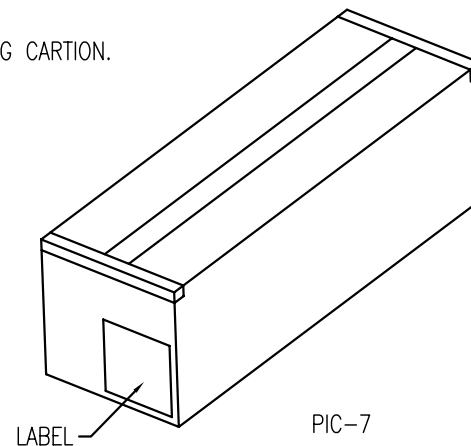
- 2.
- 1)PIC-4: 5 TUBE/1 LAYER, 6 LAYERS TOTALL.
 - 2)PIC-5: INNER CARTON:485*86*72.
750PCS/INNER CARTON.



- 3.
- 1)PIC-6:OUT CARTION:500*187*169.
INNER CARTION*4=3000 PCS/OUT CARTION.



- 4.
- 1)PIC-7: ENVELOP SHIPPING CARTION.



TOLERANCE		APPROVALS		DATE	TITLE		Amphenol®		
X.		DRAWN	Roger Tsai	06/18/2010	SATA 7 PIN DIP TYPE FOOTPRINT 0.65 MM PACKING FO G16AJX21XXEU		Amphenol Corporation Amphenol Taiwan Corporation		
X.X	±0.30	CHECKED	Aqua Chou	06/18/2010					
X.XX	±0.20	APPROVED	Roger Tsai	06/18/2010					
X.XXX	±0.10	UNLESS OTHERWISE SPECIFIED		DWG TYPE	PROJECT CODE	UNIT mm SCALE NA	SIZE A3 SHEET 2 OF 2	PART No. PKS-G16AJ001	
ANGULAR	±1°	CUST DWG	SKT	DWG No. PKS-G16AJ001				REV. B	