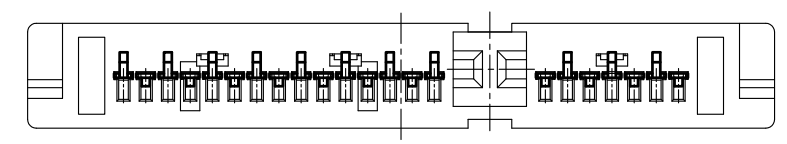
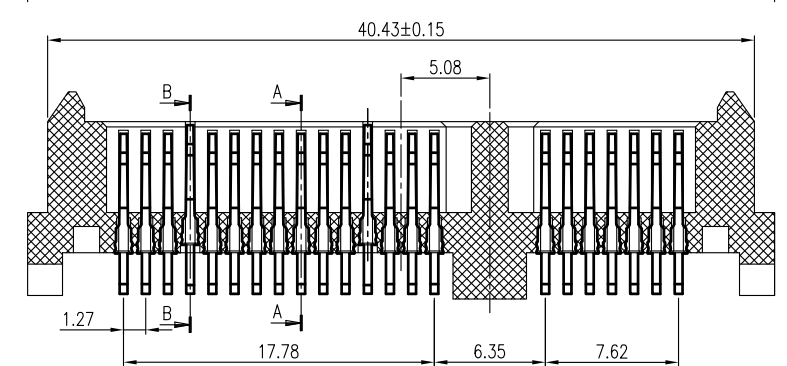
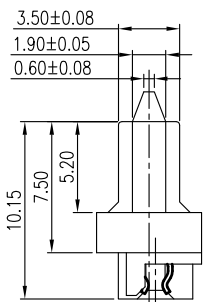
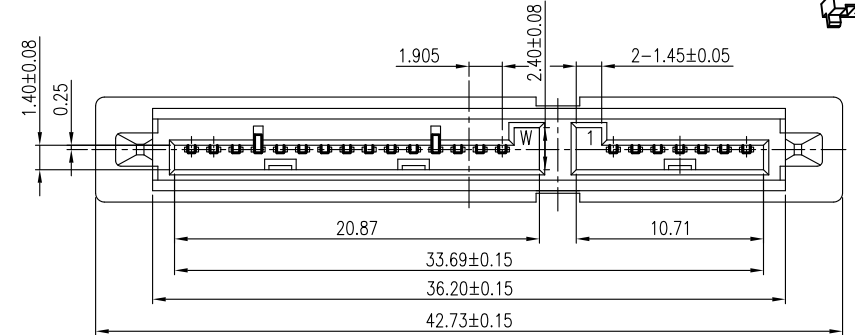


This document is the property of Amphenol Corporation and is delivered on the express condition that is not to be disclosed, reproduced or used, in whole or in part, for manufacture or sale by anyone other than Amphenol Corporation without its prior consent, and that no right is granted to disclose or to use any information in this document.

The marking on this product doesn't contain environmental hazardous materials per Material Specification 55-00259 for Sony GP compliant or per directive 2002/95/EC for RoHS compliant.

**PRELIMINARY RELEASE  
SUBJECT TO CHANGE**

REVISIONS				
SYM	ECN No.	DESCRIPTION	DATE	APPROVED
AX1		NON-RELEASE REVISION	12/02/2009	Arron Lin

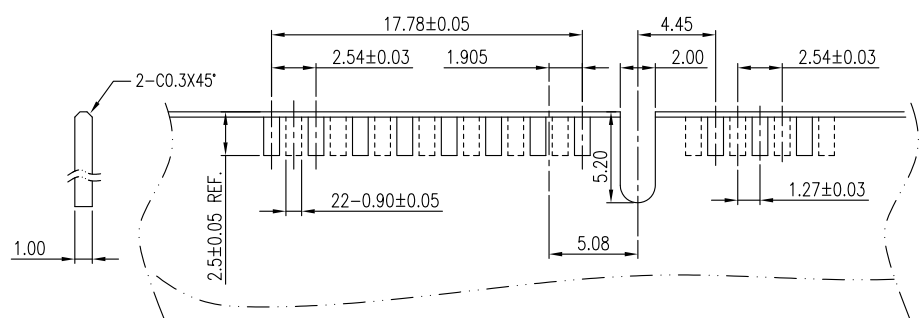


PART NO. G16CE4X650EU

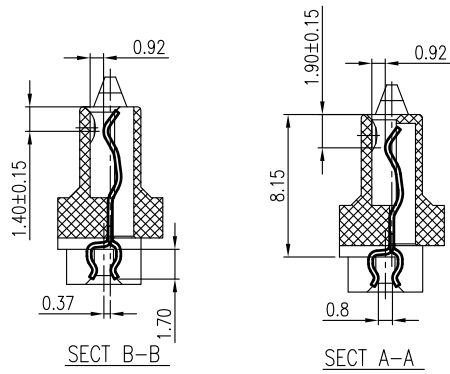
CONTACT FINISH  
0: GOLD FLASH  
1: 15 μ" GOLD  
2: 30 μ" GOLD

NOTES:

- MATERIAL:  
HOUSING: HIGH TEMPERATURE THERMAL PLASTIC, LCP UL94V-0,  
COLOR: BLACK.  
TERMINAL: PHOSPHOR BRONZE.
- FINISH:  
TERMINAL:  
CONTACT AREA: SELECTED GOLD PLATING;  
SOLDERING AREA: TIN PLATING 100 μ" THICKNESS MIN.;  
UNDER PLATING: NICKEL PLATING 50 μ" THICKNESS MIN. OVERALL.
- PACKING IS PER AMTA PACKING SPECIFICATION PKS-0001.
- THIS PRODUCT DOESN'T CONTAIN ENVIRONMENTAL HAZARDOUS PER DIRECTIVE 2002/95/EC FOR RoHS COMPLIANT.



RECOMMENDED P.C.B LAYOUT TOLERANCE ±0.05mm  
TOP VIEW



TOLERANCE		APPROVALS		DATE	TITLE	Amphenol®			
X.		DRAWN	Daniel Hsieh	12/02/2009	S ATA 7+15P STRAIGHT STRADDLE FEMALE (DOUBLE ROW)	Amphenol Corporation Amphenol Taiwan Corporation			
X.X	±0.30	CHECKED	Roger Tsai	12/02/2009		PART No. G16CE4X650EU			
X.XX	±0.20	APPROVED	Arron Lin	12/02/2009		UNIT	mm	SIZE	A3
X.XXX	±0.10	DWG TYPE	CUST DWG	PROJECT CODE		NA	SHEET	1 OF 1	DWG No. G16CE4X650EU
ANGULAR	±1°							REV. AX1	
UNLESS OTHERWISE SPECIFIED									