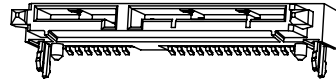


This document is the property of Amphenol Corporation and is delivered on the express condition that it is not to be disclosed, reproduced or used, in whole or in part, for manufacture or sale by anyone other than Amphenol Corporation without its prior consent, and that no right is granted to disclose or to use any information in this document.
The marking on this product doesn't contain environmental hazardous materials per Material Specification SS-00259 for Sony GP compliant or per directive 2002/95/EC for RoHS compliant.



ORIGINAL

REVISIONS				
SYM	ECN No.	DESCRIPTION	DATE	APPROVED
A		RELEASE TO PRODUCTION	08/28/2007	Hank Hsu
B	NE-09181	MODIFIED DIM	11/02/2009	Arron Lin
C	NE-10075	ADDED SHEET 2 PACKAGING DRAWING	06/02/2010	Arron Lin

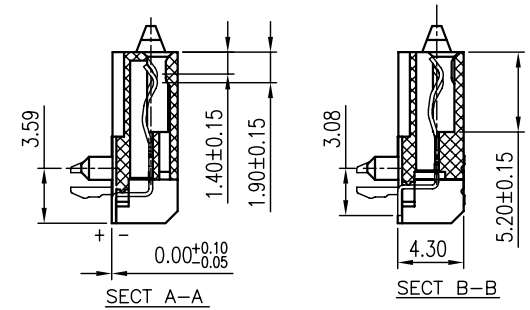
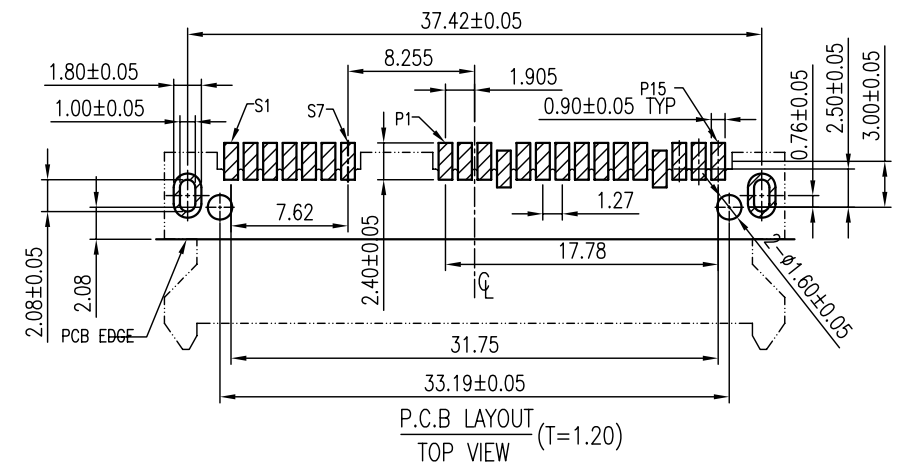
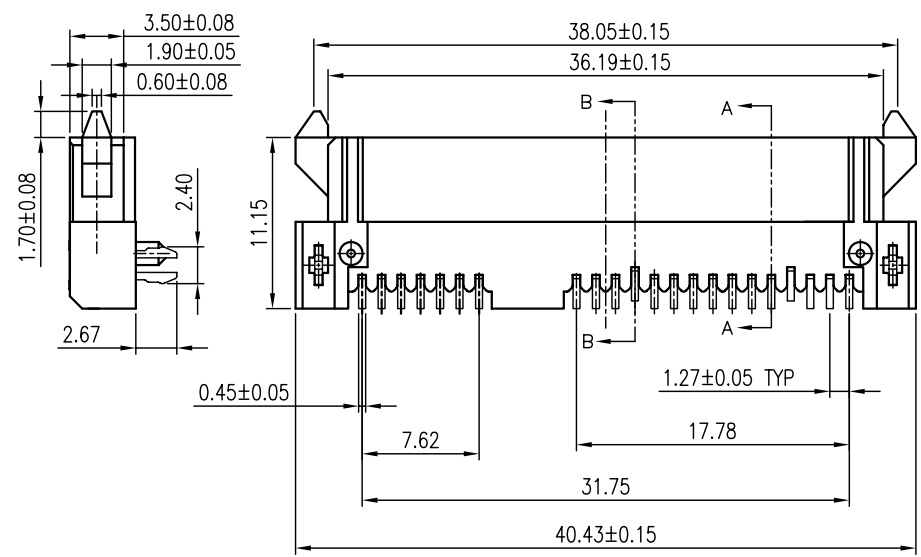
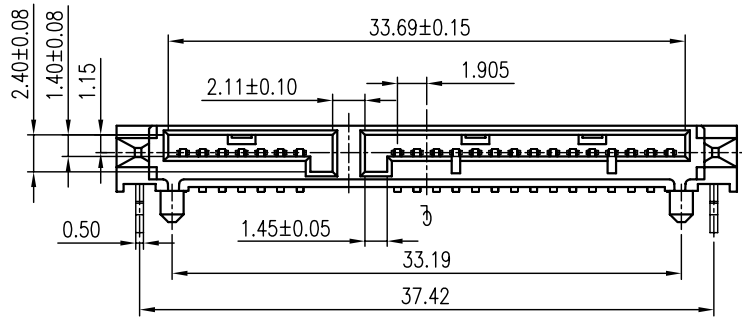
PART NO. G16CE7X110W2EU



CONTACT FINISH
0: GOLD FLASH
1: 15 μ" GOLD
2: 30 μ" GOLD

NOTES:

- MATERIAL:
HOUSING: HIGH TEMPERATURE THERMAL PLASTIC, LCP UL94V-0, COLOR: BLACK.
TERMINAL: PHOSPHOR BRONZE.
BOARDLOCK: BRASS.
- FINISH:
TERMINAL:
CONTACT AREA: SELECTED GOLD PLATING;
SOLDERING AREA: TIN PLATING 100 μ" THICKNESS MIN.;
UNDER PLATING: NICKEL PLATING 50 μ" THICKNESS MIN. OVERALL.
BOARDLOCK:
SOLDERING AREA: TIN PLATING 100 μ" THICKNESS MIN.;
UNDER PLATING: NICKEL PLATING 50 μ" THICKNESS MIN. OVERALL.
- PACKING IS PER AMTA PACKING SPECIFICATION PKS-0001.
- THIS PRODUCT DOESN'T CONTAIN ENVIRONMENTAL HAZARDOUS PER DIRECTIVE 2002/95/EC FOR RoHS COMPLIANT.



TOLERANCE		APPROVALS		DATE	TITLE		Amphenol®						
X		DRAWN	Aqua Chou	06/01/2010	G16CE SERIES SERIAL ATA CONNECTOR POWER & SIGNAL, FEMALE 7P+15P, R/A SMT REVERSE TYPE, HEIGHT 4.3mm		Amphenol Corporation Amphenol Taiwan Corporation						
X.X	±0.30	CHECKED	Roger Tsai	06/01/2010									
X.XX	±0.20	APPROVED	Arron Lin	06/01/2010									
X.XXX	±0.10	DWG TYPE	CUST DWG	PROJECT CODE						SKT			
ANGULAR	±1°					UNIT	mm	SIZE	A3	PART No.	G16CE7X110W2EU		
UNLESS OTHERWISE SPECIFIED						SCALE	NA	SHEET	1 OF 2	DWG No.	G16CE7X110W2EU	REV.	C

This document is the property of Amphenol Corporation and is delivered on the express condition that it is not to be disclosed, reproduced or used, in whole or in part, for manufacture or sale by anyone other than Amphenol Corporation without its prior consent, and that no right is granted to disclose or to use any information in this document.

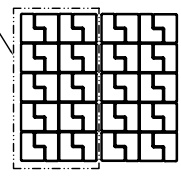
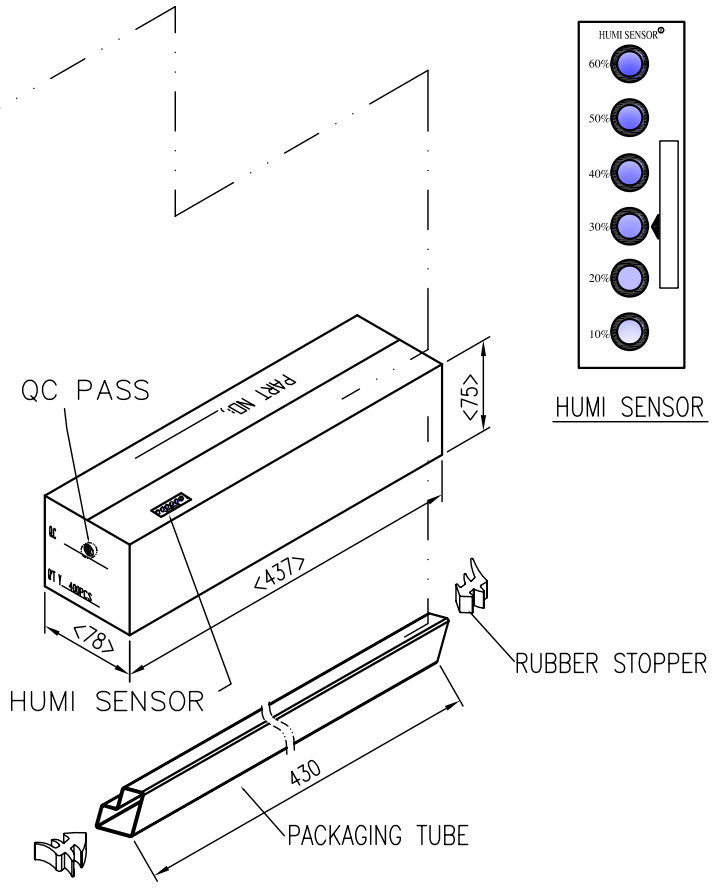
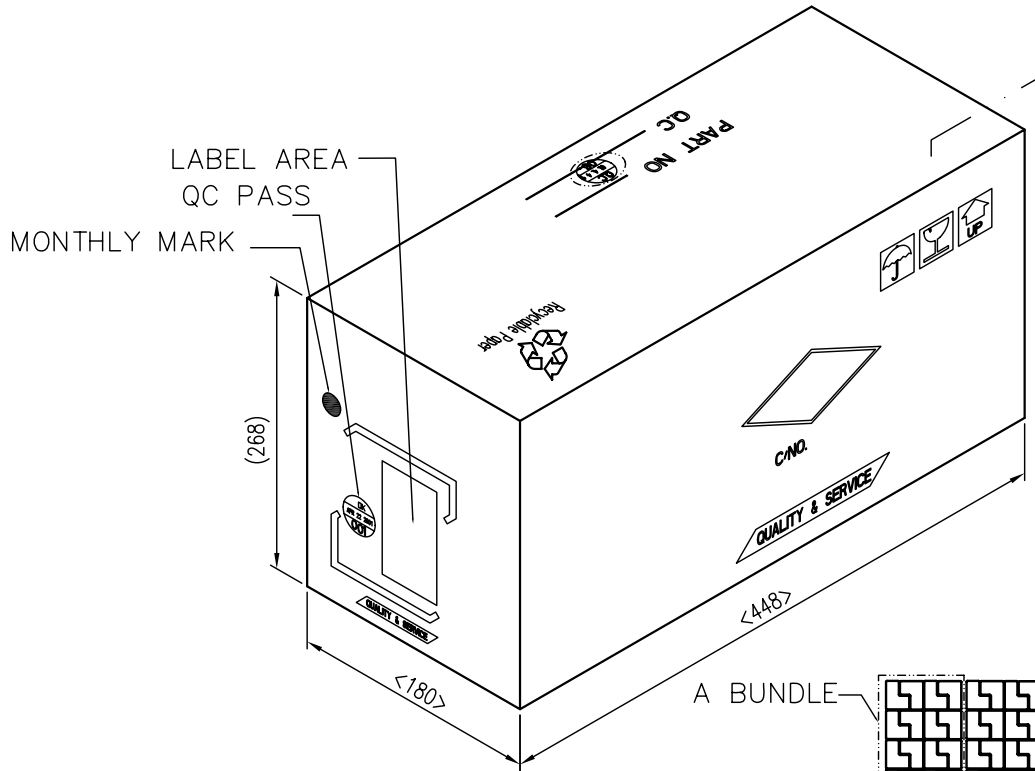
The marking on this product doesn't contain environmental hazardous materials per Material Specification 55-00259 for Sony GP compliant or per directive 2002/95/EC for RoHS compliant.



ORIGINAL



REVISIONS				
SYM	ECN No.	DESCRIPTION	DATE	APPROVED
A		RELEASE TO PRODUCTION	08/28/2007	Hank Hsu
B	NE-09181	MODIFIED DIM	11/02/2009	Arron Lin
C	NE-10075	ADDED SHEET 2 PACKAGING DRAWING	05/28/2010	Arron Lin



NOTES:

1. MATERIAL: POLYETHYLENE (PE)
2. STAPLES SHOULD ONLY BE USED TO SET UP CARTON. ALL CARTON CLOSURE MUST BE DONE WITH TAPE.
3. FILL PACKAGING TUBES WITH THE QUANTITIES AS INDICATED IN THE CHART.

PART NUMBER	G/W $\langle \text{KG} \rangle$	N/W $\langle \text{KG} \rangle$	PARTS PER CARTON $\langle \text{S.P.Q} \rangle$	PARTS PER TUBE	TOTEL TUBE PER CARTON
G16CE7X110W2EU	10.7	4.6	2400	10	40

TOLERANCE		APPROVALS		DATE	TITLE		Amphenol®						
X.		DRAWN	Aqua Chou	06/01/2010	G16CE SERIES SERIAL ATA CONNECTOR POWER & SIGNAL, FEMALE 7P+15P, R/A SMT REVERSE TYPE, HEIGHT 4.3mm		Amphenol Corporation Amphenol Taiwan Corporation						
X.X	± 0.30	CHECKED	Roger Tsai	06/01/2010									
X.XX	± 0.20	APPROVED	Arron Lin	06/01/2010									
X.XXX	± 0.10						UNIT	mm	SIZE	A3	PART No.	G16CE7X110W2EU	
ANGULAR $\pm 1^\circ$		DWG TYPE		CUST DWG	PROJECT CODE		SCALE	NA	SHEET	2 OF 2	DWG No.	G16CE7X110W2EU	
UNLESS OTHERWISE SPECIFIED												REV.	C