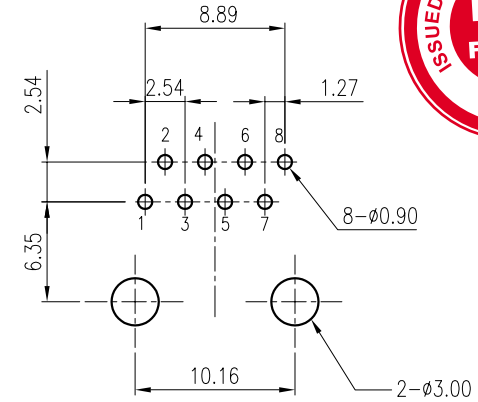
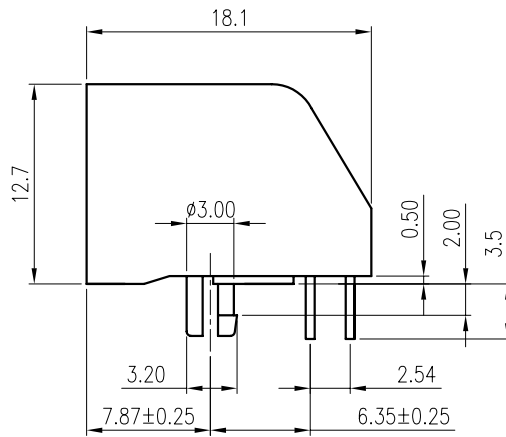
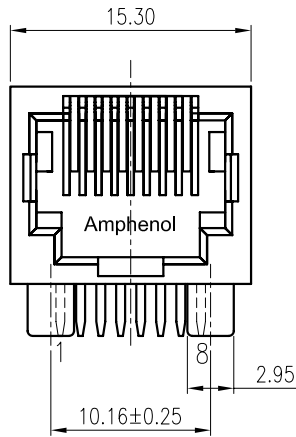


This document is the property of Amphenol Corporation and is delivered on the express condition that is not to be disclosed, reproduced or used, in whole or in part, for manufacture or sale by anyone other than Amphenol Corporation without its prior consent, and that no right is granted to disclose or to use any information in this document.

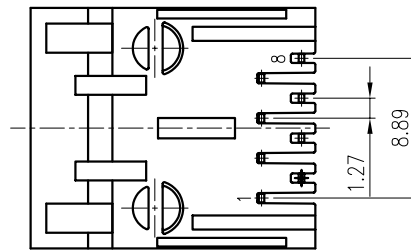
The marking on this product doesn't contain environmental hazardous materials per Material Specification SS-00259 for Sony GP compliant or per directive 2002/95/EC for RoHS compliant.

ORIGINAL

REVISIONS				
SYM	ECN No.	DESCRIPTION	DATE	APPROVED
A		NEW REVISION	10/24/2008	Greg L
B		MODIFY THE BOTTOM APPEARANCE	01/12/2009	Greg L
C		INCREASE PURPLE TYPE	02/13/2009	Greg L



RECOMMENDED PCB LAYOUT- TOP VIEW
(ALL TOLERANCES ARE ±0.05)



G71B 0335 X 00 EU	© PANTONE 271C PURPLE COLOR	G71B 033X 4 00 EU	50μ"
G71B 0333 X 00 EU	PANTONE HEXACHROME GREEN C COLOR	G71B 033X 3 00 EU	30μ"
G71B 0332 X 00 EU	PANTONE COOL GRAY 3C MATTE	G71B 033X 2 00 EU	15μ"
G71B 0331 X 00 EU	BLACK	G71B 033X 1 00 EU	6μ"
PART NUMBER	HOUSING COLOR	PART NUMBER	FINISH

NOTES:

- HOUSING: PBT MIXED GLASS FIBER, UL 94V-0, COLOR- SEE THE TABLE
- CONTACT: PHOSPHOR BRONZE, 0.35 MM THICKNESS, SELECTIVE GOLD PLATED ON CONTACT AREA, FLASH GOLD PLATED ON SOLDER AREA, 50u" MIN. NICKEL UNDER-PLATING OVERALL
- THIS PRODUCT DOESN'T CONTAIN ENVIRONMENTAL HAZARDOUS MATERIALS PER DIRECTIVE 2002/95/EC FOR RoHS.
- THIS PACKING MUST BE PER Amphenol PACKING SPECIFICATION PKS-0001

TOLERANCE	APPROVALS	DATE	TITLE		Amphenol® Amphenol Corporation Amphenol Taiwan Corporation	
X. ±0.30	DRAWN Alex Zhong	FEB./13/09	MODULAR JACK 8P8C, SIDE ENTRY LOW PROFILE		PART No. G71B 033 X X00 EU	
X.X ±0.20	CHECKED Jason Zhan	FEB./13/09				
X.XXX ±0.10	APPROVED Greg L	FEB./13/09				
ANGULAR ±1°	DWG TYPE CUST DWG	PROJECT CODE MJK	UNIT mm	SIZE A3	DWG No. G71B033XX00EU REV. C	
UNLESS OTHERWISE SPECIFIED			SCALE NA	SHEET 1 OF 1		