

This document is the property of Amphenol Corporation and is delivered on the express condition that it is not to be disclosed, reproduced or used, in whole or in part, for manufacture or sale by anyone other than Amphenol Corporation without its prior consent, and that no right is granted to disclose or to use any information in this document.

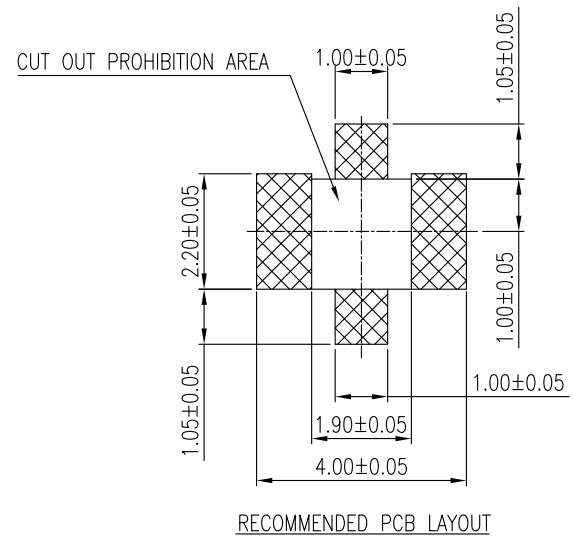
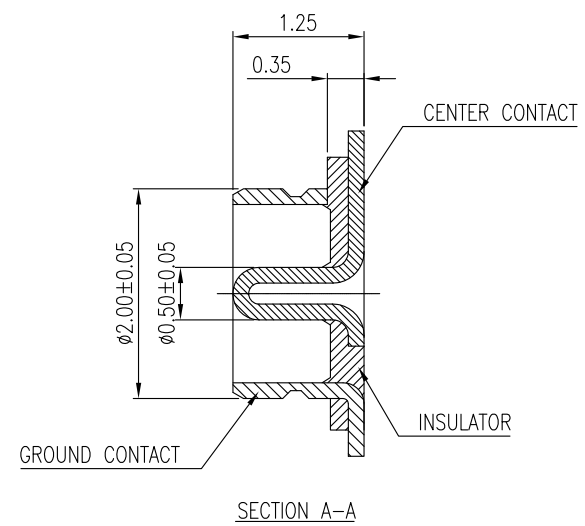
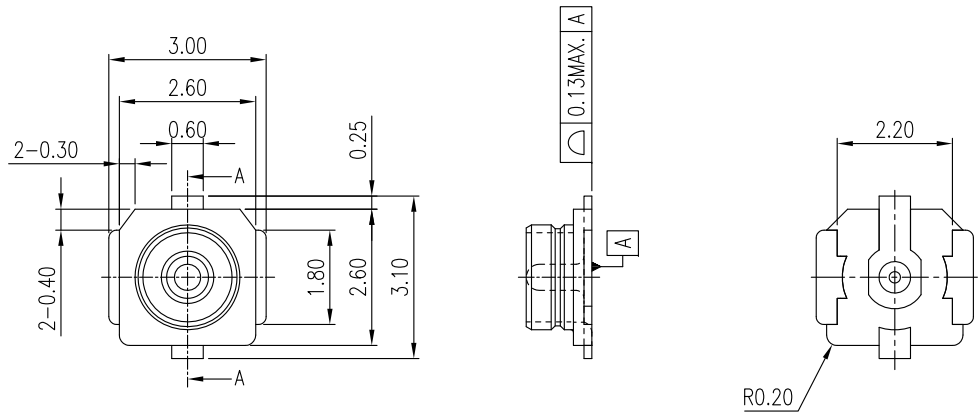
The marking on this product doesn't contain environmental hazardous materials per Material Specification 55-00259 for Sony GP compliant or per directive 2002/95/EC for RoHS compliant.

REVISIONS				
SYM	ECN No.	DESCRIPTION	DATE	APPROVED
AX1		NON-RELEASE REVISION	11/27/2009	Arron Lin

**PRELIMINARY RELEASE  
SUBJECT TO CHANGE**

NOTES:

- MATERIAL:
  - HOUSING: HIGH TEMPERATURE THERMAL PLASTIC, UL94V-0, COLOR: NATURAL.
  - TERMINAL: COPPER ALLOY.
  - GROUND CONTACT: COPPER ALLOY.
- FINISH:
  - TERMINAL:
    - CONTACT AREA: GOLD FLASH PLATING;
    - UNDER PLATING: NICKEL PLATING 50 μ" THICKNESS MIN. OVERALL.
  - GROUND CONTACT:
    - SOLDERING AREA: Ag PLATING 100 μ" THICKNESS MIN.;
    - UNDER PLATING: NICKEL PLATING 10 μ" THICKNESS MIN. OVERALL.
- THIS PRODUCT DOESN'T CONTAIN ENVIRONMENTAL HAZARDOUS PER DIRECTIVE 2002/95/EC FOR RoHS COMPLIANT.

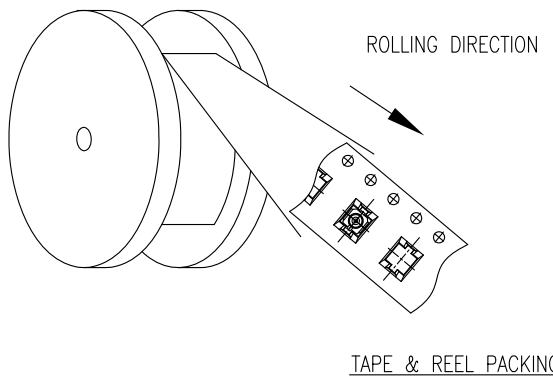
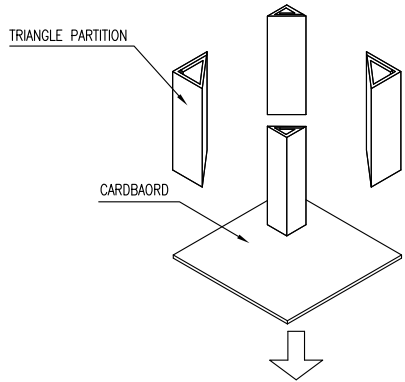
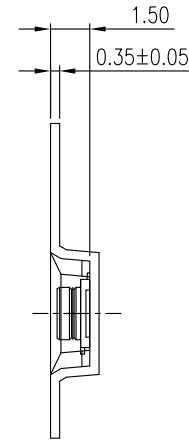
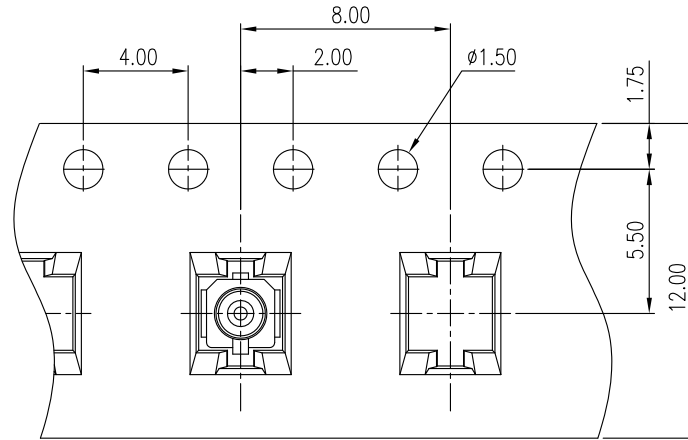
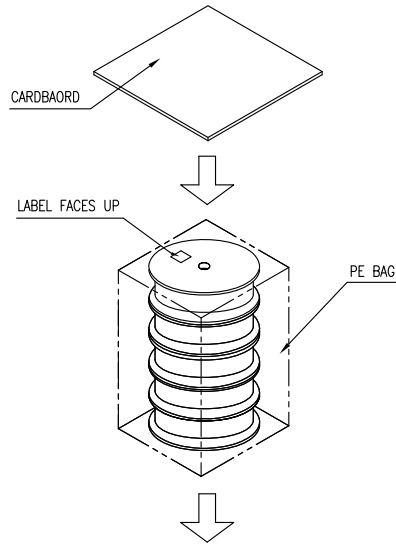


TOLERANCE		APPROVALS		DATE	TITLE		Amphenol®			
X.		DRAWN Daniel Hsieh		11/27/2009	MICRO COAXIAL CONNECTOR RECEPTACLE, STRAIGHT SMT		Amphenol Corporation Amphenol Taiwan Corporation			
X.X	±0.30	CHECKED Roger Tsai		11/27/2009						
X.XX	±0.20	APPROVED Arron Lin		11/27/2009	UNIT mm	SIZE A3	PART No. G11C0164EU			
X.XXX	±0.10	DWG TYPE CUST DWG		PROJECT CODE RFSS						SCALE NA
ANGULAR	±1°									
UNLESS OTHERWISE SPECIFIED										

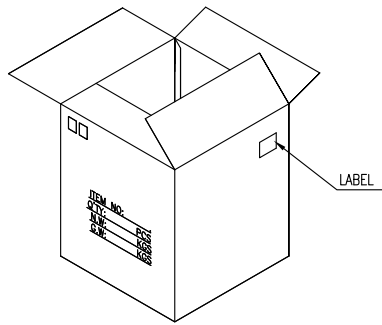
**PRELIMINARY RELEASE  
SUBJECT TO CHANGE**

REVISIONS				
SYM	ECN No.	DESCRIPTION	DATE	APPROVED
AX1		NON-RELEASE REVISION	11/27/2009	Arron Lin

This document is the property of Amphenol Corporation and is delivered on the express condition that it is not to be disclosed, reproduced or used, in whole or in part, for manufacture or sale by anyone other than Amphenol Corporation without its prior consent, and that no right is granted to disclose or to use any information in this document.  
The marking on this product doesn't contain environmental hazardous materials per Material Specification 55-00259 for Sony GP compliant or per directive 2002/95/EC for RoHS compliant.



- NOTES:
1. MATERIAL: PS, COLOR- BLUE
  2. PACKING LENGTH PER 13" REEL
  3. COMPONENT LOADED PER 13" REEL: 5000 PCS., 13 REELS/PER CARTON
  4. W.T.= 520 g/ REEL; W.T.= 9 Kgs/ CARTON
  5. THIS PRODUCT DOESN'T CONTAIN ENVIRONMENTAL HAZARDOUS MATERIALS PER DIRECTIVE 2002/95/EC FOR RoHS.



TOLERANCE		APPROVALS		DATE	TITLE		Amphenol®								
X.		DRAWN	Daniel Hsieh	11/27/2009	MICRO COAXIAL CONNECTOR RECEPTACLE, STRAIGHT SMT		Amphenol Corporation Amphenol Taiwan Corporation								
X.X	±0.30	CHECKED	Roger Tsai	11/27/2009											
X.XX	±0.20	APPROVED	Arron Lin	11/27/2009											
X.XXX	±0.10	UNLESS OTHERWISE SPECIFIED		DWG TYPE	CUST DWG	PROJECT CODE	RFSS	UNIT	mm	SIZE	A3	PART No.	G11C0164EU		
ANGULAR	±1°							SCALE	NA	SHEET	2 OF 2	DWG No.	G11C0164EU	REV.	AX1