

PRELIMINARY RELEASE  
SUBJECT TO CHANGE

This document is the property of Amphenol Corporation and is delivered on the express condition that is not to be disclosed, reproduced or used, in whole or in part, for manufacture or sale by anyone other than Amphenol Corporation without its prior consent, and that no right is granted to disclose or to use any information in this document.

The marking on this product doesn't contain environmental hazardous materials per Material Specification 55-00259 for Sony GP compliant or per directive 2002/95/EC for RoHS compliant.

REVISIONS				
SYM	ECN No.	DESCRIPTION	DATE	APPROVED
AX1		NON-RELEASE REVISION	11/06/2009	Roger Tsai
AX2		HOUSING MATERIAL CHANGE: PBT-->PA6T	11/09/2009	Roger Tsai
AX3		COLOR CHANGE: GREEN-->BLACK	12/15/2009	Roger Tsai

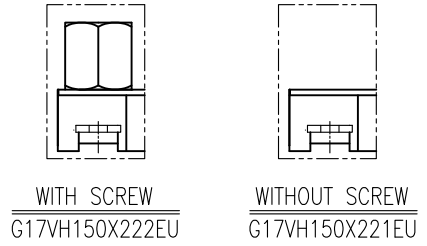
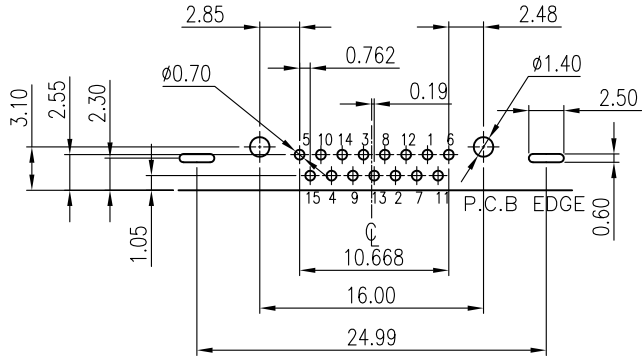
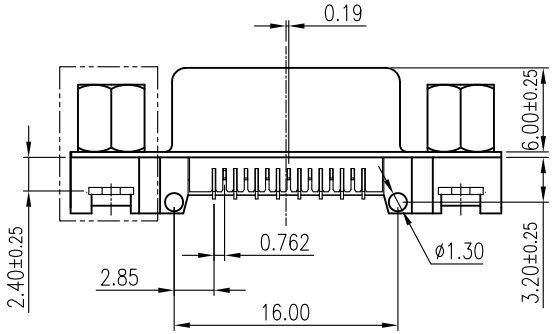
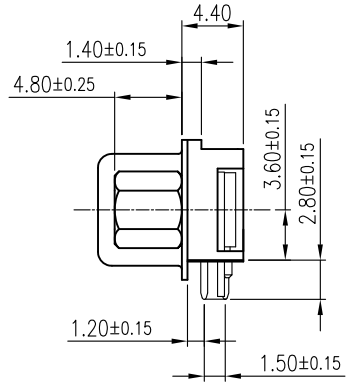
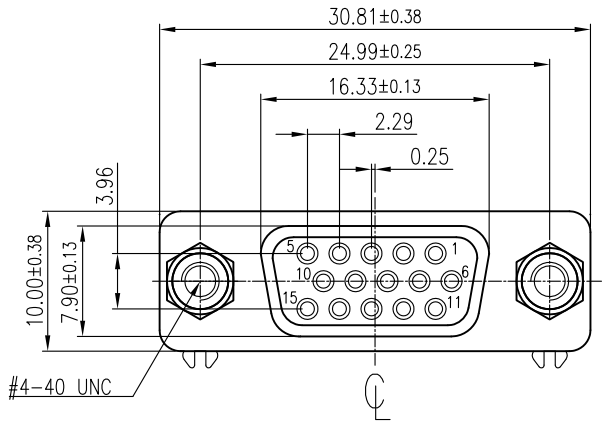
PART NO. G17VH150X22XEU

CONTACT FINISH  
 0: GOLD FLASH  
 1: 15 μ" GOLD  
 2: 30 μ" GOLD

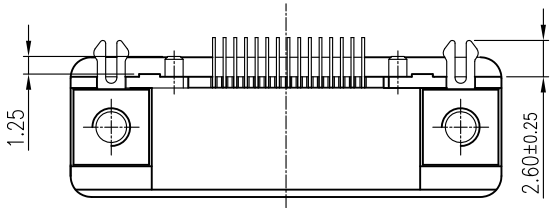
SCREW OPTION  
 1: WITHOUT SCREW  
 2: WITH SCREW

**NOTES:**

- MATERIAL:  
 HOUSING: HIGH TEMPERATURE THERMAL PLASTIC, PA6T, UL94V-0, COLOR: BLACK.  
 COVER: HIGH TEMPERATURE THERMAL PLASTIC, PA6T, UL94V-0, COLOR: BLACK.  
 TERMINAL: COPPER ALLOY.  
 SHELL: SPCC.  
 BOARDLOCK: COPPER ALLOY.  
 RIVET & SCREW: COPPER ALLOY.
- FINISH:  
 TERMINAL:  
 CONTACT AREA: SELECTED GOLD PLATING;  
 SOLDERING AREA: TIN PLATING 100 μ" THICKNESS MIN.;  
 UNDER PLATING: NICKEL PLATING 50 μ" THICKNESS MIN. OVERALL.  
 SHELL:  
 NICKEL PLATING 80 μ" MINIMUM OVER CU 60 μ" MINIMUM  
 BOARDLOCK:  
 TIN PLATING 100 μ" MINIMUM OVER NICKEL 50 μ" MINIMUM  
 RIVET & SCREW:  
 NICKEL PLATING 80 μ" MINIMUM OVER CU 60 μ" MINIMUM
- PACKING IS PER AMTA PACKING SPECIFICATION PKS-0001.
- THIS PRODUCT IS LEAD-FREE & RoHS COMPLIANT PRODUCT.



RECOMMENDED PCB LAYOUT  
TOLERANCE: ±0.05 MM



TOLERANCE		APPROVALS		DATE	TITLE		Amphenol®			
X.		DRAWN Roger Tsai		11/09/2009	G17VH SERIES D-SUB 15 PIN FEMALE, HIGH DENSITY LOW PROFILE TYPE		Amphenol Corporation Amphenol Taiwan Corporation			
X.X	±0.30	CHECKED Daniel Hsieh		11/09/2009						
X.XX	±0.20	APPROVED Roger Tsai		11/09/2009	UNIT	mm	SIZE	A3	PART No.	G17VH150X22XEU
X.XXX	±0.10	DWG TYPE		CUST DWG	PROJECT CODE	DSUB	SCALE	NA	SHEET	1 OF 1
ANGULAR	±1°	UNLESS OTHERWISE SPECIFIED							DWG No.	G17VH150X22XEU
									REV.	AX3