

This document is the property of Amphenol Corporation and is delivered on the express condition that is not to be disclosed, reproduced or used, in whole or in part, for manufacture or sale by anyone other than Amphenol Corporation without its prior consent, and that no right is granted to disclose or to use any information in this document.

The marking on this product doesn't contain environmental hazardous materials per Material Specification 55-00259 for Sony GP compliant or per directive 2002/95/EC for RoHS compliant.

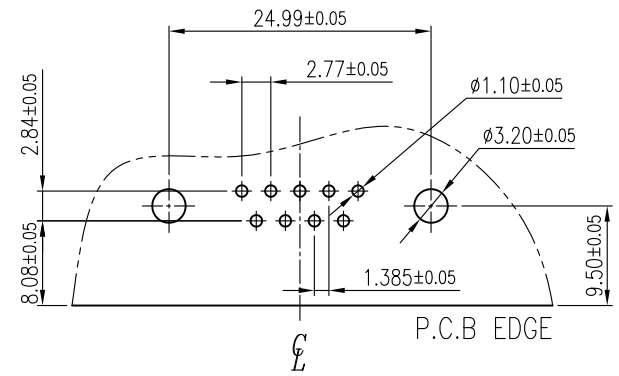
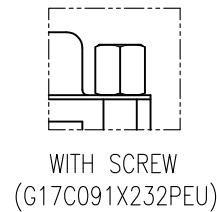
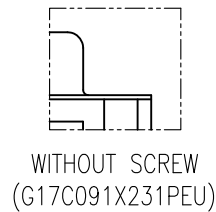
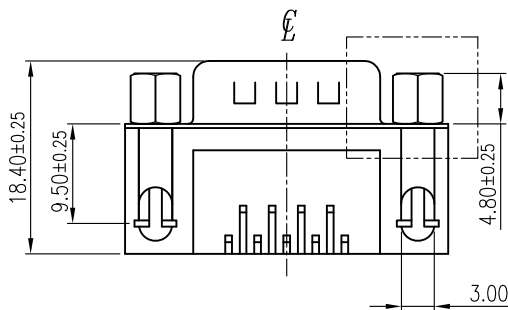
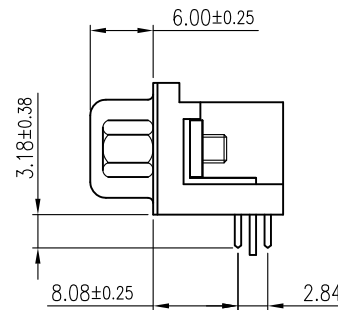
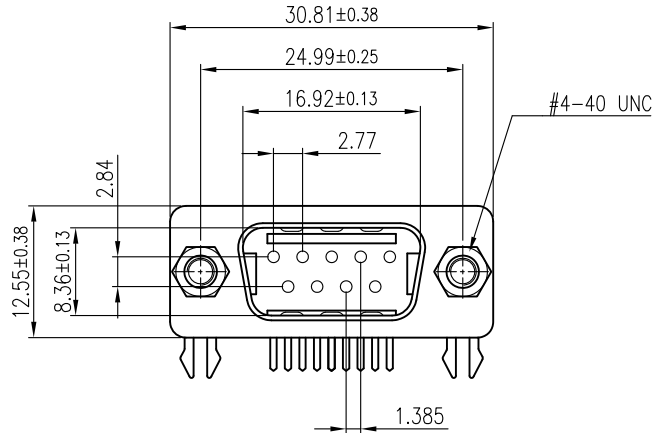
REVISIONS				
SYM	ECN No.	DESCRIPTION	DATE	APPROVED
A		RELEASE TO PRODUCTION	10/27/2009	Roger Tsai

PART NO. G17C091X23XPEU

CONTACT FINISH	SCREW OPTION
0: GOLD FLASH	1: WITHOUT SCREW
1: 15 μ" GOLD	2: WITH SCREW
2: 30 μ" GOLD	
3: FULL GOLD FLASH	

NOTES:

- MATERIAL:
INSULATOR: HIGH TEMPERATURE THERMAL PLASTIC, PBT, UL94V-0, COLOR: TURQUOISE.
TERMINAL: COPPER ALLOY.
SHELL: ROLLER STEEL.
- FINISH:
TERMINAL:
CONTACT AREA: SELECTED GOLD PLATING;
SOLDERING AREA: TIN PLATING 100 μ" THICKNESS MIN.;
UNDER PLATING: NICKEL PLATING 50 μ" THICKNESS MIN. OVERALL.
SHELL:
TIN PLATING 100 μ" THICKNESS MIN. OVER
NICKEL PLATING 50 μ" THICKNESS MIN. OVERALL.
- PACKING IS PER AMTA PACKING SPECIFICATION PKS-0001.
- THIS PRODUCT DOESN'T CONTAIN ENVIRONMENTAL HAZARDOUS PER DIRECTIVE 2002/95/EC FOR RoHS COMPLIANT.



**PRELIMINARY RELEASE
SUBJECT TO CHANGE**

TOLERANCE	APPROVALS	DATE	TITLE		Amphenol®	
X. ±0.30	DRAWN Roger Tsai	10/27/2009	G17C SERIES		Amphenol Corporation	
X.X ±0.20	CHECKED Daniel Hsieh	10/27/2009	D-SUB 9 PIN, 8.08 MM		Amphenol Taiwan Corporation	
X.XXX ±0.10	APPROVED Roger Tsai	10/27/2009	FOOTPRINT, RIGHT ANGLE TYPE		PART No.	G17C091X23XPEU
ANGULAR ±1°	DWG TYPE CUST DWG	PROJECT CODE DSUB	UNIT mm	SIZE A3	DWG No.	G17C091X23XPEU
UNLESS OTHERWISE SPECIFIED			SCALE NA	SHEET 1 OF 1	REV.	A