

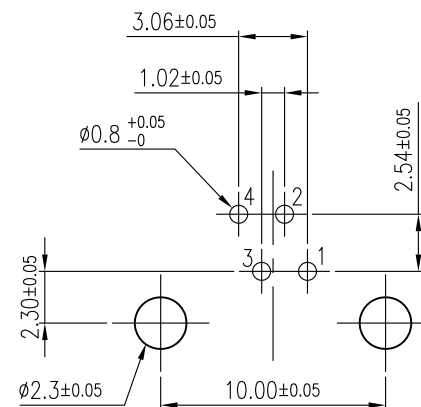
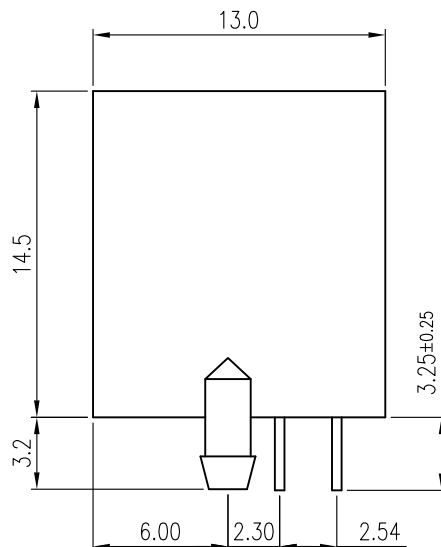
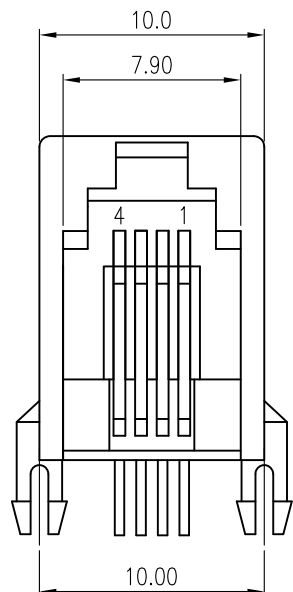
This document is the property of Amphenol Corporation and is delivered on the express condition that it is not to be disclosed, reproduced or used, in whole or in part, for manufacture or sale by anyone other than Amphenol Corporation without its prior consent, and that no right is granted to disclose or to use any information in this document.

The marking on this product doesn't contain environmental hazardous materials per Material Specification SS-00259 for Sony GP compliant or per directive 2002/95/EC for RoHS compliant.

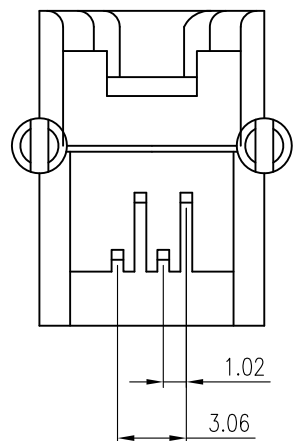
CUSTOMER DRAWING

**PRELIMINARY RELEASE
SUBJECT TO CHANGE**

REVISIONS				
SYM	ECN No.	DESCRIPTION	DATE	APPROVED
AX1		UNAPPROVED REVISION	06/23/2008	Hank Hsu
AX2		ADD PIN ASSIGNMENT	11/04/2009	Roger Tsai



RECOMMENDED PCB LAYOUT



NOTES:

- INSULATOR: PBT, UL 94V-0, COLOR- GRAY
- CONTACTS: PHOSPHOR BRONZE, $\phi 0.45$ MM DIANETER, SELECTIVE FULL GOLD PLATED
- THIS PRODUCT DOESN'T CONTAIN ENVIRONMENTAL HAZARDOUS MATERIALS PER DIRECTIVE 2002/95/EC FOR RoHS.
- JUST FOR DIP PROCESS

G71D 0017 4 00 EU	50 μ "
G71D 0017 3 00 EU	30 μ "
G71D 0017 2 00 EU	15 μ "
G71D 0017 1 00 EU	6 μ "
PART NUMBER	FINISH

TOLERANCE m/m	APPROVALS	DATE	TITLE		SCALE N.A. SHEET 1 OF 1	
x. ± 0.30	DRAWN Roger Tsai	11/04/2009	G71D SERIES MODULAR JACK MINI LOW PROFILE SIDE ENTRY, 4P4C		Amphenol® Amphenol Corporation Amphenol Taiwan Corporation	
x.x ± 0.25	CHECKED Danie Hsieh	11/04/2009				
x.xx ± 0.15	APPROVED Roger Tsai	11/04/2009				
x.xxx ± 0.08			SIZE A3	PART NO. G71D 0017X 00EU	DRAWING NO. MJK-G71D0017X00EU-04	REV. AX2
ANGULAR $\pm 2^\circ$			UNIT MM			
UNLESS OTHERWISE SPECIFIED						