

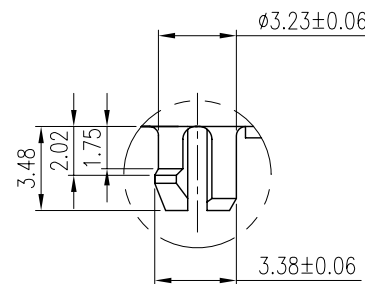
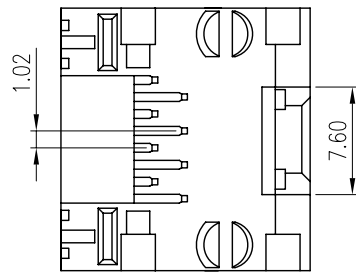
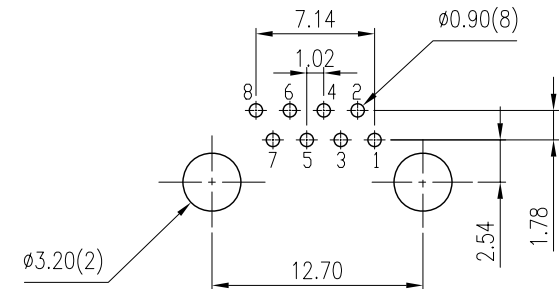
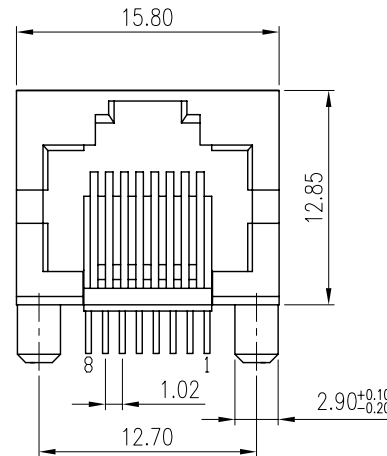
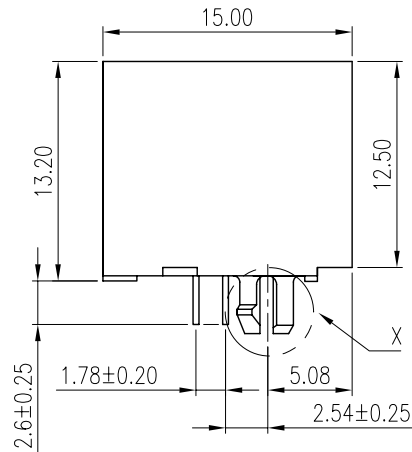
This document is the property of Amphenol Corporation and is delivered on the express condition that it is not to be disclosed, reproduced or used, in whole or in part, for manufacture or sale by anyone other than Amphenol Corporation without its prior consent, and that no right is granted to disclose or to use any information in this document.



CUSTOMER DRAWING ORIGINAL



REVISIONS				
SYM	ECN No.	DESCRIPTION	DATE	APPROVED
A		RELEASE FOR PRODUCTION	09/04/2007	Hank Hsu



RECOMMENDED PCB LAYOUT

G71B 0104 4 00EU	50u"
G71B 0104 3 00EU	30u"
G71B 0104 2 00EU	15u"
G71B 0104 1 00EU	6u"

PART NUMBER FINISH

- NOTES:  
 1. INSULATOR: PA-46(TE250F6), UL94V-0, COLOR- BLACK  
 2. CONTACT: PHOSPHOR BRONZE, 0.35mm THICK, SELECTIVE GOLD PLATED

TOLERANCE m/m	APPROVALS	DATE	TITLE		SCALE N.A. SHEET 1 OF 1	
x. ±0.30	DRAWN <b>Sondra Sang</b>	09/04/07	G71B SERIES 8P8C, SIDE ENTRY MINI LOW PROFILE HALF BOARDLOCK		<b>Amphenol®</b> <b>Amphenol Corporation</b> <b>Amphenol Taiwan Corporation</b>	
x.x ±0.25	CHECKED <b>Chenny Yeh</b>	09/04/07				
x.xx ±0.15	APPROVED <b>Hank Hsu</b>	09/04/07				
x.xxx ±0.08						
ANGULAR ±2°			SIZE A3	PART NO. G71B0104X00EU	DRAWING NO. MJK-G71B0104X00EU-04	REV. A
UNLESS OTHERWISE SPECIFIED			UNIT MM			