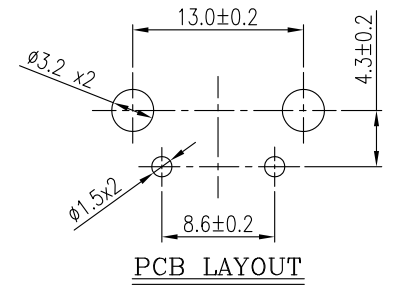
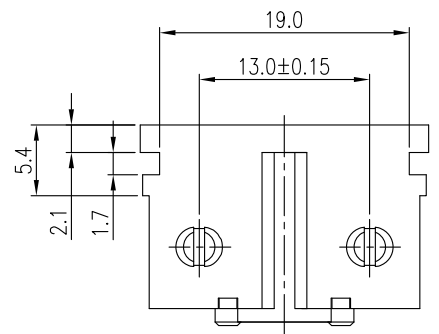
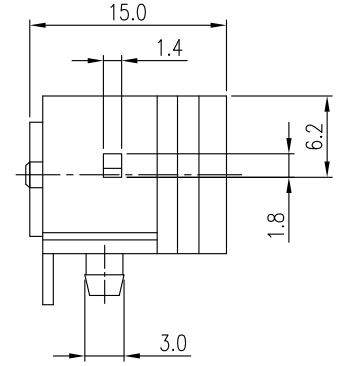
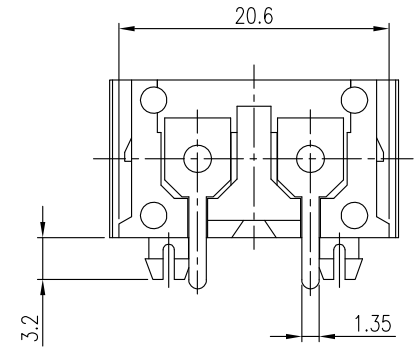
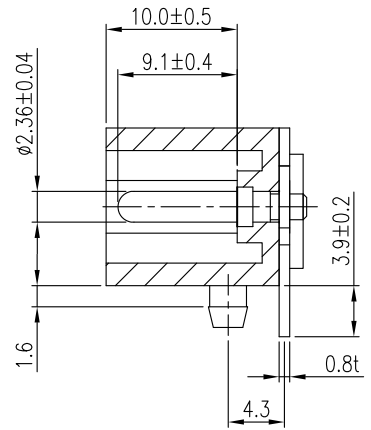
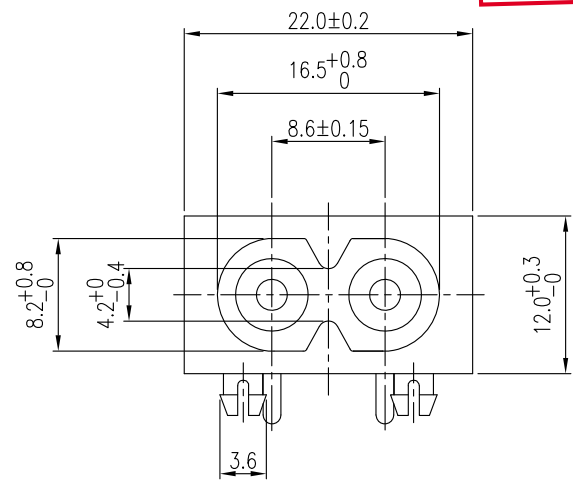


This document is the property of Amphenol Corporation and is delivered on the express condition that is not to be disclosed, reproduced or used, in whole or in part, for manufacture or sale by anyone other than Amphenol Corporation without its prior consent, and that no right is granted to disclose or to use any information in this document.
 The marking on this product doesn't contain environmental hazardous materials per Material Specification 55-00259 for Sony GP compliant or per directive 2002/95/EC for RoHS compliant.

**PRELIMINARY RELEASE
 SUBJECT TO CHANGE**

REVISIONS				
SYM	ECN No.	DESCRIPTION	DATE	APPROVED
AX1		NON-RELEASE REVISION	10/14/2009	Arron Lin
AX2		MODIFIED DIM	10/21/2009	Arron Lin



Rating: AC 2.5A 250V	
Mark	Safety Regulation
	SEMKO
	DEMKO
	FIMKO
	NEMKO
	VDE
	CCC
	CULUS

- NOTES:
- MATERIAL:
 HOUSING: NYLON 66, UL94V-0.
 TERMINAL: COPPER ALLOY.
 - FINISH:
 TERMINAL:
 TIN PLATING 100 μ" THICKNESS MIN.;
 NICKEL PLATING 50 μ" THICKNESS MIN.OVER ALL.
 - PACKING IS PER AMTA PACKING SPECIFICATION PKS-0001.
 - THIS PRODUCT DOESN'T CONTAIN ENVIRONMENTAL HAZARDOUS PER DIRECTIVE 2002/95/EC FOR RoHS COMPLIANT.

TOLERANCE	APPROVALS	DATE	TITLE		Amphenol®		
X. ±0.30	DRAWN Daniel Hsieh	10/21/2009	AC POWER JACK TWO PORT R/A, DIP TYPE		Amphenol Corporation Amphenol Taiwan Corporation		
X.X ±0.20	CHECKED Roger Tsai	10/21/2009					
X.XXX ±0.10	APPROVED Arron Lin	10/21/2009					
ANGULAR ±1°	DWG TYPE CUST DWG	PROJECT CODE OTHER		UNIT mm	SIZE A3	PART No. G2404036EU	
UNLESS OTHERWISE SPECIFIED				SCALE NA	SHEET 1 OF 1	DWG No. G2404036EU	REV. AX2