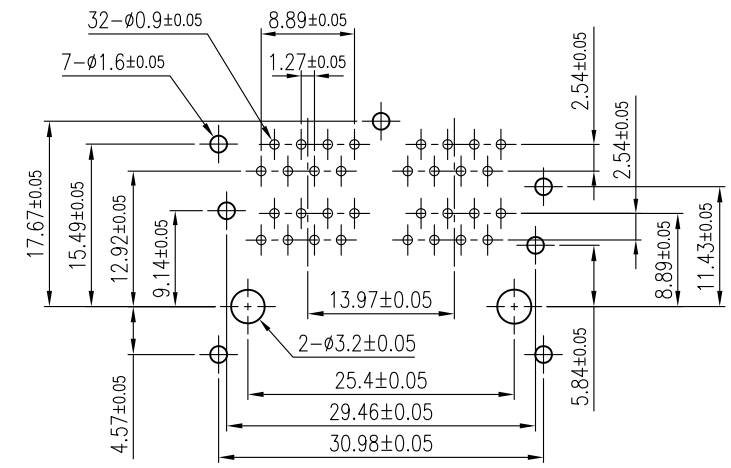
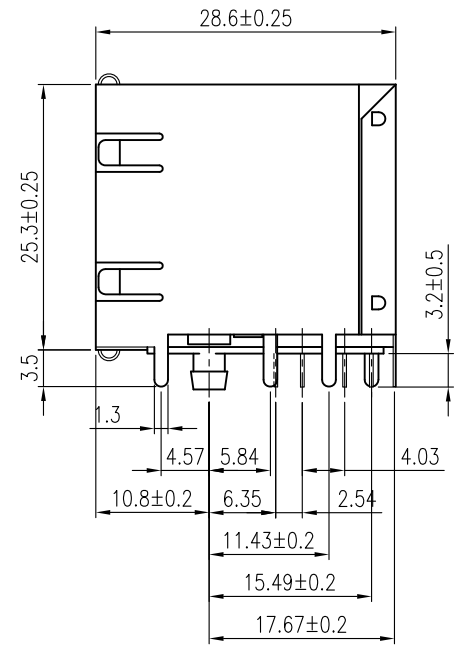
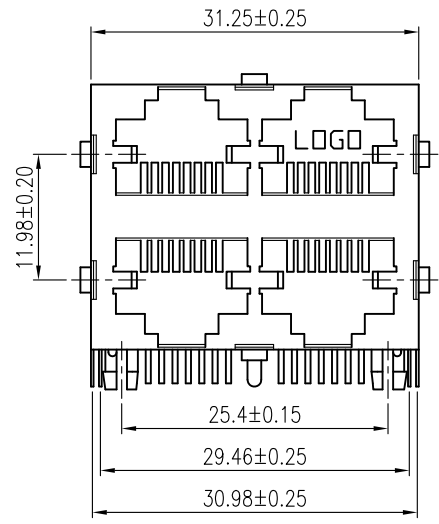


This document is the property of Amphenol Corporation and is delivered on the express condition that it is not to be disclosed, reproduced or used, in whole or in part, for manufacture or sale by anyone other than Amphenol Corporation without its prior consent, and that no right is granted to disclose or to use any information in this document.

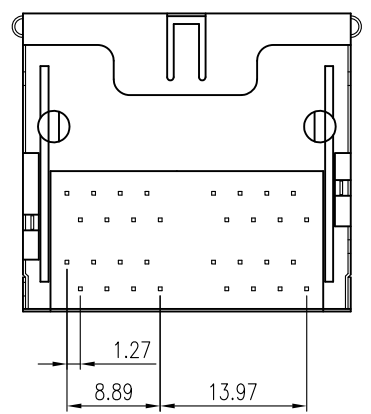
The marking on this product doesn't contain environmental hazardous materials per Material Specification 55-00259 for Sony GP compliant or per directive 2002/95/EC for RoHS compliant.

| REVISIONS |         |                      |            |            |
|-----------|---------|----------------------|------------|------------|
| SYM       | ECN No. | DESCRIPTION          | DATE       | APPROVED   |
| AX1       |         | NON-RELEASE REVISION | 09/29/2009 | Roger Tsai |

PRELIMINARY RELEASE  
SUBJECT TO CHANGE



**RECOMMENDED PCB LAYOUT**



**NOTES:**

- INSULATOR: NYLON 46, UL94V-0, COLOR- BLACK
- CONTACT: PHOSPHOR BRONZE, 0.35 MM THICKNESS, SELECTIVE GOLD PLATED ON CONTACT AREA, TIN PLATED ON SOLDER TAIL
- SHIELD: COPPER ALLOY, 0.25 MM THICKNESS, NICKEL PLATED
- THIS PRODUCT DOESN'T CONTAIN ENVIRONMENTAL HAZARDOUS MATERIAL PER DIRECTIVE 2002/95/EC FOR RoHS.
- THE PRODUCT MUST BE FOR DIP PROCESS

|                    |               |
|--------------------|---------------|
| G71H 0063 4 00 EU  | 50μ"          |
| G71H 0063 3 00 EU  | 30μ"          |
| G71H 0063 2 00 EU  | 15μ"          |
| G71H 0063 1 00 EU  | 6μ"           |
| <b>PART NUMBER</b> | <b>FINISH</b> |

| TOLERANCE                  |       | APPROVALS |              | DATE         | TITLE                                                                         |       | Amphenol®                                           |          |               |
|----------------------------|-------|-----------|--------------|--------------|-------------------------------------------------------------------------------|-------|-----------------------------------------------------|----------|---------------|
| X.                         |       | DRAWN     | Roger Tsai   | 09/29/2009   | G71H SERIES<br>MULTI-PORT JACKS<br>2x2- PORT, SIDE ENTRY<br>8P8C, W/ SHIELDED |       | Amphenol Corporation<br>Amphenol Taiwan Corporation |          |               |
| X.X                        | ±0.30 | CHECKED   | Daniel Hsieh | 09/29/2009   |                                                                               |       |                                                     |          |               |
| X.XX                       | ±0.20 | APPROVED  | Roger Tsai   | 09/29/2009   |                                                                               |       |                                                     |          |               |
| X.XXX                      | ±0.10 | DWG TYPE  | CUST DWG     | PROJECT CODE | MJK                                                                           | UNIT  | mm                                                  | SIZE     | A3            |
| ANGULAR                    | ±1°   |           |              |              |                                                                               | SCALE | NA                                                  | SHEET    | 1 OF 1        |
| UNLESS OTHERWISE SPECIFIED |       |           |              |              |                                                                               |       |                                                     | PART No. | G71H0063X00EU |
|                            |       |           |              |              |                                                                               |       |                                                     | DWG No.  | G71H0063X00EU |
|                            |       |           |              |              |                                                                               |       |                                                     | REV.     | AX1           |