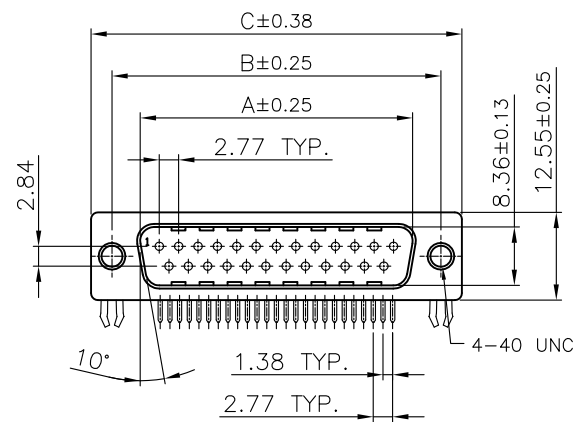


This document is the property of Amphenol Corporation and is delivered on the express condition that is not to be disclosed, reproduced or used, in whole or in part, for manufacture or sale by anyone other than Amphenol Corporation without its prior consent, and that no right is granted to disclose or to use any information in this document.

The marking on this product doesn't contain environmental hazardous materials per Material Specification 55-00259 for Sony GP compliant or per directive 2002/95/EC for RoHS compliant.

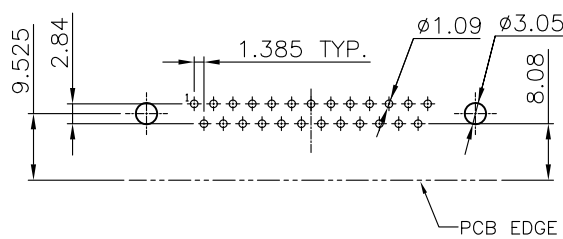
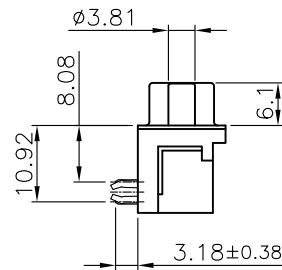
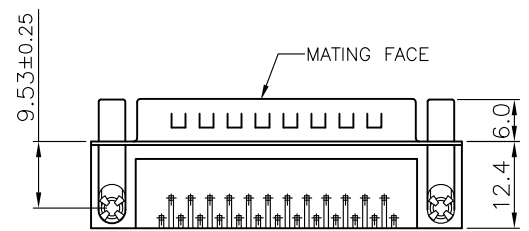
REVISIONS				
SYM	ECN No.	DESCRIPTION	DATE	APPROVED
AX1		NON-RELEASE REVISION	12/02/2009	Roger Tsai



PART NO. G17CXX1X248EU

NO. OF CIRCUITS	CONTACT FINISH
09: 09 CIRCUITS	0: GOLD FLASH
15: 15 CIRCUITS	1: 15 μ" GOLD
25: 25 CIRCUITS	2: 30 μ" GOLD
37: 37 CIRCUITS	

- NOTES:**
- MATERIAL:
 - HOUSING: HIGH TEMPERATURE THERMAL PLASTIC, PBT, UL94V-0, COLOR: BLACK.
 - TERMINAL: COPPER ALLOY.
 - SHELL: SPCC.
 - BOARD LOCK: COPPER ALLOY.
 - NUT: COPPER ALLOY.
 - FINISH:
 - TERMINAL:
 - CONTACT AREA: SELECTED GOLD PLATING;
 - SOLDERING AREA: TIN PLATING 100 μ" THICKNESS MIN.;
 - UNDER PLATING: NICKEL PLATING 50 μ" THICKNESS MIN. OVERALL.
 - SHELL:
 - SOLDERING AREA: TIN PLATING 100 μ" THICKNESS MIN.;
 - UNDER PLATING: NICKEL PLATING 50 μ" THICKNESS MIN. OVERALL.
 - BOARD LOCK:
 - SOLDERING AREA: TIN PLATING 100 μ" THICKNESS MIN.;
 - UNDER PLATING: NICKEL PLATING 50 μ" THICKNESS MIN. OVERALL.
 - NUT:
 - NICKEL PLATING 50 μ" THICKNESS MIN. OVERALL.
 - PACKING IS PER AMTA PACKING SPECIFICATION PKS-0001.
 - THIS PRODUCT DOESN'T CONTAIN ENVIRONMENTAL HAZARDOUS PER DIRECTIVE 2002/95/EC FOR RoHS COMPLIANT.



RECOMMENDED PCB LAYOUT
TOLERANCE: ±0.05 mm

**PRELIMINARY RELEASE
SUBJECT TO CHANGE**

NO. OF CIRCUITS	DIMENSIONS		
	A	B	C
9	16.92	24.99	30.81
15	25.25	33.32	39.14
25	38.96	47.04	53.04
37	55.42	63.50	69.32

TOLERANCE	APPROVALS	DATE	TITLE		Amphenol®	
X. ±0.30	DRAWN Roger Tsai	12/02/2009	G17C SERIES D-SUB CONNECTOR R/A, DIP TYPE WITH ø3.81 mm SCREW		Amphenol Corporation Amphenol Taiwan Corporation	
X.X ±0.20	CHECKED Daniel Hsieh	12/02/2009				
X.XXX ±0.10	APPROVED Roger Tsai	12/02/2009			PART No.	G17CXX1X248EU
ANGULAR ±1°	DWG TYPE CUST DWG	PROJECT CODE DSUB			UNIT mm	SIZE A3
UNLESS OTHERWISE SPECIFIED			SCALE NA	SHEET 1 OF 1	REV.	AX1