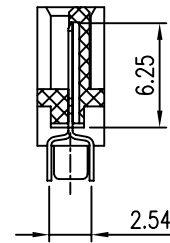
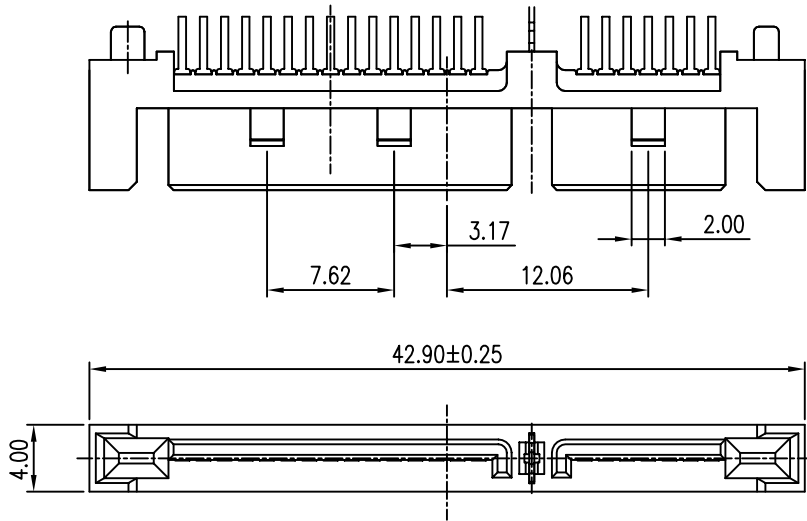


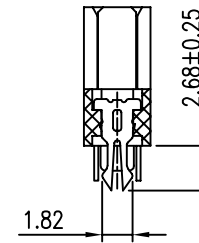
This document is the property of Amphenol Corporation and is delivered on the express condition that it is not to be disclosed, reproduced or used, in whole or in part, for manufacture or sale by anyone other than Amphenol Corporation without its prior consent, and that no right is granted to disclose or to use any information in this document.

CUSTOMER DRAWING ORIGINAL

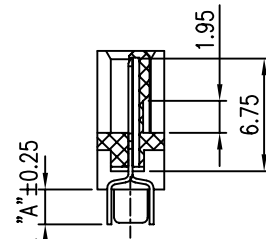
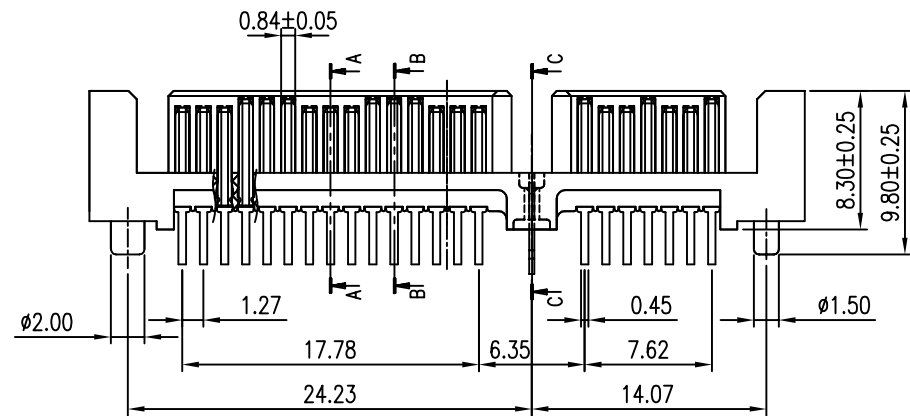
REVISIONS				
SYM	ECN No.	DESCRIPTION	DATE	APPROVED
A		RELEASE FOR RoHS	05/26/2006	Armstrong Koo



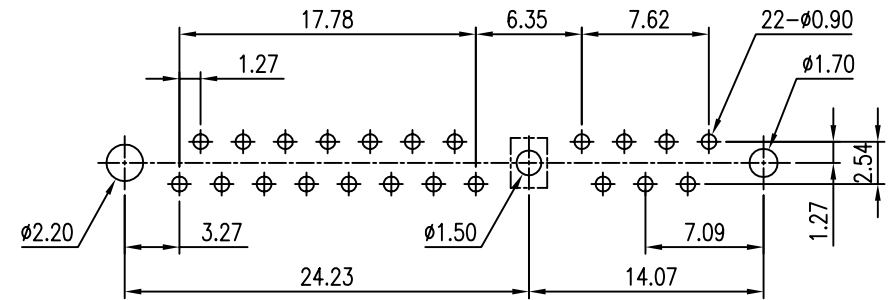
SECTION A-A



SECTION C-C



SECTION B-B



RECOMMENDED PCB LAYOUT
(ALL TOLERANCES ARE ±0.05)

NOTES:

- INSULATOR: LCP, UL 94V-0 RATE, COLOR- BLACK
- CONTACT: PHOSPHOR BRONZE, SELECTIVE GOLD PLATING ON CONTACT AREA, TIN PLATING ON SOLDERING TAIL
CONTACT FINISH CODES: "0"- GOLD FLASH
"1"- 15μ" GOLD
"2"- 30μ" GOLD
- THIS PRODUCT DOESN'T CONTAIN ENVIRONMENTAL HAZARDOUS MATERIALS PER DIRECTIVE 2002/95/EC FOR RoHS.

TOLERANCE	m/m	APPROVALS	DATE
x.	±0.38	DRAWN Sondra Sang	05/26/06
x.x	±0.25	CHECKED Ken Lin	05/26/06
x.xx	±0.20	APPROVED Joseph Hsu	05/26/06
x.xxx	±0.08		
ANGULAR	±2°		
UNLESS OTHERWISE SPECIFIED		UNIT MM	

TITLE
G16 SERIES
SERIAL ATA CONNECTOR
POWER & SIGNAL, MALE
7P+15P, VERTICAL DIP TYPE

SIZE PART NO.
A4 G16CE 2X 210 WXEU

DRAWING NO. REV.
SKT-G16CE2X210WXEU-16 A

G16CE 2X 210 W2EU	3.00
G16CE 2X 210 W1EU	2.10
PART NUMBER	DIM. A

Amphenol®
Amphenol Corporation
Amphenol Taiwan Corporation

SCALE N.A. SHEET 1 OF 1

