

This document is the property of Amphenol Corporation and is delivered on the express condition that is not to be disclosed, reproduced or used, in whole or in part, for manufacture or sale by anyone other than Amphenol Corporation without its prior consent, and that no right is granted to disclose or to use any information in this document.
The marking on this product doesn't contain environmental hazardous materials per Material Specification SS-00259 for Sony GP compliant or per directive 2002/95/EC for RoHS compliant.



PART NO. G16A9X21XTEU

ORIGINAL

REVISIONS				
SYM	ECN No.	DESCRIPTION	DATE	APPROVED
A		UNAPPROVED REVISION	02/20/2009	Arron Lin
B	ECN 09059	ADD DIM	03/27/2009	Arron Lin

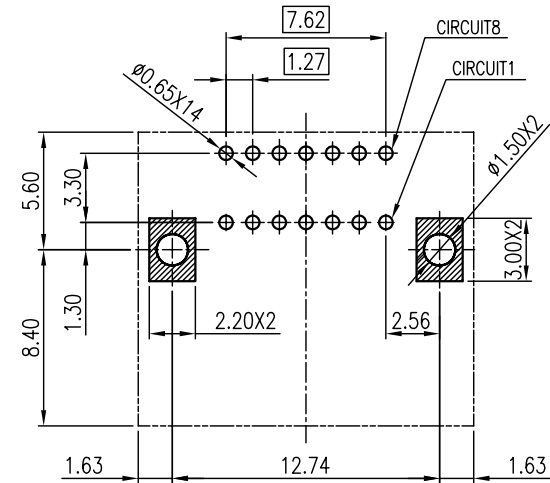
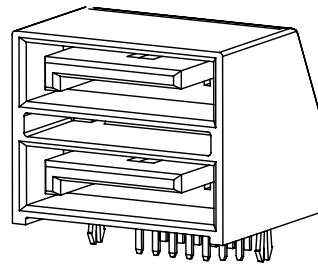
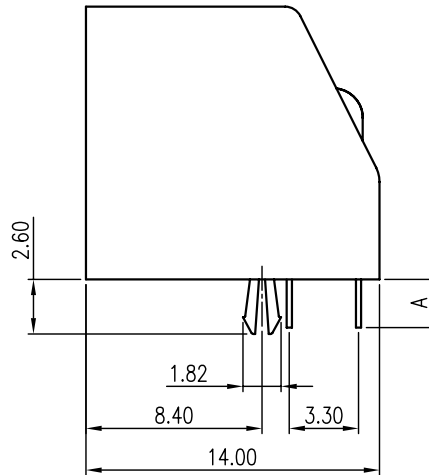
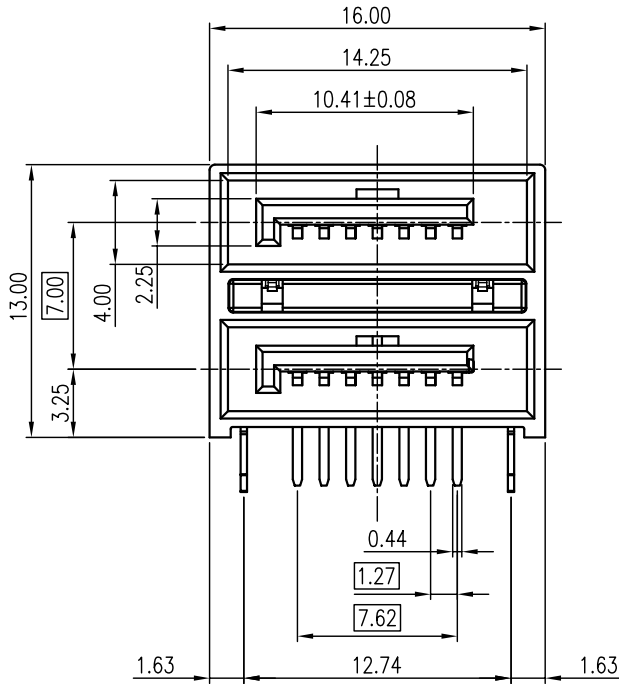
CONTACT FINISH
0: GOLD FLASH
1: 15 u" GOLD
2: 30 u" GOLD

0: 2.30 mm.
1: 2.00 mm.

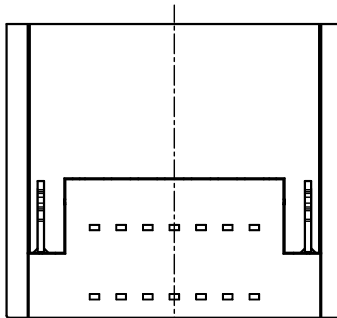
PART NO.	DIM A
G16A9X210TEU	2.30 mm.
G16A9X211TEU	2.00 mm.

NOTES:

- MATERIAL:
HOUSING: HIGH TEMPERATURE THERMAL PLASTIC, UL94V-0, COLOR: BLACK.
TERMINAL: COPPER ALLOY.
BOARDLOCK: COPPER ALLOY.
- FINISH:
TERMINAL:
CONTACT AREA: SELECTED GOLD PLATING;
SOLDERING AREA: TIN PLATING 100 u" THICKNESS MIN.;
UNDER PLATING: NICKEL PLATING 50 u" THICKNESS MIN. OVERALL.
BOARDLOCK:
SOLDERING AREA: TIN PLATING 100 u" THICKNESS MIN.;
UNDER PLATING: NICKEL PLATING 50 u" THICKNESS MIN. OVERALL.
- PACKING IS PER AMTA PACKING SPECIFICATION PKS-0001.
- THIS PRODUCT DOESN'T CONTAIN ENVIRONMENTAL HAZARDOUS PER DIRECTIVE 2002/95/EC FOR RoHS COMPLIANT.
- PACKING REFER TO PKS-G16A9001



RECOMMENDED P.C.B LAYOUT
(T=1.6 TOLERANCE:±0.05)



TOLERANCE	APPROVALS	DATE	TITLE	UNIT	SIZE	PART No.
X.	DRAWN Daniel Hsieh	03/27/2009	G16A SERIES SATA CONN., STACKED SIGNAL 7+7-POS, MALE R/A DIP TYPE	mm	A3	G16A9X21XTEU
X.X ±0.30	CHECKED Roger Tsai	03/27/2009				
X.XX ±0.20	APPROVED Arron Lin	03/27/2009				
X.XXX ±0.10	DWG TYPE CUST DWG	PROJECT CODE SKT				
ANGULAR ±1°				SCALE NA	SHEET 1 OF 2	DWG No. G16A9X21XTEU
UNLESS OTHERWISE SPECIFIED						REV. B

Amphenol®
Amphenol Corporation
Amphenol Taiwan Corporation

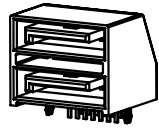
This document is the property of Amphenol Corporation and is delivered on the express condition that is not to be disclosed, reproduced or used, in whole or in part, for manufacture or sale by anyone other than Amphenol Corporation without its prior consent, and that no right is granted to disclose or to use any information in this document.
The marking on this product doesn't contain environmental hazardous materials per Material Specification 55-00259 for Sony GP compliant or per directive 2002/95/EC for RoHS compliant.



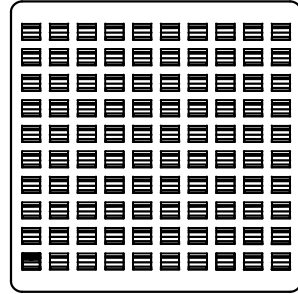
ORIGINAL

REVISIONS				
SYM	ECN No.	DESCRIPTION	DATE	APPROVED
A		UNAPPROVED REVISION	02/20/2009	Arron Lin
B	09059	ADD DIM	03/27/2009	Arron Lin

1. 1)PIC-1: PRODUCT.
2)PIC-2: TRAY:262*262*20

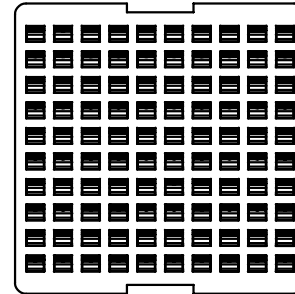


PIC-1

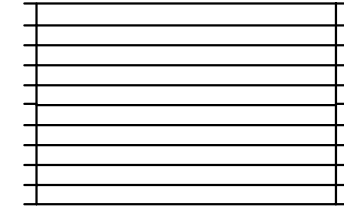


PIC-2

2. 1)PIC-3: 100 PCS PRODUCT/TRAY.
2)PIC-4: 10 LAYERS.



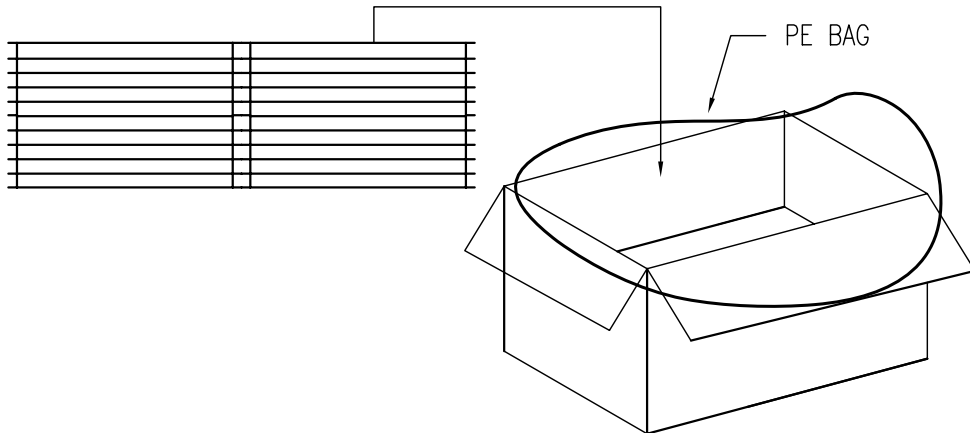
PIC-3



PIC-4



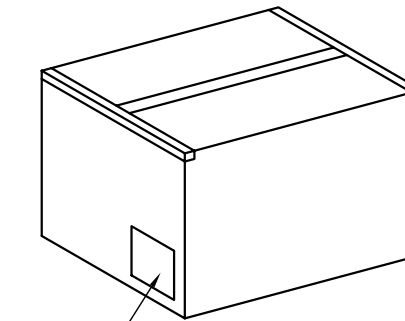
3. 1)PIC-5: CARTON: 540*280*195.
2)PIC-6: 2 LAYERS *1000PCS=2000PCS/CARTON.



PIC-5

PIC-6

4. 1)PIC-7: ENVELOP SHIPPING CARTON.



PIC-7

TOLERANCE		APPROVALS		DATE	TITLE		Amphenol®			
X.		DRAWN	Daniel Hsieh	03/27/2009	G16A SERIES SATA CONN, STACKED SIGNAL 7+7- POS., MALE R/A DIP TYPE PACKING		Amphenol Corporation Amphenol Taiwan Corporation			
X.X	±0.30	CHECKED	Roger Tsai	03/27/2009						
X.XX	±0.20	APPROVED	Arron Lin	03/27/2009						
X.XXX	±0.10	UNLESS OTHERWISE SPECIFIED		DWG TYPE	PROJECT CODE	UNIT mm	SCALE NA	SIZE A3	SHEET 2 OF 2	PART No. PKS-G16A9001
ANGULAR	±1°	PKS DWG	SKT	DWG No. PKS-G16A9001	REV. B					