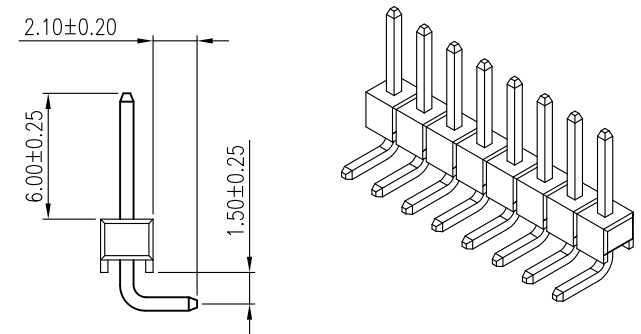
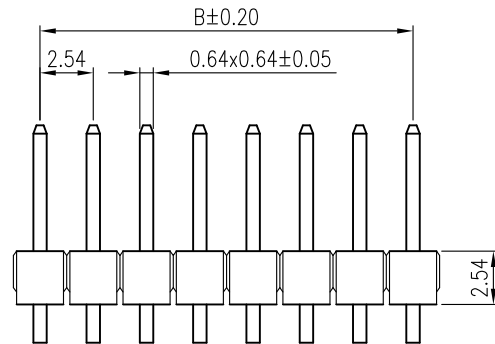
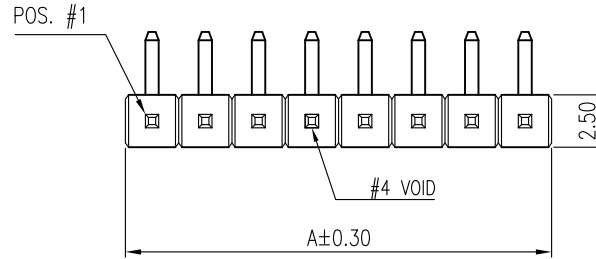


**PRELIMINARY RELEASE  
SUBJECT TO CHANGE**

REVISIONS				
SYM	ECN No.	DESCRIPTION	DATE	APPROVED
AX1		NON-RELEASE REVISION	08/25/2009	Roger Tsai
AX2		MODIFIED DIMENSION 2.10±0.30 --> 2.10±0.20mm	08/26/2009	Roger Tsai
AX3		MODIFIED SOLDERING AREA PLATING	08/26/2009	Roger Tsai

This document is the property of Amphenol Corporation and is delivered on the express condition that is not to be disclosed, reproduced or used, in whole or in part, for manufacture or sale by anyone other than Amphenol Corporation without its prior consent, and that no right is granted to disclose or to use any information in this document.  
The marking on this product doesn't contain environmental hazardous materials per Material Specification 55-00259 for Sony GP compliant or per directive 2002/95/EC for RoHS compliant.

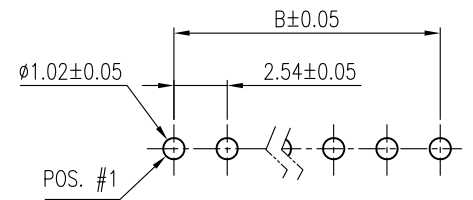
G801 LQ 268 XXXBEU	1 x 40 = 40	101.60	99.06
G801 LQ 269 XXXBEU	1 x 39 = 39	99.06	96.52
G801 LQ 270 XXXBEU	1 x 38 = 38	96.52	93.98
G801 LQ 271 XXXBEU	1 x 37 = 37	93.98	91.44
G801 LQ 272 XXXBEU	1 x 36 = 36	91.44	88.90
G801 LQ 273 XXXBEU	1 x 35 = 35	88.90	86.36
G801 LQ 274 XXXBEU	1 x 34 = 34	86.36	83.82
G801 LQ 275 XXXBEU	1 x 33 = 33	83.82	81.28
G801 LQ 276 XXXBEU	1 x 32 = 32	81.28	78.74
G801 LQ 277 XXXBEU	1 x 31 = 31	78.74	76.20
G801 LQ 278 XXXBEU	1 x 30 = 30	76.20	73.66
G801 LQ 279 XXXBEU	1 x 29 = 29	73.66	71.12
G801 LQ 280 XXXBEU	1 x 28 = 28	71.12	68.58
G801 LQ 281 XXXBEU	1 x 27 = 27	68.58	66.04
G801 LQ 282 XXXBEU	1 x 26 = 26	66.04	63.50
G801 LQ 283 XXXBEU	1 x 25 = 25	63.50	60.96
G801 LQ 284 XXXBEU	1 x 24 = 24	60.96	58.42
G801 LQ 285 XXXBEU	1 x 23 = 23	58.42	55.88
G801 LQ 286 XXXBEU	1 x 22 = 22	55.88	53.34
G801 LQ 287 XXXBEU	1 x 21 = 21	53.34	50.80
G801 LQ 288 XXXBEU	1 x 20 = 20	50.80	48.26
G801 LQ 289 XXXBEU	1 x 19 = 19	48.26	45.72
G801 LQ 290 XXXBEU	1 x 18 = 18	45.72	43.18
G801 LQ 291 XXXBEU	1 x 17 = 17	43.18	40.64
G801 LQ 292 XXXBEU	1 x 16 = 16	40.64	38.10
G801 LQ 293 XXXBEU	1 x 15 = 15	38.10	35.56
G801 LQ 294 XXXBEU	1 x 14 = 14	35.56	33.02
G801 LQ 295 XXXBEU	1 x 13 = 13	33.02	30.48
G801 LQ 296 XXXBEU	1 x 12 = 12	30.48	27.94
G801 LQ 297 XXXBEU	1 x 11 = 11	27.94	25.40
G801 LQ 298 XXXBEU	1 x 10 = 10	25.40	22.86
G801 LQ 299 XXXBEU	1 x 9 = 9	22.86	20.32
G801 LQ 300 XXXBEU	1 x 8 = 8	20.32	17.78
G801 LQ 301 XXXBEU	1 x 7 = 7	17.78	15.24
G801 LQ 302 XXXBEU	1 x 6 = 6	15.24	12.70
G801 LQ 303 XXXBEU	1 x 5 = 5	12.70	10.16
G801 LQ 304 XXXBEU	1 x 4 = 4	10.16	7.62
G801 LQ 305 XXXBEU	1 x 3 = 3	7.62	5.08
G801 LQ 306 XXXBEU	1 x 2 = 2	5.08	2.54
<b>PART NUMBER</b>	<b>NO. OF CIRCUIT</b>	<b>A</b>	<b>B</b>



PART NO. G801LQXXXXXXBEU  
NO. OF CIRCUIT  
CONTACT FINISH  
005: 15 μ" GOLD  
010: 30 μ" GOLD  
018: FULL GOLD FLASH  
025: 5 μ" GOLD

**NOTES:**

- MATERIAL:  
HOUSING: HIGH TEMPERATURE THERMAL PLASTIC, LCP, UL94V-0, COLOR: BLACK.  
TERMINAL: COPPER ALLOY.
- FINISH:  
TERMINAL:  
CONTACT AREA: SELECTED GOLD PLATING;  
SOLDERING AREA: MATTE TIN PLATING 100 μ" THICKNESS MIN. OR GOLD FLASH;  
UNDER PLATING: NICKEL PLATING 50 μ" THICKNESS MIN. OVERALL.
- PACKING IS PER AMTA PACKING SPECIFICATION PKS-0001.
- THIS PRODUCT DOESN'T CONTAIN ENVIRONMENTAL HAZARDOUS PER DIRECTIVE 2002/95/EC FOR RoHS COMPLIANT.



**RECOMMENDED P.C.B. LAYOUT**

TOLERANCE		APPROVALS		DATE	TITLE		Amphenol®						
X.		DRAWN	Roger Tsai	08/26/2009	G801 SERIES SINGLE ROW HEADER 2.54MM PITCH, R/A PCB MOUNT		Amphenol Corporation Amphenol Taiwan Corporation						
X.X	±0.30	CHECKED	Daniel Hsieh	08/26/2009									
X.XX	±0.20	APPROVED	Roger Tsai	08/26/2009									
X.XXX	±0.10					UNIT	mm	SIZE	A3	PART No.	G801LQXXXXXXBEU		
ANGULAR	±1°	DWG TYPE	CUST DWG	PROJECT CODE	HEAD	SCALE	NA	SHEET	1 OF 1	DWG No.	G801LQXXXXXXBEU	REV.	AX3