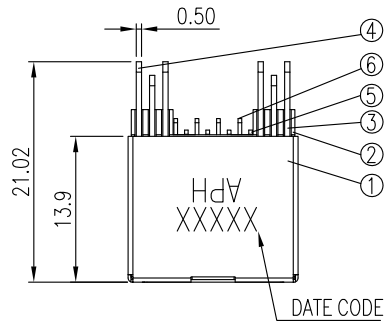


This document is the property of Amphenol Corporation and is delivered on the express condition that it is not to be disclosed, reproduced or used, in whole or in part, for manufacture or sale by anyone other than Amphenol Corporation without its prior consent, and that no right is granted to disclose or to use any information in this document.

The marking on this product doesn't contain environmental hazardous materials per Material Specification 55-00259 for Sony GP compliant or per directive 2002/95/EC for RoHS compliant.

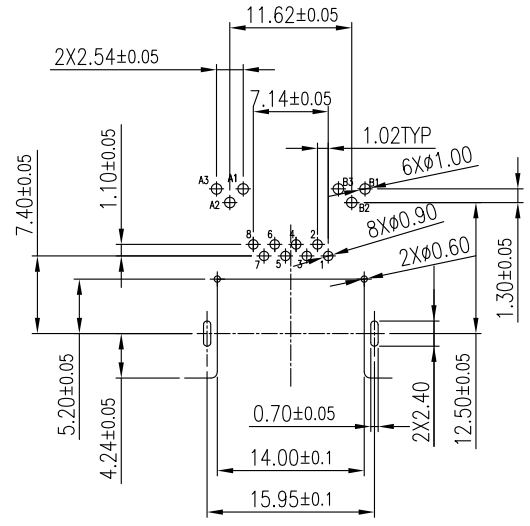
**PRELIMINARY RELEASE
SUBJECT TO CHANGE**

REVISIONS				
SYM	ECN No.	DESCRIPTION	DATE	APPROVED
AX1	NBO_3301	NON-RELEASE REVISION	08/26/2009	Roger Tsai
AX2		MODIFIED LED COLOR	08/27/2009	Roger Tsai
AX3		ADD DIMENSION	09/01/2009	Roger Tsai
AX4		MODIFIED DIMENSION	09/02/2009	Roger Tsai
AX5		MODIFIED DIMENSION	09/02/2009	Roger Tsai



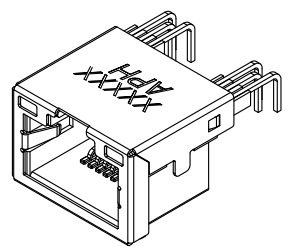
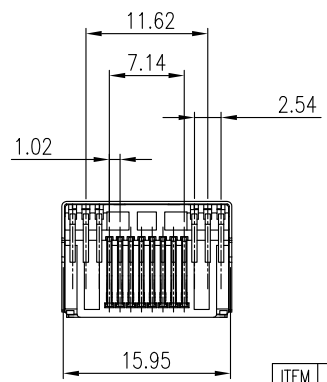
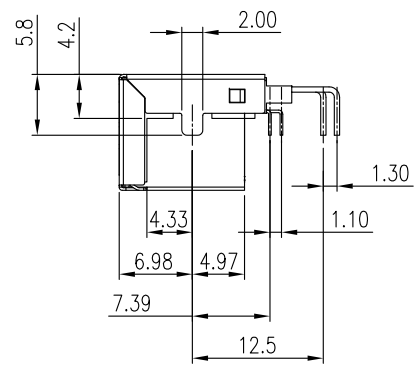
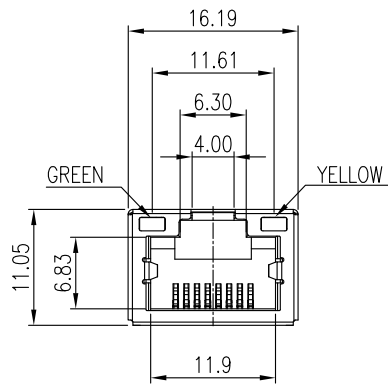
PART NO. G71B0244X21HR
 CONTACT FINISH
 1: GOLD FLASH (1~3 μ")
 2: 15 μ" GOLD
 3: 30 μ" GOLD
 4: 50 μ" GOLD

LED ELECTRICAL CHARACTERISTIC			
NODE	COLOR		
A1(+)	A3(-)	YELLOW	A1 → A3 A2: UNUSED
B1(-)	B2(+)	GREEN	B3 B1 ↔ ↔
B3(-)	B2(+)	ORANGE	
B1(-)	B2(+)	YELLOW	B2

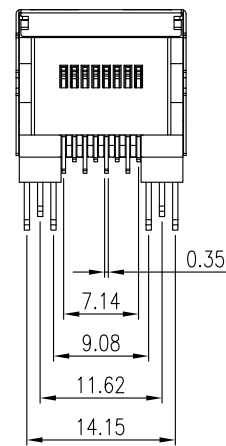


RECOMMENDED PCB LAYOUT

- NOTES:
1. MATERIAL: SEE TABLE.
 2. FINISH: SEE TABLE.
 3. PACKING IS PER AMTA PACKING SPECIFICATION PKS-0001.
 4. THIS PRODUCT IS HALOGEN FREE COMPLIANT PRODUCT.



ITEM	DESCRIPTION	MATERIAL	FINISH	Q'TY
①	SHELL	STAINLESS	NICKEL PLATING 50μ" OVERALL.	1
②	HOUSING	LIQUID CRYSTAL POLYMER, 30% GLASS FILLED, UL94V-0, COLOR: BLACK	NONE	1
③	LED	EMITTING COLOR: GREEN	NONE	1
④	LED	EMITTING COLOR: YELLOW	NONE	1
⑤	LOWER CONTACT	BRASS	SELECTED GOLD PLATED ON CONTACT AREA; MATTE TIN 100μ" MIN. ON SOLDER AREA; NICKEL 50μ" UNDER PLATING OVERALL.	4
⑥	UPPER CONTACT			4
⑦	DETECT PIN	BRASS	MATTE TIN PLATED 100μ" MIN. ON SOLDER AREA; NICKEL 50μ" UNDER PLATING OVERALL.	1



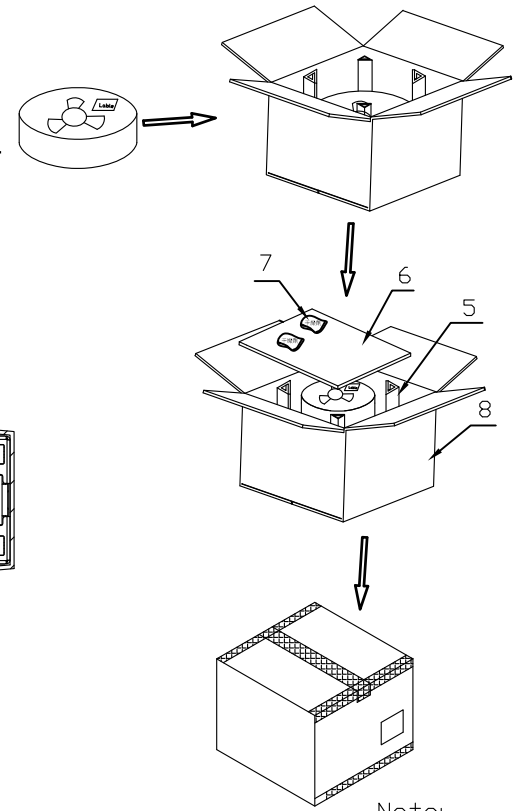
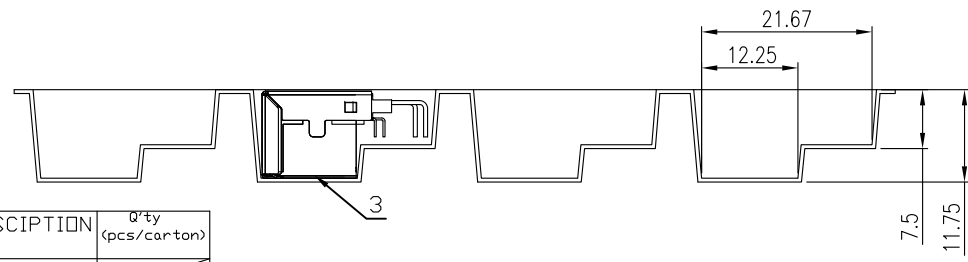
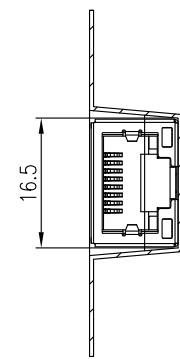
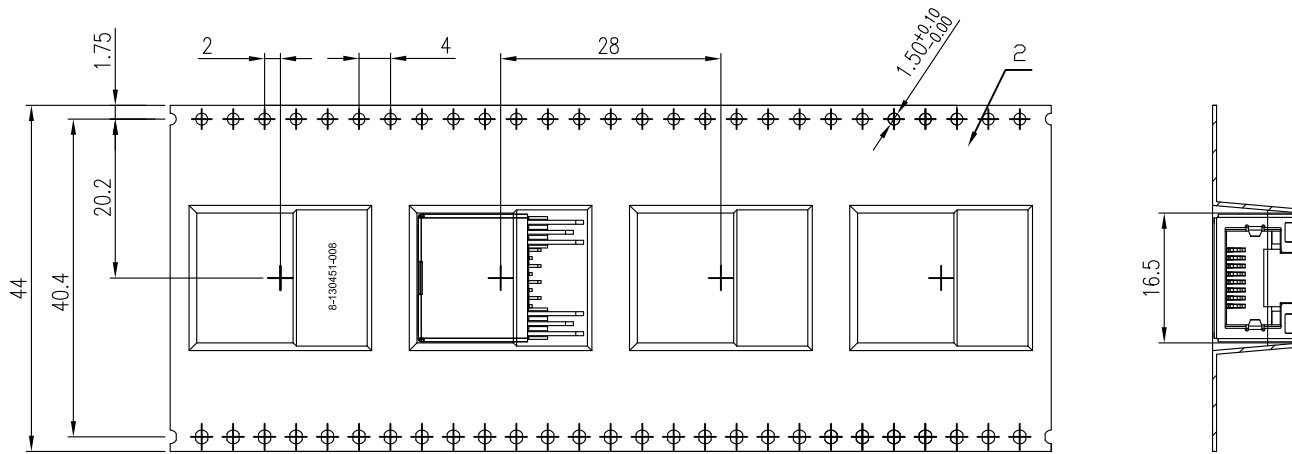
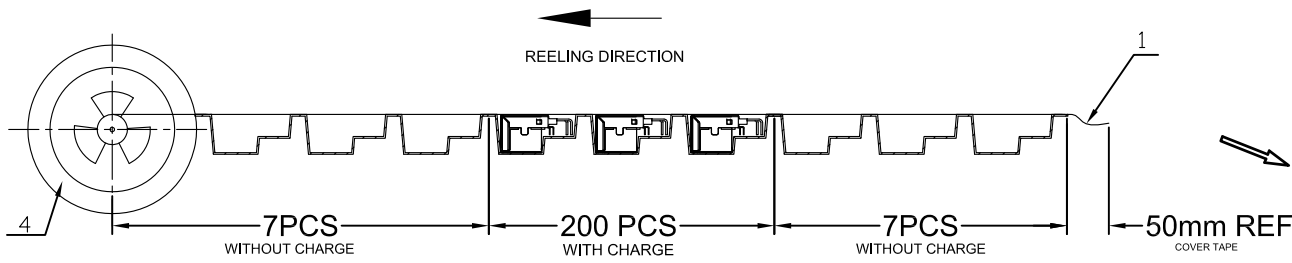
TOLERANCE	APPROVALS	DATE	TITLE	Amphenol® Amphenol Corporation Amphenol Taiwan Corporation			
X. X.X ±0.30 X.XX ±0.20 X.XXX ±0.10	DRAWN Roger Tsai	09/02/2009	RJ45 CONNECTOR R/A, DIP, SINK TYPE WITH LED, LOW PROFILE (HALOGEN FREE)	UNIT mm	SIZE A3	PART No. G71B0244X21HR	
ANGULAR ±1°	CHECKED Daniel Hsieh	09/02/2009		SCALE NA	SHEET 1 OF 2	DWG No. G71B0244X21HR	REV. AX5
UNLESS OTHERWISE SPECIFIED	APPROVED Roger Tsai	09/02/2009					
	DWG TYPE CUST DWG	PROJECT CODE MJK					

This document is the property of Amphenol Corporation and is delivered on the express condition that is not to be disclosed, reproduced or used, in whole or in part, for manufacture or sale by anyone other than Amphenol Corporation without its prior consent, and that no right is granted to disclose or to use any information in this document.

The marking on this product doesn't contain environmental hazardous materials per Material Specification 55-00259 for Sony GP compliant or per directive 2002/95/EC for RoHS compliant.

PRELIMINARY RELEASE
SUBJECT TO CHANGE

REVISIONS				
SYM	ECN No.	DESCRIPTION	DATE	APPROVED
AX1	NBO_2385	NON-RELEASE REVISION	08/26/2009	Roger Tsai
AX2		MODIFIED LED COLOR	08/27/2009	Roger Tsai
AX3		ADD DIMENSION	09/01/2009	Roger Tsai
AX4		MODIFIED DIMENSION	09/02/2009	Roger Tsai
AX5		MODIFIED DIMENSION	09/02/2009	Roger Tsai



Note:
1. 200pcs/Reel
2. 6 Reel/Carton
3. Total:1200pcs.

NO.	NAME	DISCIPTION	Q'ty (pcs/carton)
1	COVER TAPE	W=37.5mm	
2	CARRIER TAPE	W=44mm	
3	RJ45	R/A DIP TYPE	200
4	REEL	330*100*44.5	6
5	ARRIS PAPER	89*89*300	4
6	FROTH PLASTIC	334*334*10	2
7	DESICCANT	10g/bag	2
8	CARTON	350*350*340mm	1

TOLERANCE		APPROVALS		DATE	TITLE		Amphenol®			
X.		DRAWN Roger Tsai		09/02/2009	RJ45 CONNECTOR R/A, DIP, SINK TYPE WITH LED, LOW PROFILE (HALOGEN FREE)		Amphenol Corporation Amphenol Taiwan Corporation			
X.X	±0.30	CHECKED Daniel Hsieh		09/02/2009		UNIT mm	SIZE A3	PART No. G71B0244X21HR		
X.XX	±0.20	APPROVED Roger Tsai		09/02/2009		SCALE NA	SHEET 2 OF 2	DWG No. G71B0244X21HR		
X.XXX	±0.10							REV. AX5		
ANGULAR ±1°		DWG TYPE CUST DWG		PROJECT CODE MJK						
UNLESS OTHERWISE SPECIFIED										