

This document is the property of Amphenol Corporation and is delivered on the express condition that is not to be disclosed, reproduced or used, in whole or in part, for manufacture or sale by anyone other than Amphenol Corporation without its prior consent, and that no right is granted to disclose or to use any information in this document.

The marking on this product doesn't contain environmental hazardous materials per Material Specification 55-00259 for Sony GP compliant or per directive 2002/95/EC for RoHS compliant.

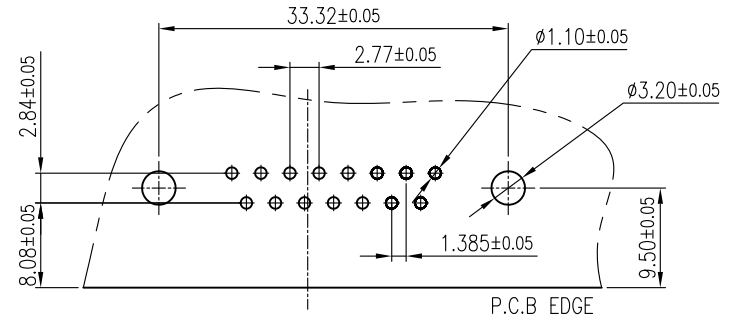
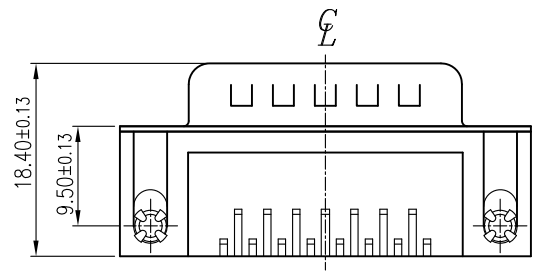
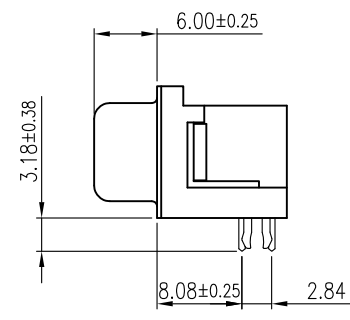
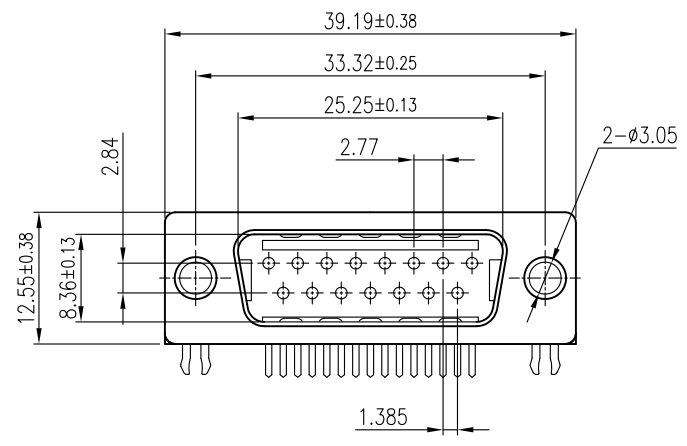
REVISIONS				
SYM	ECN No.	DESCRIPTION	DATE	APPROVED
AX1		NON-RELEASE REVISION	09/22/2009	Roger Tsai
AX2		MODIFIED COLOR (BLUE -->BLACK)	09/23/2009	Roger Tsai

PART NO. G17C151X210EU

CONTACT FINISH
 0: GOLD FLASH
 1: 15 μ" GOLD
 2: 30 μ" GOLD

NOTES:

- MATERIAL:
 HOUSING:
 THERMOPLASTIC, UL 94V-0, COLOR: BLACK.
 COVER:
 THERMOPLASTIC, UL 94V-0, COLOR: BLACK.
 TERMINAL: COPPER ALLOY.
 SHELL: SPCC.
 BOARDLOCK: COPPER ALLOY.
 RIVET & SCREW: COPPER ALLOY.
- FINISH:
 TERMINAL:
 CONTACT AREA: SELECTED GOLD PLATING;
 SOLDER TAIL: TIN PLATING 100 μ" MINIMUM;
 UNDER PLATING: NICKEL PLATING 50 μ" MINIMUM OVERALL.
 SHELL:
 NICKEL PLATING 80 μ" MINIMUM OVER CU 60 μ" MINIMUM
 BOARDLOCK:
 TIN PLATING 100 μ" MINIMUM OVER NICKEL 50 μ" MINIMUM
 RIVET & SCREW:
 NICKEL PLATING 80 μ" MINIMUM OVER CU 60 μ" MINIMUM
- PACKING IS PER AMTA PACKING SPECIFICATION PKS-0001.
- THIS PRODUCT IS LEAD-FREE & RoHS COMPLIANT PRODUCT.



RECOMMENDED P.C.B. LAYOUT

**PRELIMINARY RELEASE
 SUBJECT TO CHANGE**

TOLERANCE	APPROVALS	DATE	TITLE		Amphenol®	
X. ±0.30	DRAWN Roger Tsai	09/23/2009	D-SUB 15P RIGHT ANGLE TYPE, 8.08 MM FOOTPRINT, SOLDER TAIL=3.18 MM		Amphenol Corporation Amphenol Taiwan Corporation	
X.X ±0.20	CHECKED Daniel Hsieh	09/23/2009				
X.XXX ±0.10	APPROVED Roger Tsai	09/23/2009				
ANGULAR ±1°	DWG TYPE CUST DWG	PROJECT CODE DSUB	UNIT mm	SIZE A3	PART No. G17C151X210EU	
UNLESS OTHERWISE SPECIFIED			SCALE NA	SHEET 1 OF 1	DWG No. G17C151X210EU REV. AX2	