

This document is the property of Amphenol Corporation and is delivered on the express condition that it is not to be disclosed, reproduced or used, in whole or in part, for manufacture or sale by anyone other than Amphenol Corporation without its prior consent, and that no right is granted to disclose or to use any information in this document.

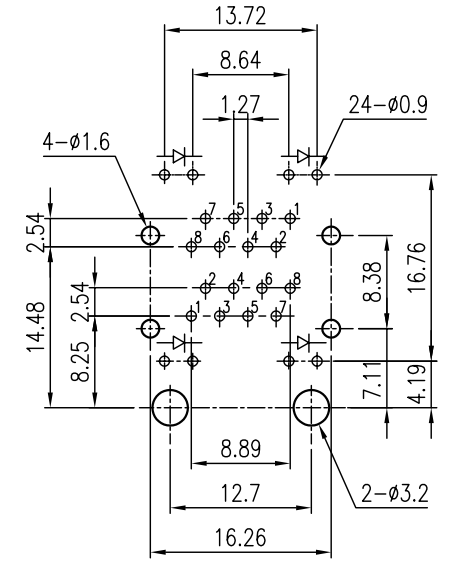
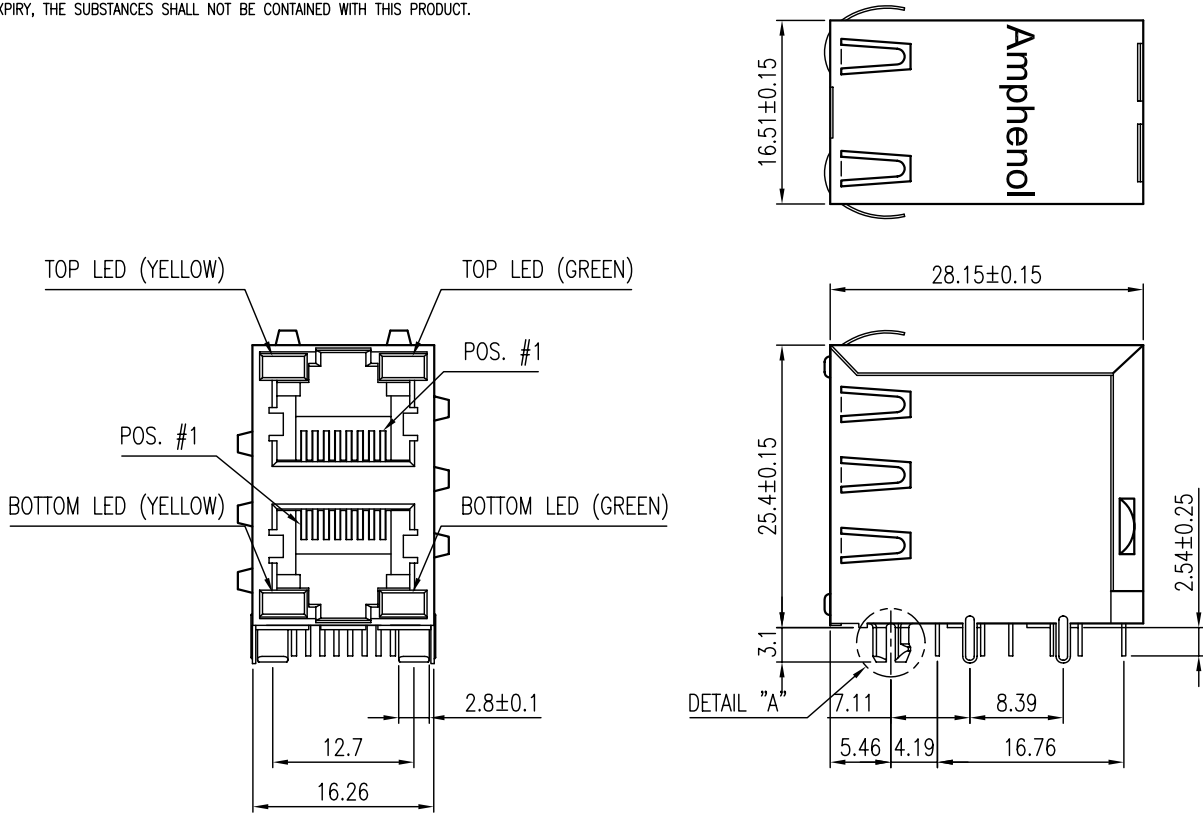
MFG CODE: VSUNJ1

\*\* THIS PRODUCT DIDN'T HAVE ENVIRONMENT- RELATED SUBSTANCES PER MATERIALS SPECIFICATION #MS-S001, LEVEL 1. WHEN THE TIME SET SCHEDULE OF LEVEL 2 IS EXPIRY, THE SUBSTANCES SHALL NOT BE CONTAINED WITH THIS PRODUCT.

# CUSTOMER DRAWING

REVISIONS				
SYM	ECN No.	DESCRIPTION	DATE	APPROVED
A1	NE-02A18	ADDING THE DIMENSIONS OF BOARDLOCK	10/25/2002	Arthur Huang
B1	NE-02A20	DELETE DIMENSION 2.75±0.25 OF TAIL LENGTH	10/28/2002	Arthur Huang
C1	NE-03204	ADDING 2 HOLES ON BOTTOM OF INSERT	03/06/2003	Arthur Huang

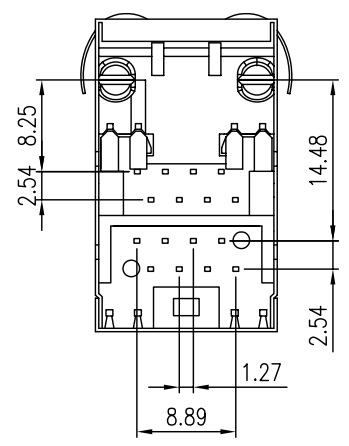
# ORIGINAL



RECOMMENDED PCB LAYOUT  
(ALL TOLERANCES ARE ±0.05)

### NOTES:

- INSULATOR: NYLON-46, UL94V-0, COLOR- BLACK
- CONTACT: PHOSPHOR BRONZE, 0.35 MM THICKNESS  
SELECTIVE GOLD PLATED ON CONTACT AREA,  
AND TIN/LEAD PLATED ON SOLDER AREA
- SHIELDED: COPPER ALLOY, TIN/LEAD PLATED, 0.25MM THICKNESS



G71H 00194	50 u" GOLD
G71H 00193	30 u" GOLD
G71H 00192	15 u" GOLD
G71H 00191	6 u" GOLD
G71H 00190	GOLD FLASH
PART NUMBER	PLATED

TOLERANCE	m/m	APPROVALS	DATE	TITLE	Amphenol® Amphenol Corporation Amphenol Taiwan Corporation	
x.	±0.30	DRAWN Sondra Sang	03/06/03	G71H SERIES	SCALE	N.A.
x.x	±0.25	CHECKED Ivy Hsu	03/06/03	MULTI-PORT JACKS, STACKED	SHEET	1 OF 1
x.xx	±0.15	APPROVED Fido Wong for	03/06/03	2x1- PORT, SIDE ENTRY	DRAWING NO.	MJK-G71H0019X-04
x.xxx	±0.08			8P8C, W/ SHIELDED & LED	REV.	C1
ANGULAR	±2°					
UNLESS OTHERWISE SPECIFIED			UNIT MM	SIZE A3	PART NO.	G71H 0019X