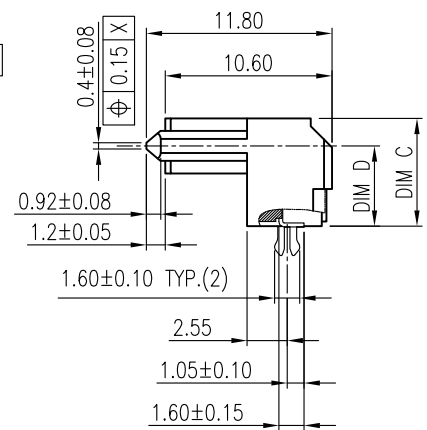
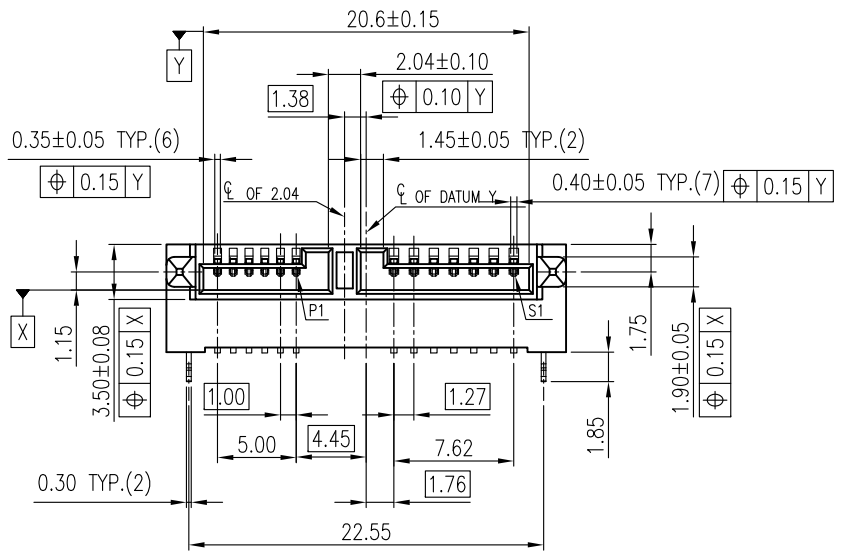
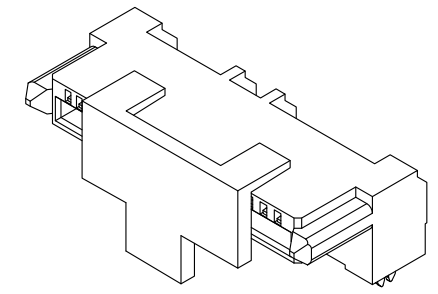
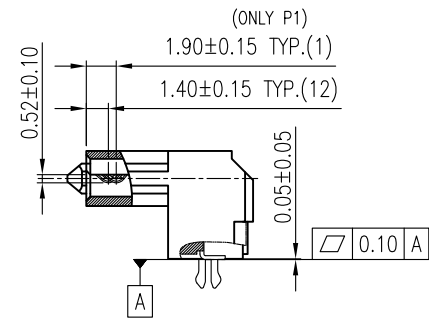
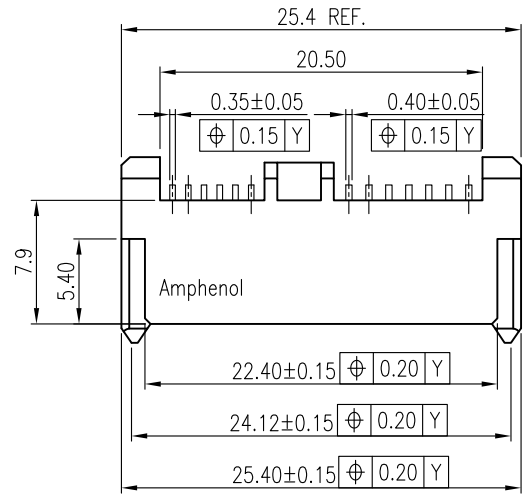


This document is the property of Amphenol Corporation and is delivered on the express condition that it is not to be disclosed, reproduced or used, in whole or in part, for manufacture or sale by anyone other than Amphenol Corporation without its prior consent, and that no right is granted to disclose or to use any information in this document.

The marking on this product doesn't contain environmental hazardous materials per Material Specification SS-00259 for Sony GP compliant or per directive 2002/95/EC for RoHS compliant.

REVISIONS				
SYM	ECN No.	DESCRIPTION	DATE	APPROVED
AX1		NON-RELEASE REVISION	08/12/2009	Roger Tsai

PRELIMINARY RELEASE
SUBJECT TO CHANGE

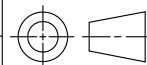


PART NO. G16E5X110XEU

CONTACT FINISH
 0: GOLD FLASH
 1: 15 μ" GOLD
 2: 30 μ" GOLD

CENTER HEIGHT
 L: 5.35 MM
 M: 5.85 MM

P/N	DIM C	DIM D	DIM E
G16E5X110LEU	7.10	5.35	7.90
G16E5X110MEU	7.60	5.85	8.40

TOLERANCE		APPROVALS		DATE	TITLE		Amphenol®			
X.		DRAWN Roger Tsai		08/12/2009	SLIMLINE SATA RECEPTACLE CONNECTOR		Amphenol Corporation Amphenol Taiwan Corporation			
X.X	±0.30	CHECKED Daniel Hsieh		08/12/2009	REVERSE WITH CLIP SMT TYPE,					
X.XX	±0.20	APPROVED Roger Tsai		08/12/2009	 UNIT mm SIZE A3 SCALE NA SHEET 1 OF 2		PART No.	G16E5X110XEU		
X.XXX	±0.10	DWG TYPE CUST DWG		PROJECT CODE SKT			DWG No.	G16E5X110XEU		REV.
ANGULAR ±1°										
UNLESS OTHERWISE SPECIFIED										

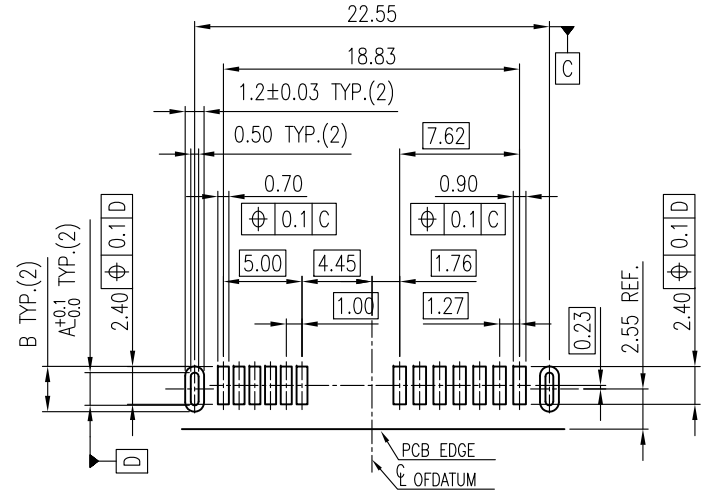
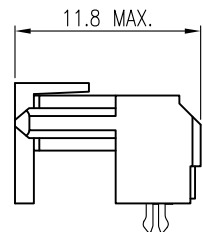
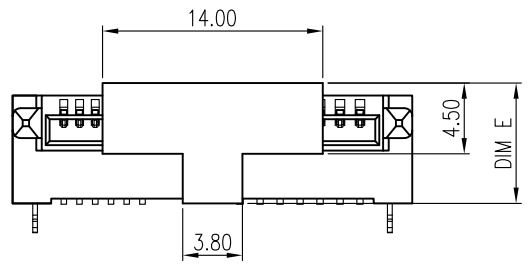
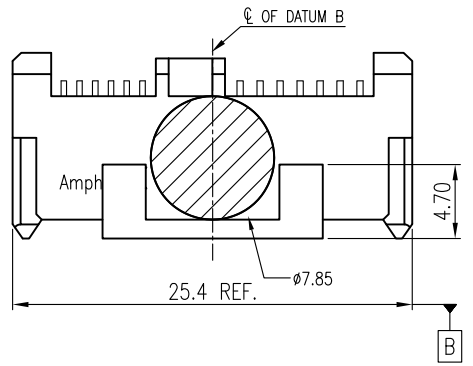
This document is the property of Amphenol Corporation and is delivered on the express condition that is not to be disclosed, reproduced or used, in whole or in part, for manufacture or sale by anyone other than Amphenol Corporation without its prior consent, and that no right is granted to disclose or to use any information in this document.

The marking on this product doesn't contain environmental hazardous materials per Material Specification SS-00259 for Sony GP compliant or per directive 2002/95/EC for RoHS compliant.

**PRELIMINARY RELEASE
SUBJECT TO CHANGE**

REVISIONS				
SYM	ECN No.	DESCRIPTION	DATE	APPROVED
AX1		NON-RELEASE REVISION	08/12/2009	Roger Tsai

- NOTES:
- MATERIAL:
HOUSING & CAP: LIQUID CRYSTAL POLYMER,6130(L),30% GLASS FIBER FILLED, UL94V-0, BLACK COLOR.
TERMINAL: COPPER ALLOY.
ALIGNER: LIQUID CRYSTAL POLYMER,6130(L),30% GLASS FIBER FILLED, UL94V-0, BLACK COLOR.
NUT: ZINC ALLOY.
 - PLATING:
TERMINAL:
CONTACT AREA: SELECTED GOLD PLATING;
SOLDERING AREA: TIN PLATING 100 μ" THICKNESS MIN.;
UNDER PLATING: NICKEL PLATING 50 μ" THICKNESS MIN. OVERALL.
NUT: NICKEL PLATING 50 μ" THICKNESS MIN. AND COPPER UNDER PLATING 50 μ" THICKNESS MIN. OVERALL.
 - PACKING IS PER AMTA PACKING SPECIFICATION PKS-0001.
 - THIS PRODUCT DOESN'T CONTAIN ENVIRONMENTAL HAZARDOUS PER DIRECTIVE 2002/95/EC FOR RoHS COMPLIANT.



RECOMMENDED PC BOARD LAYOUT
TOLERANCE: ±0.05mm(TOP VIEW)

CLIP FUNCTION AVAILABLE		CLIP FUNCTION UNAVAILABLE	
DIM A	DIM B	DIM A	DIM B
1.4	2.1	1.75	2.45

TOLERANCE	APPROVALS	DATE	TITLE	Amphenol®			
X. ±0.30	DRAWN Roger Tsai	08/12/2009	SLIMLINE SATA RECEPTACLE CONNECTOR REVERSE WITH CLIP SMT TYPE,	Amphenol Corporation			
X.X ±0.20	CHECKED Daniel Hsieh	08/12/2009		Amphenol Taiwan Corporation			
X.XXX ±0.10	APPROVED Roger Tsai	08/12/2009		UNIT mm	SIZE A3	PART No. G16E5X110XEU	
ANGULAR ±1°	DWG TYPE CUST DWG	PROJECT CODE SKT		SCALE NA	SHEET 2 OF 2	DWG No. G16E5X110XEU	
UNLESS OTHERWISE SPECIFIED							