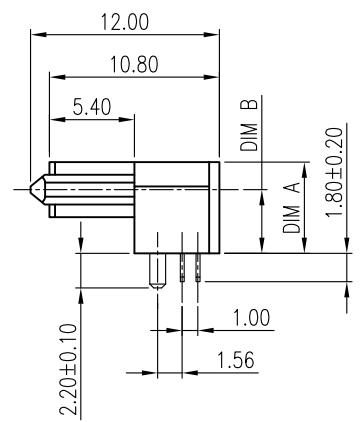
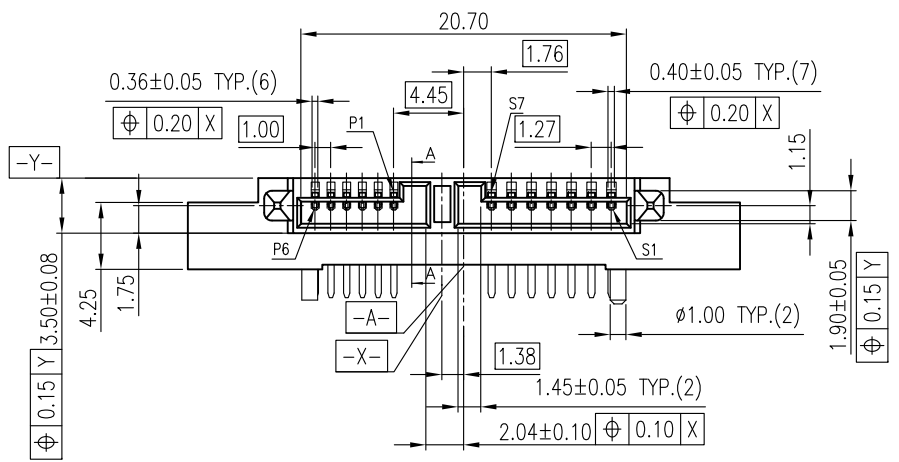
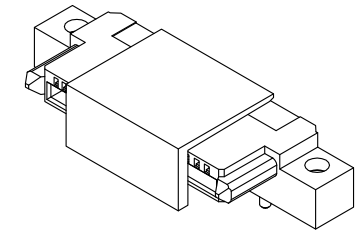
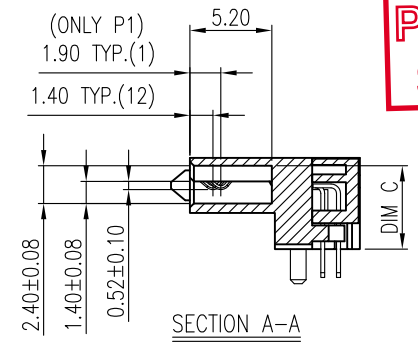
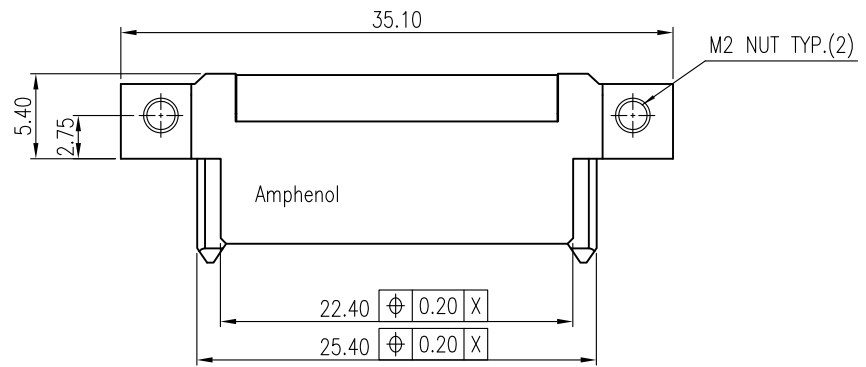


This document is the property of Amphenol Corporation and is delivered on the express condition that is not to be disclosed, reproduced or used, in whole or in part, for manufacture or sale by anyone other than Amphenol Corporation without its prior consent, and that no right is granted to disclose or to use any information in this document.

The marking on this product doesn't contain environmental hazardous materials per Material Specification 55-00259 for Sony GP compliant or per directive 2002/95/EC for RoHS compliant.

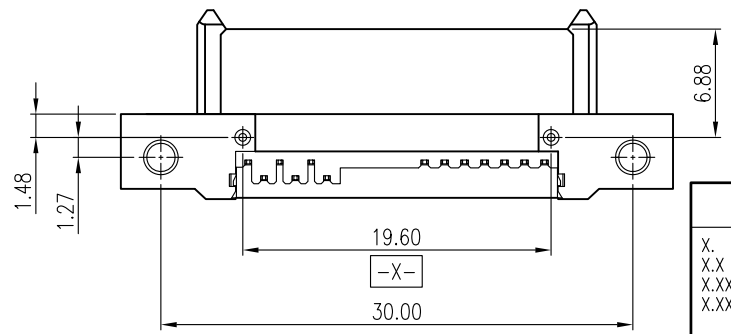
REVISIONS				
SYM	ECN No.	DESCRIPTION	DATE	APPROVED
AX1		NON-RELEASE REVISION	08/04/2009	Roger Tsai

**PRELIMINARY RELEASE
SUBJECT TO CHANGE**



PART NO. G16E7X230XEU
 CONTACT FINISH: O: GOLD FLASH, 1: 15 μ" GOLD, 2: 30 μ" GOLD
 CENTER HEIGHT: F: 4.05 MM, G: 5.55 MM, H: 9.05 MM

P/N	DIM A	DIM B	DIM C	DIM D
G16E7X230FEU	5.80	4.05	5.30	6.70
G16E7X230GEU	7.30	5.55	6.80	8.20
G16E7X230HEU	10.80	9.05	10.30	11.70

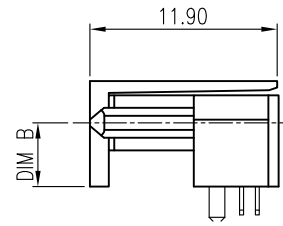
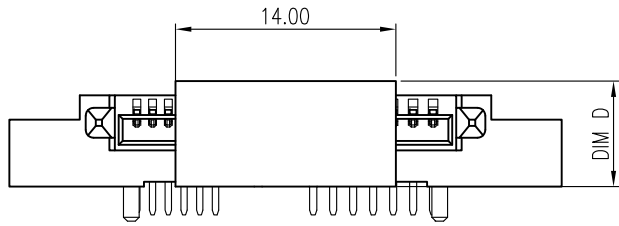


TOLERANCE	APPROVALS	DATE	TITLE	Amphenol® Amphenol Corporation Amphenol Taiwan Corporation			
X. ±0.30 X.X ±0.20 X.XX ±0.20 X.XXX ±0.10	DRAWN Roger Tsai CHECKED Daniel Hsieh APPROVED Roger Tsai	08/04/2009 08/04/2009 08/04/2009	SLIMLINE SATA RECEPTACLE CONNECTOR REVERSE TYPE WITH NUT & CLIP	UNIT mm	SIZE A3	PART No. G16E7X230XEU	
ANGULAR ±1°	DWG TYPE CUST DWG	PROJECT CODE SKT		SCALE NA	SHEET 1 OF 2	DWG No. G16E7X230XEU	REV. AX1
UNLESS OTHERWISE SPECIFIED							

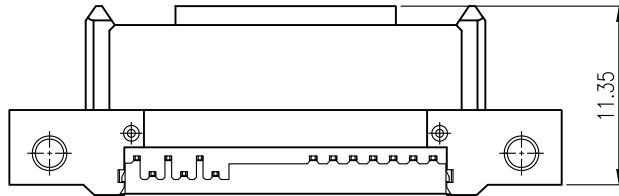
This document is the property of Amphenol Corporation and is delivered on the express condition that is not to be disclosed, reproduced or used, in whole or in part, for manufacture or sale by anyone other than Amphenol Corporation without its prior consent, and that no right is granted to disclose or to use any information in this document.

The marking on this product doesn't contain environmental hazardous materials per Material Specification 55-00259 for Sony GP compliant or per directive 2002/95/EC for RoHS compliant.

REVISIONS				
SYM	ECN No.	DESCRIPTION	DATE	APPROVED
AX1		NON-RELEASE REVISION	08/04/2009	Roger Tsai

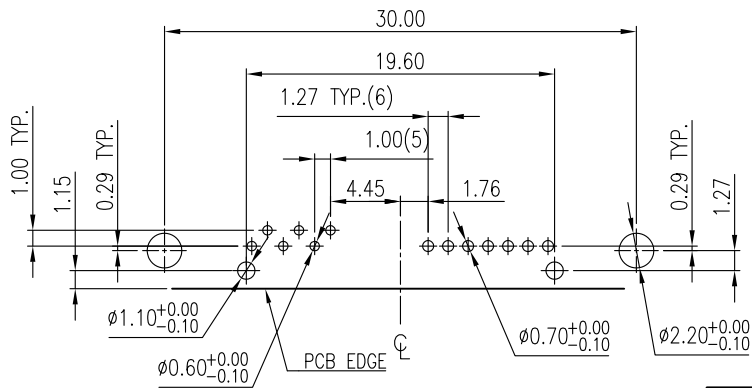


**PRELIMINARY RELEASE
SUBJECT TO CHANGE**

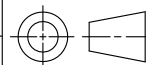


NOTES:

- 1.MATERIAL:
HOUSING & CAP: LIQUID CRYSTAL POLYMER,6130(L),30% GLASS FIBER FILLED, UL94V-0, BLACK COLOR.
TERMINAL: COPPER ALLOY.
ALIGNER: LIQUID CRYSTAL POLYMER,6130(L),30% GLASS FIBER FILLED, UL94V-0, BLACK COLOR.
NUT: ZINC ALLOY.
- 2.PLATING:
TERMINAL:
CONTACT AREA: SELECTED GOLD PLATING;
SOLDERING AREA: TIN PLATING 100 μ" THICKNESS MIN.;
UNDER PLATING: NICKEL PLATING 50 μ" THICKNESS MIN.OVERALL.
NUT: NICKEL PLATING 50 μ" THICKNESS MIN.AND COPPER UNDER PLATING 50 μ" THICKNESS MIN.OVERALL.
3. PACKING IS PER AMTA PACKING SPECIFICATION PKS-0001.
4. THIS PRODUCT DOESN'T CONTAIN ENVIRONMENTAL HAZARDOUS PER DIRECTIVE 2002/95/EC FOR RoHS COMPLIANT.



RECOMMENDED PC BOARD LAYOUT
TOLERANCE:±0.05mm(TOP VIEW)

TOLERANCE		APPROVALS		DATE	TITLE		Amphenol®			
X.		DRAWN Roger Tsai		08/04/2009	SLIMLINE SATA RECEPTACLE CONNECTOR		Amphenol Corporation			
X.X	±0.30	CHECKED Daniel Hsieh		08/04/2009	REVERSE TYPE WITH NUT & CLIP		Amphenol Taiwan Corporation			
X.XX	±0.20	APPROVED Roger Tsai		08/04/2009		UNIT mm	SIZE A3	PART No. G16E7X230XEU		
X.XXX	±0.10	DWG TYPE CUST DWG		PROJECT CODE SKT		SCALE NA	SHEET 2 OF 2	DWG No. G16E7X230XEU		REV. AX1
ANGULAR	±1°	UNLESS OTHERWISE SPECIFIED								